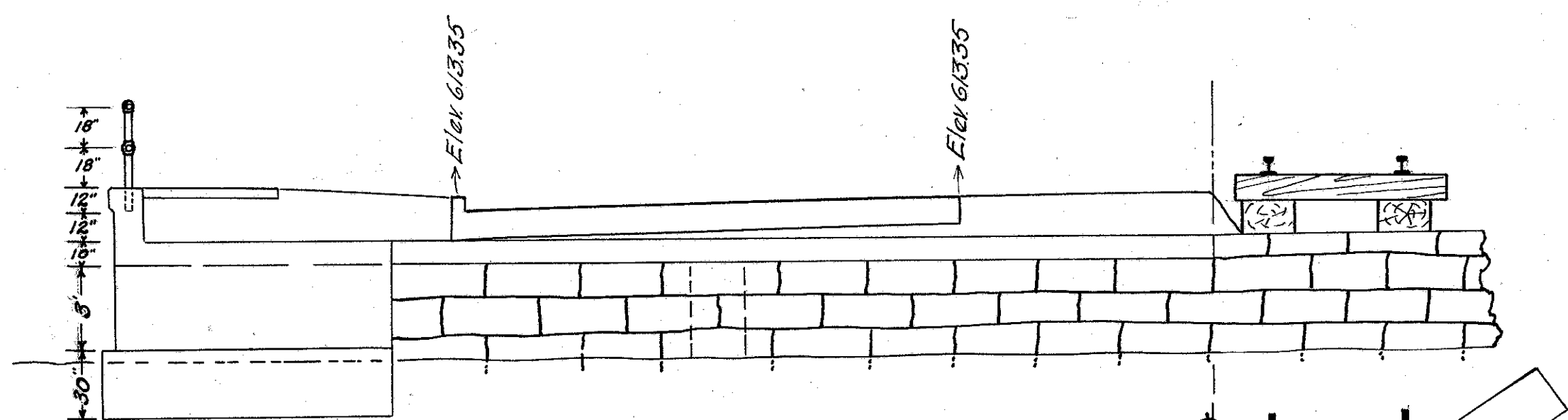
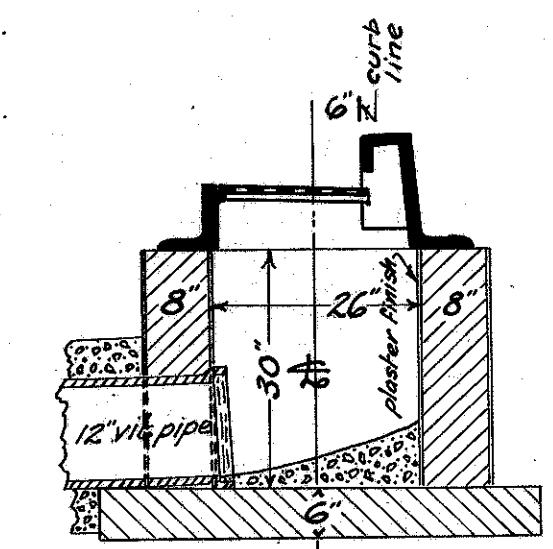


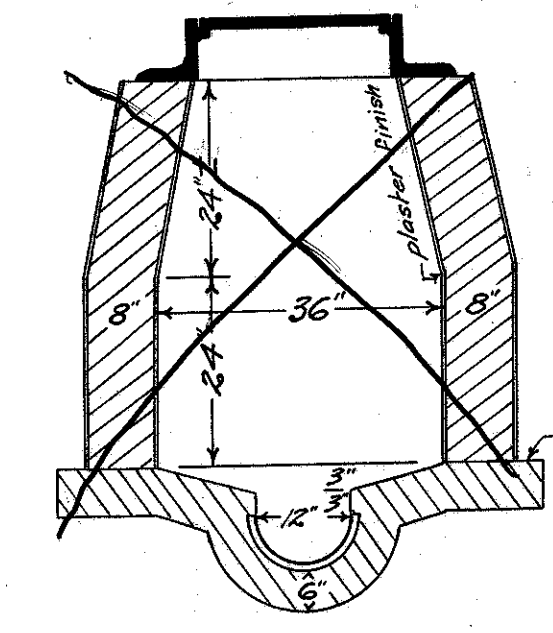
I.G.H. No 520 SEG. A
LAKE COUNTY



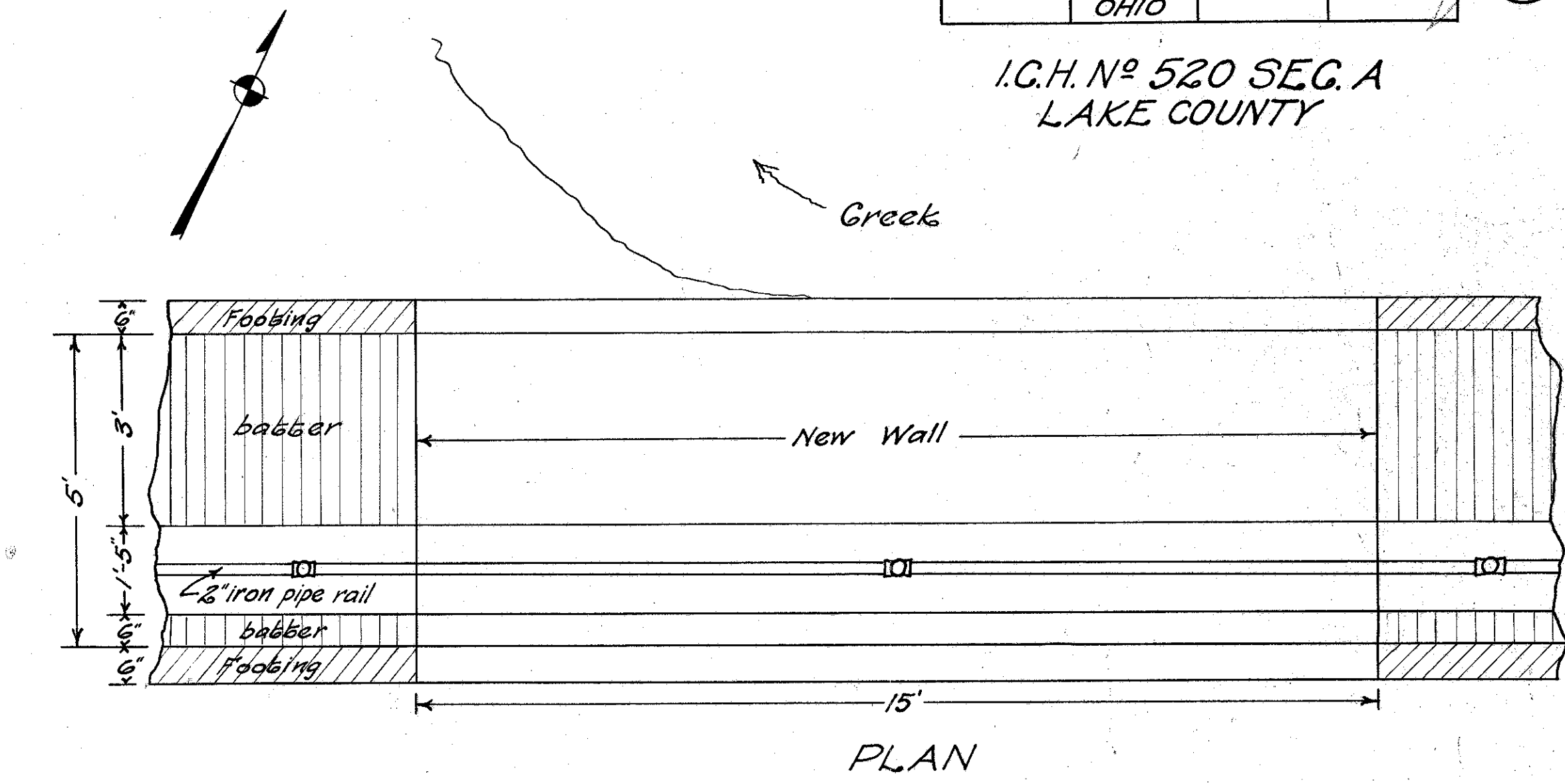
SIDE ELEVATION



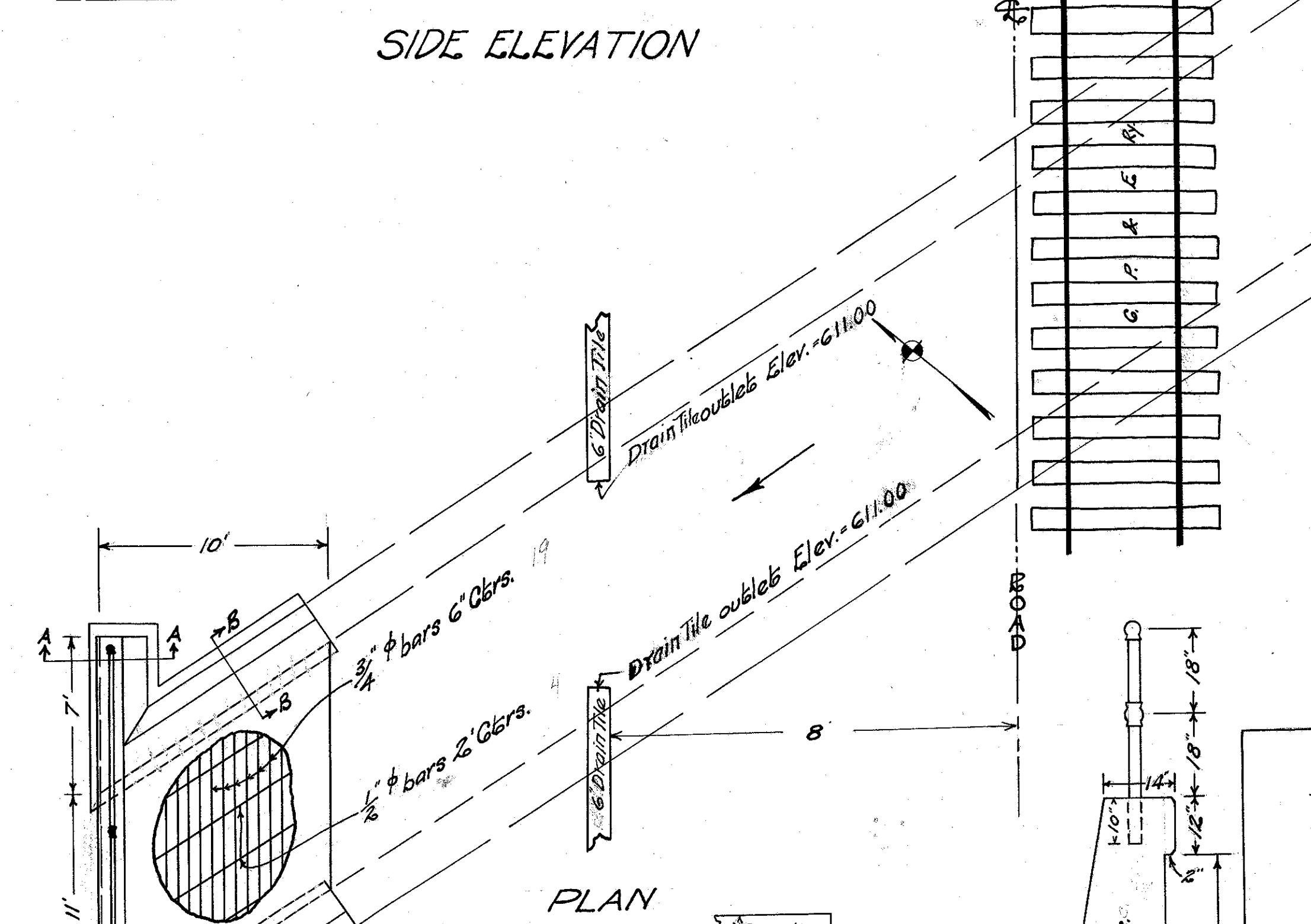
Section thru standard Inlet Basin



Section thru standard Manhole



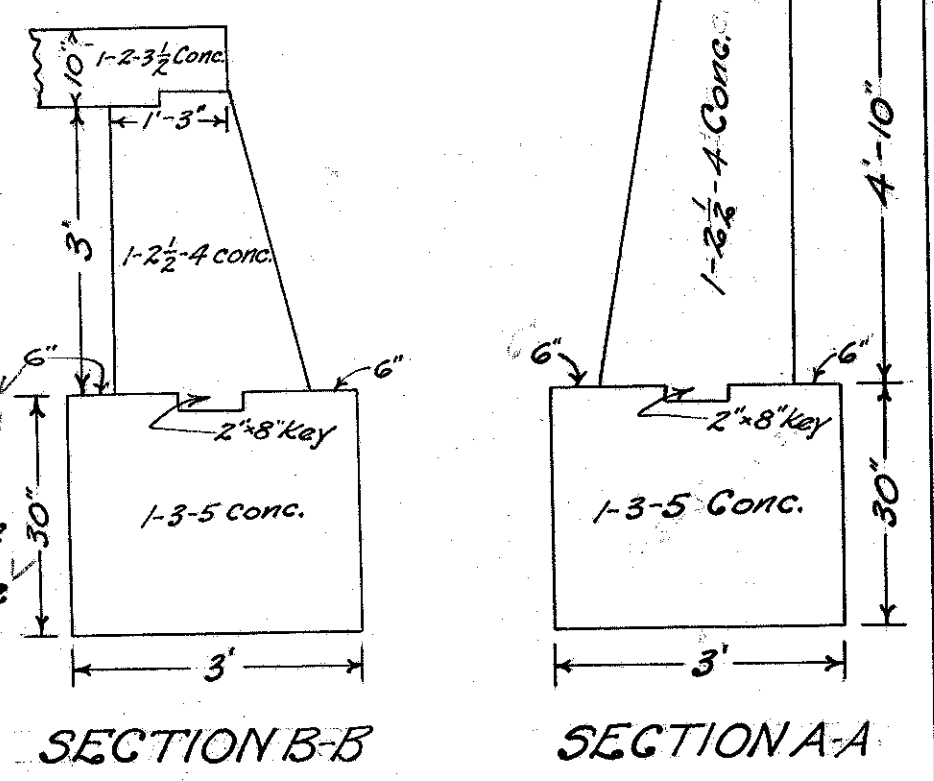
PLAN



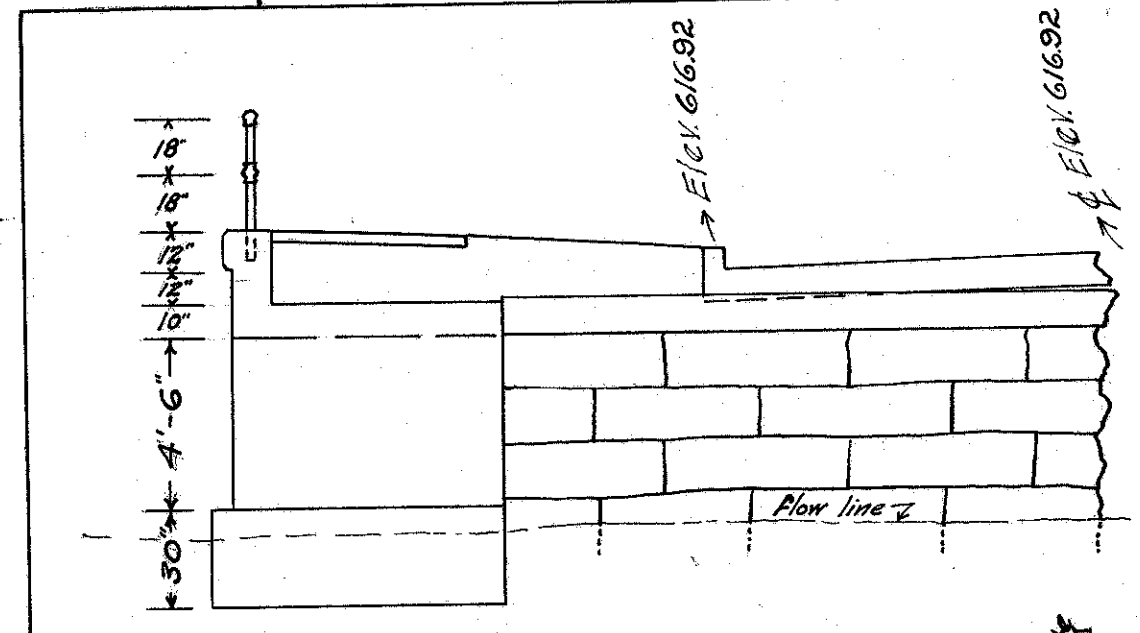
PLAN

QUANTITIES
 13 cu.yds. excavation
 393 lbs. reinforcing steel
 24 lin. ft. 2" gal. iron pipe rail
 945 cu.yds. 1-3-5 concrete
 9.5 cu.yds. 1-2 1/2-4 concrete
 4.3 cu.yds. 1-2-3 1/2 concrete
 checked Fred E Swinford
 Date 6-21-26

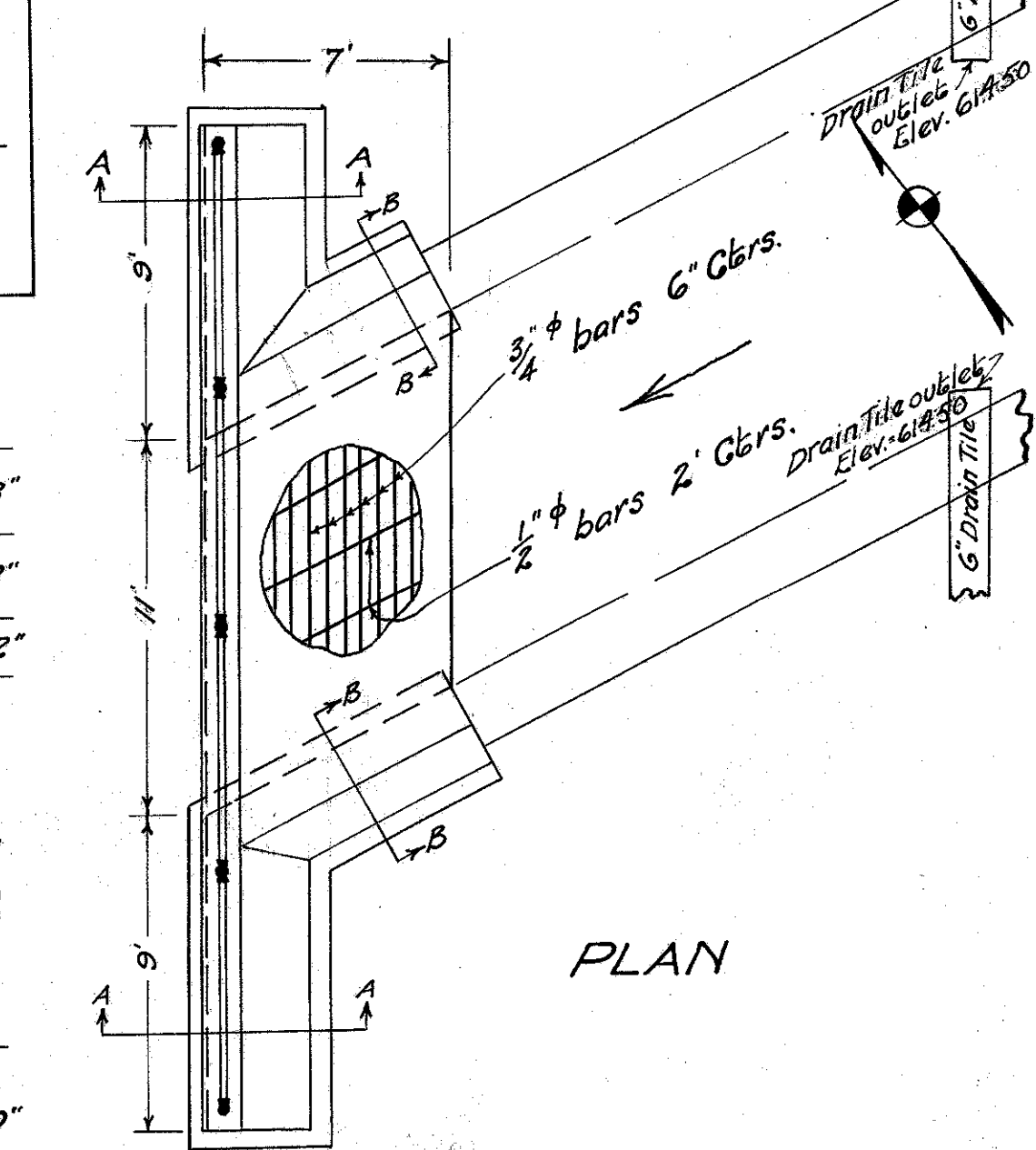
EXTENSION TO CULVERT AT 10+15 SECTION B-B



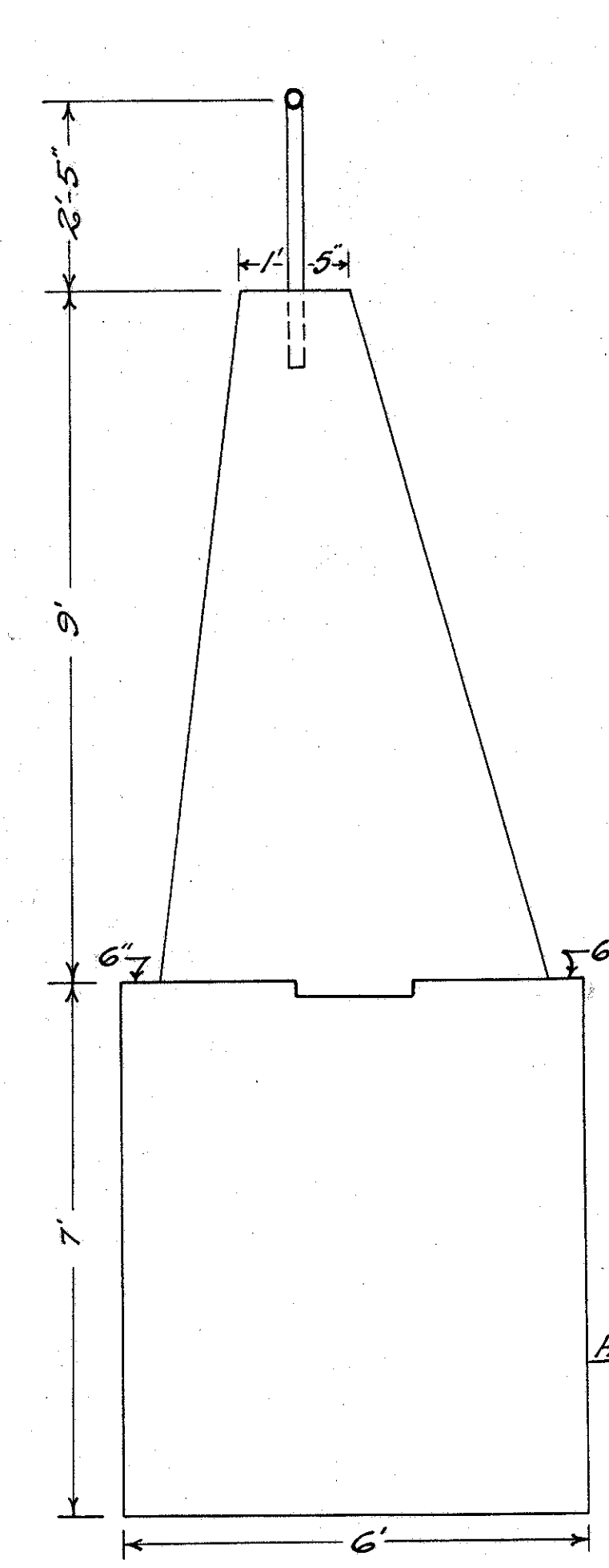
SECTION A-A



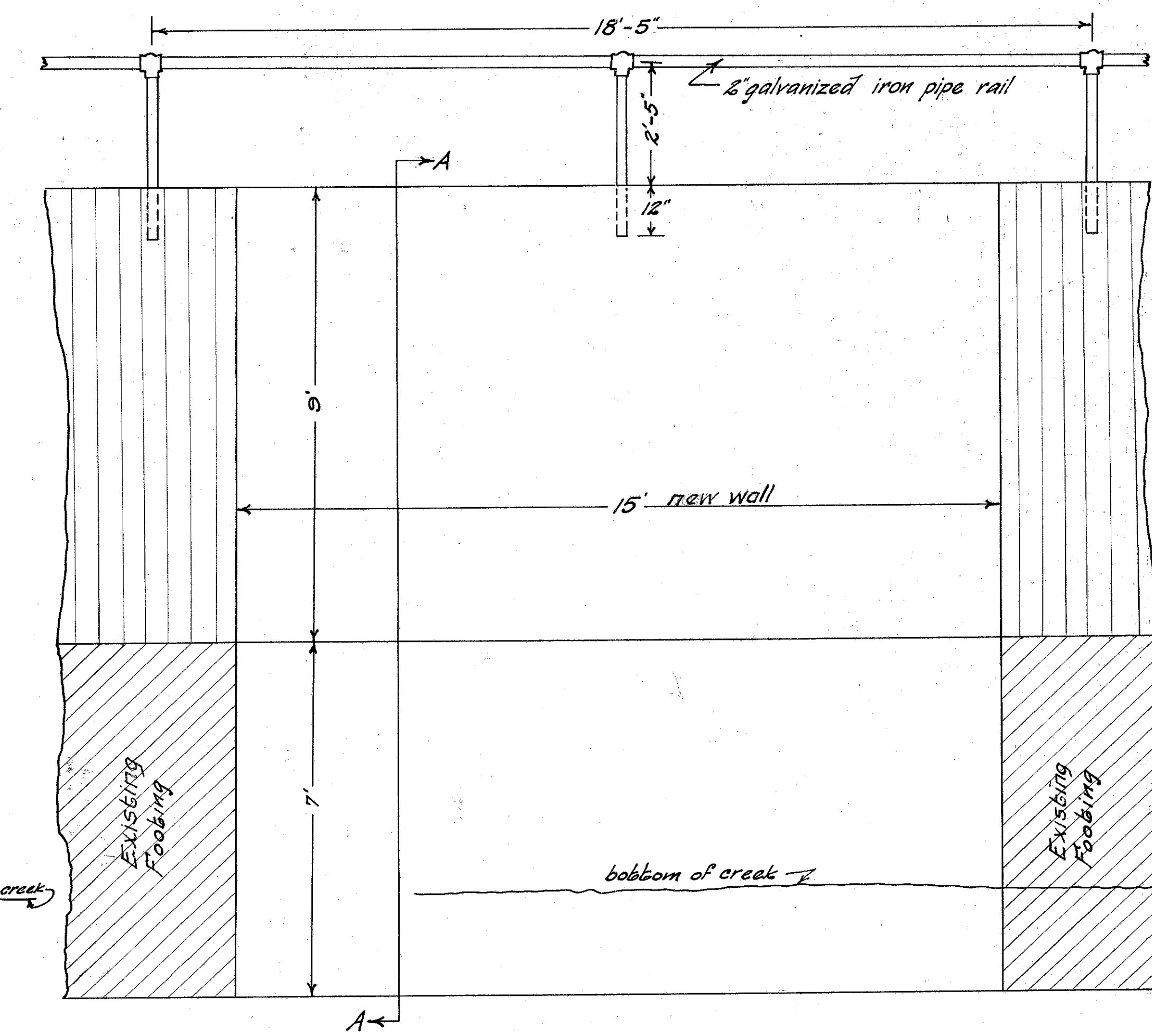
SIDE ELEVATION



PLAN



SECTION A-A



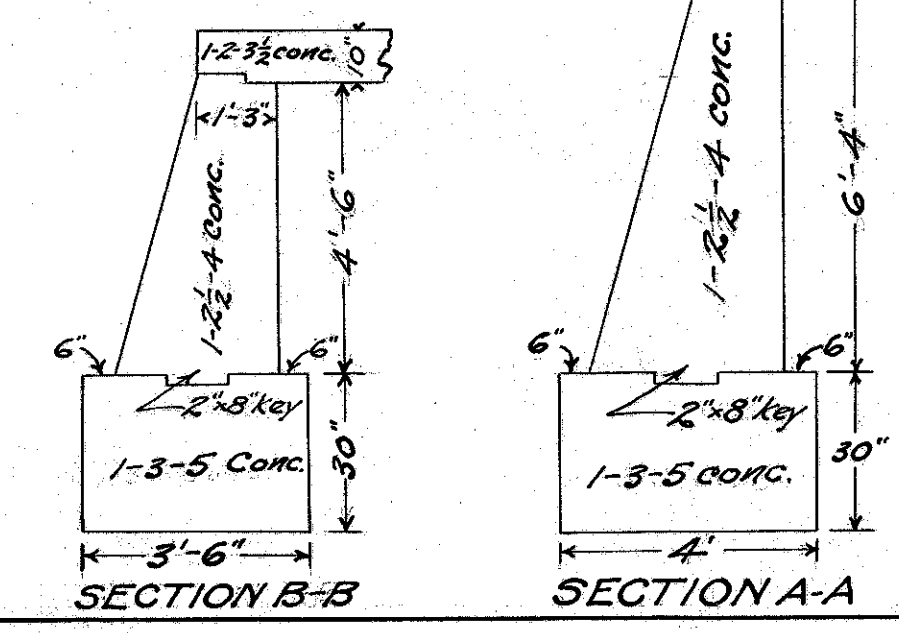
FRONT ELEVATION

WALL AT STA. 3+30 TO 3+45 ON LEFT

QUANTITIES
 25.0 cu.yds. excavation
 23.3 cu.yds. 1-3-5 concrete
 16.0 cu.yds. 1-2 1/2-4 concrete
 18.5 lin. ft. 2" galvanized iron pipe railing
 checked Fred E Swinford
 Date 6-21-26

QUANTITIES
 18 cu.yds. excavation
 279 lbs. reinforcing steel
 28 lin. ft. 2" gal. iron pipe rail
 10.7 cu.yds. 1-3-5 concrete
 13.6 cu.yds. 1-2 1/2-4 concrete
 2.4 cu.yds. 1-2-3 1/2 concrete
 checked Fred E Swinford
 Date 6-21-26

EXTENSION TO CULVERT AT 28+25



SECTION B-B

SECTION A-A