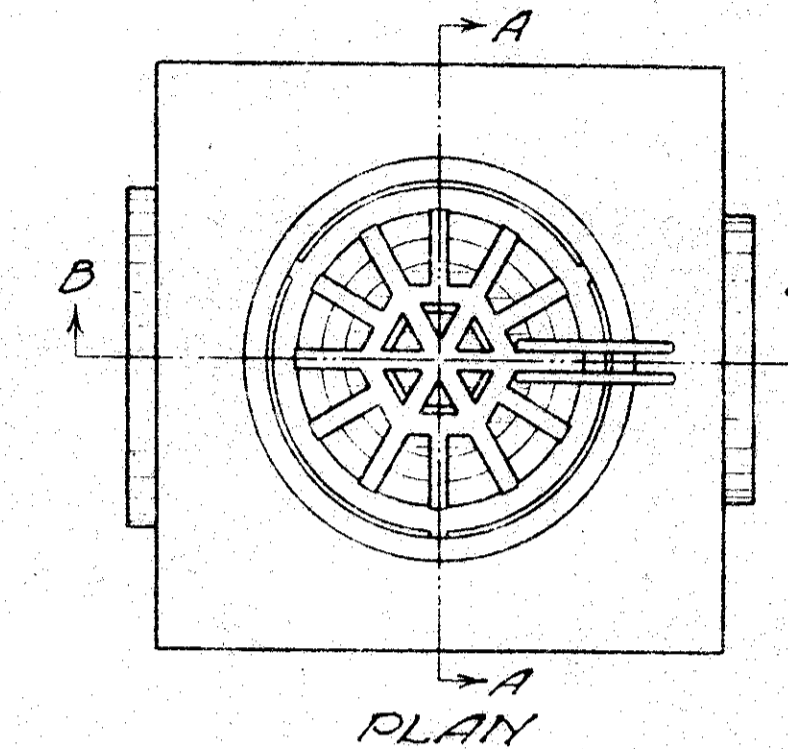
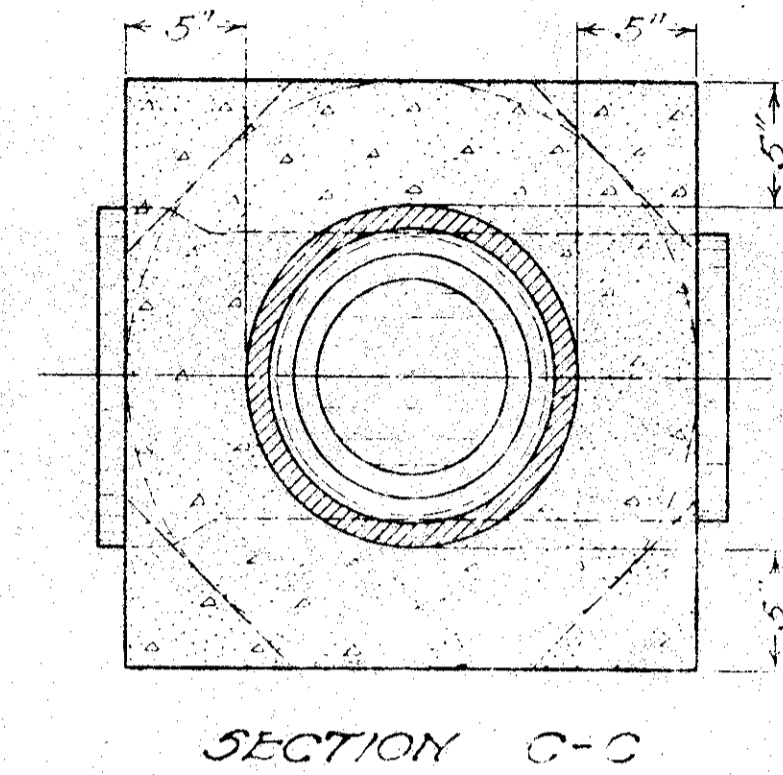
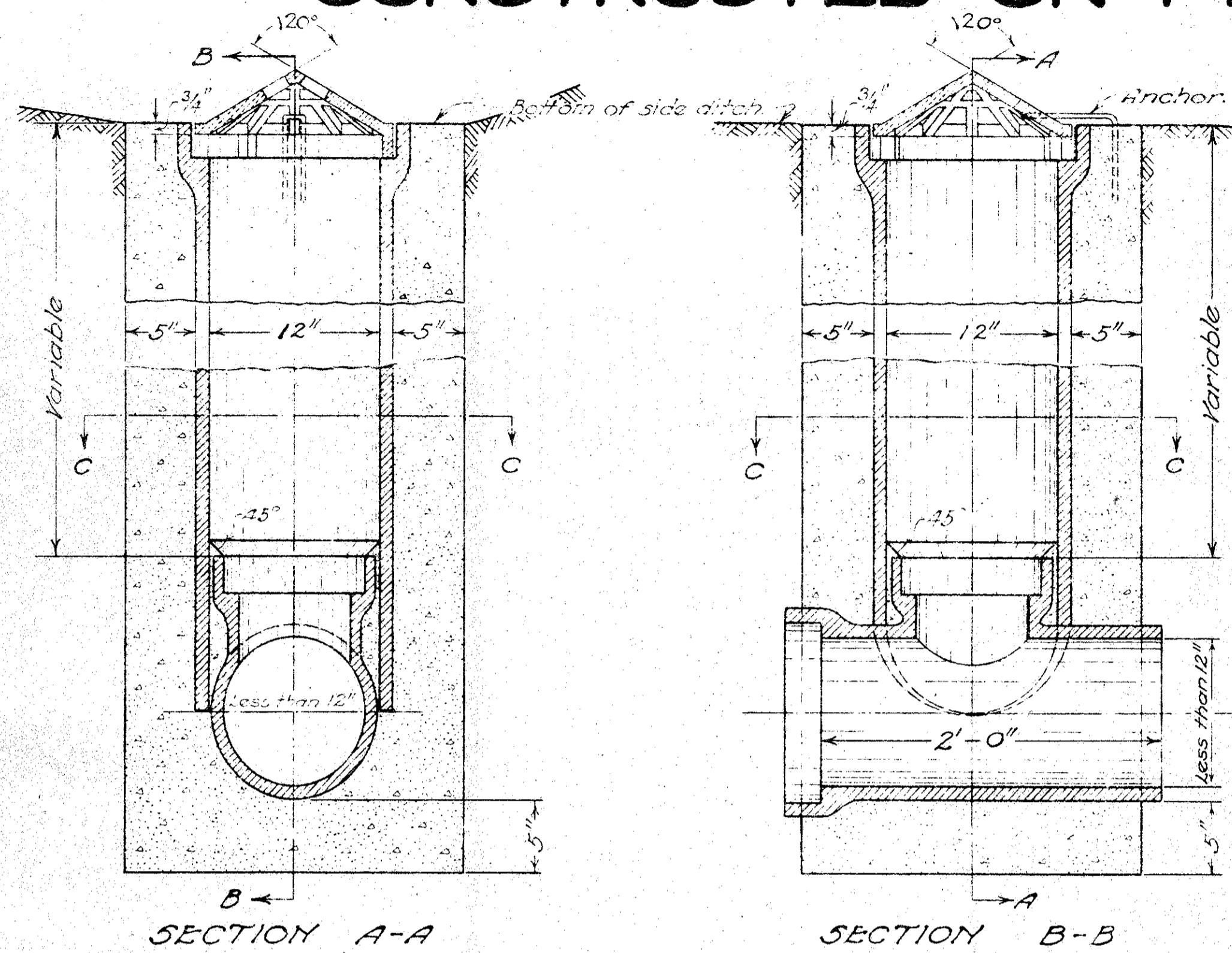


# STANDARD SIDE DITCH INLETS

## CONSTRUCTED ON PIPE LESS THAN 12" DIAMETER



**NOTES**

**CASTING** shall be of cast iron in accordance with Material Details. The design shall be essentially the same and equally as strong as the one shown hereon, and shall be given one coat of asphaltum paint as per specifications. Weight approximately 25 pounds.

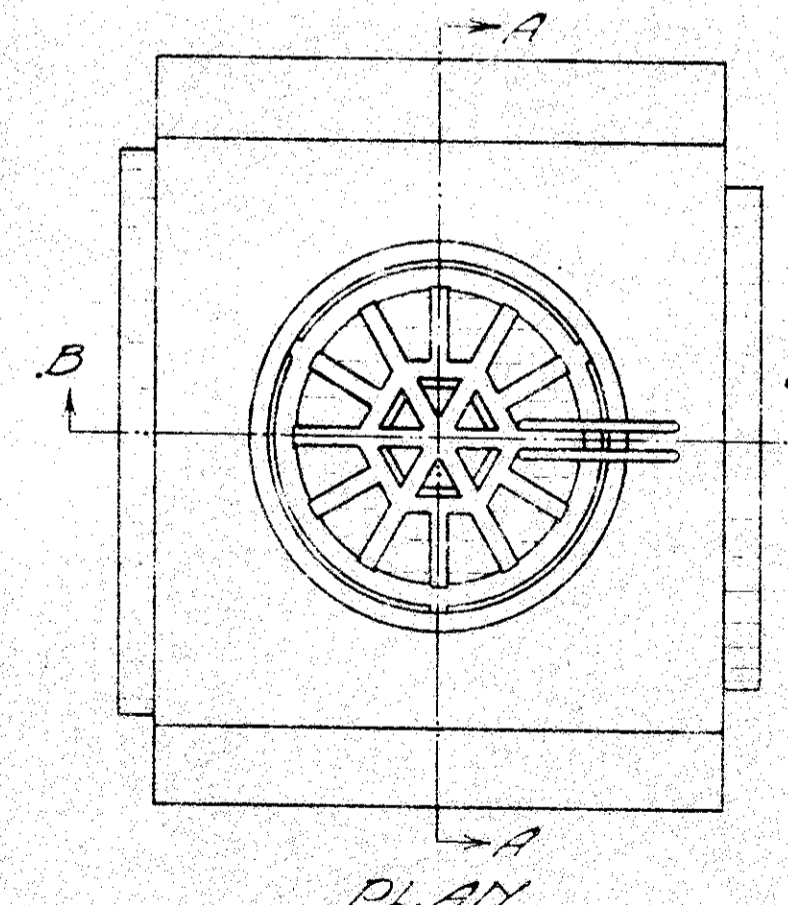
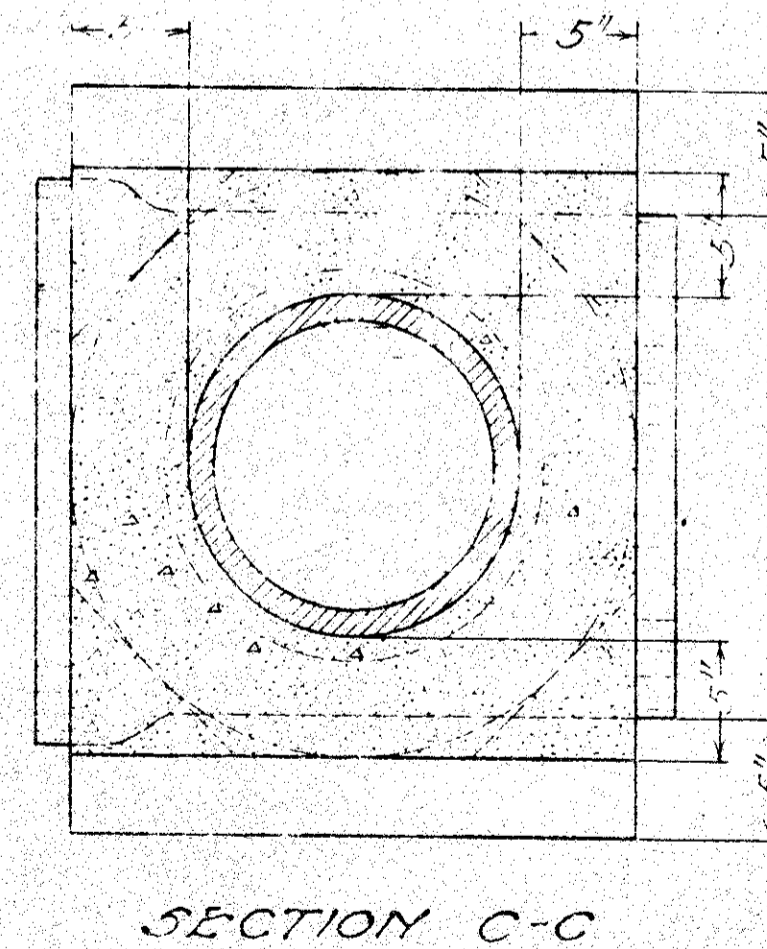
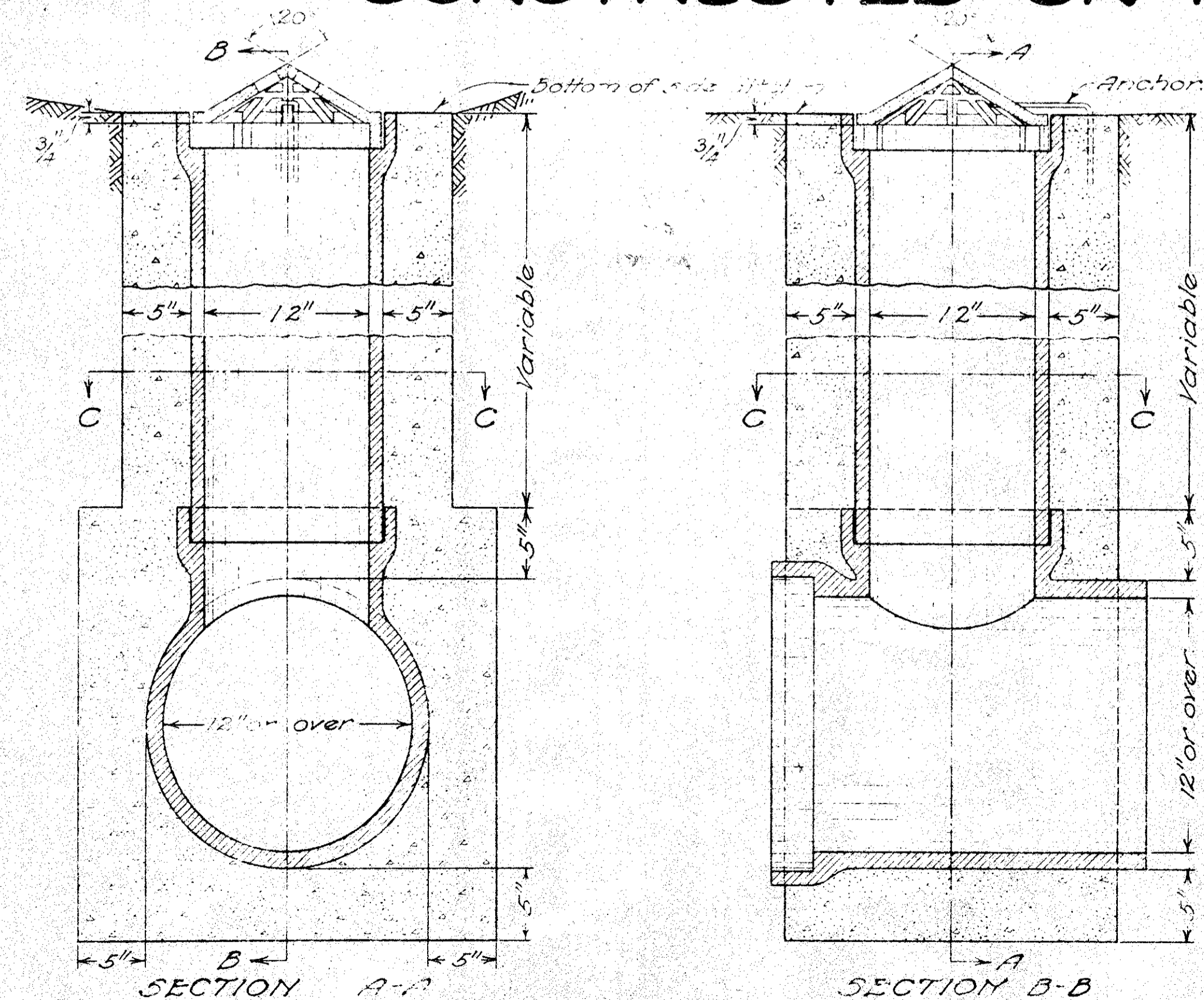
**ANCHOR** for casting to be a 3/8 in. rod, 2 ft. long, bent around grate as shown and anchored into concrete casing.

**CONCRETE** casing for riser may be square, round or hexagonal in shape, and shall be 1-5/2 mix.

**RISER PIPE** in all cases shall be 12 in. in diameter regardless of size of carrying line.

**TEE** Where carrying line is not continuous through inlet the upstream opening of the tee shall be properly plugged using vitrified stopper and sealed joint.

## CONSTRUCTED ON PIPE 12" DIAMETER OR OVER



BUREAU OF LOCATION & DESIGN	8-1933
OHIO DEPARTMENT OF HIGHWAYS	1-1-36
<b>SIDE DITCH INLETS</b>	
STANDARD CONSTRUCTION DRAWING	I-8 I. No. 1
APPROVED <i>K. L. G.</i> CHIEF ENGINEER	