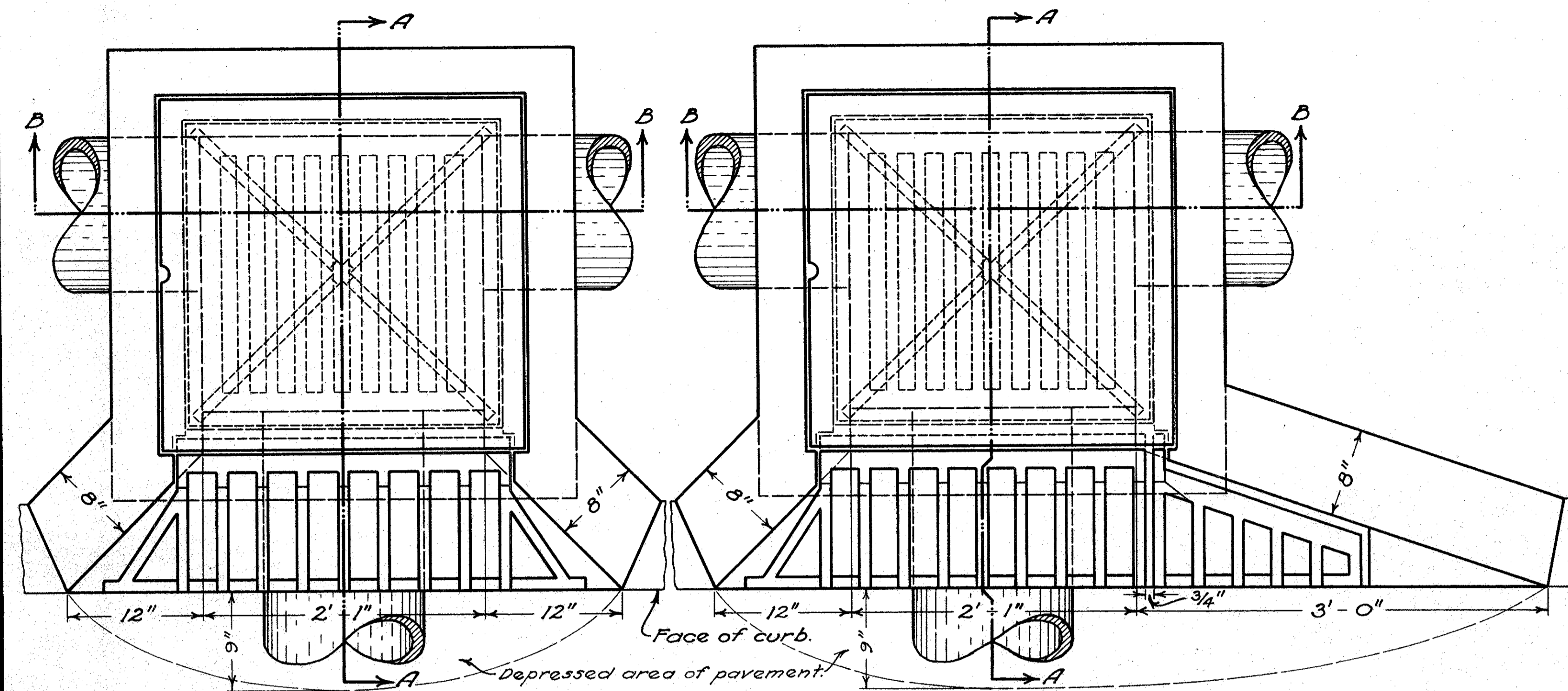
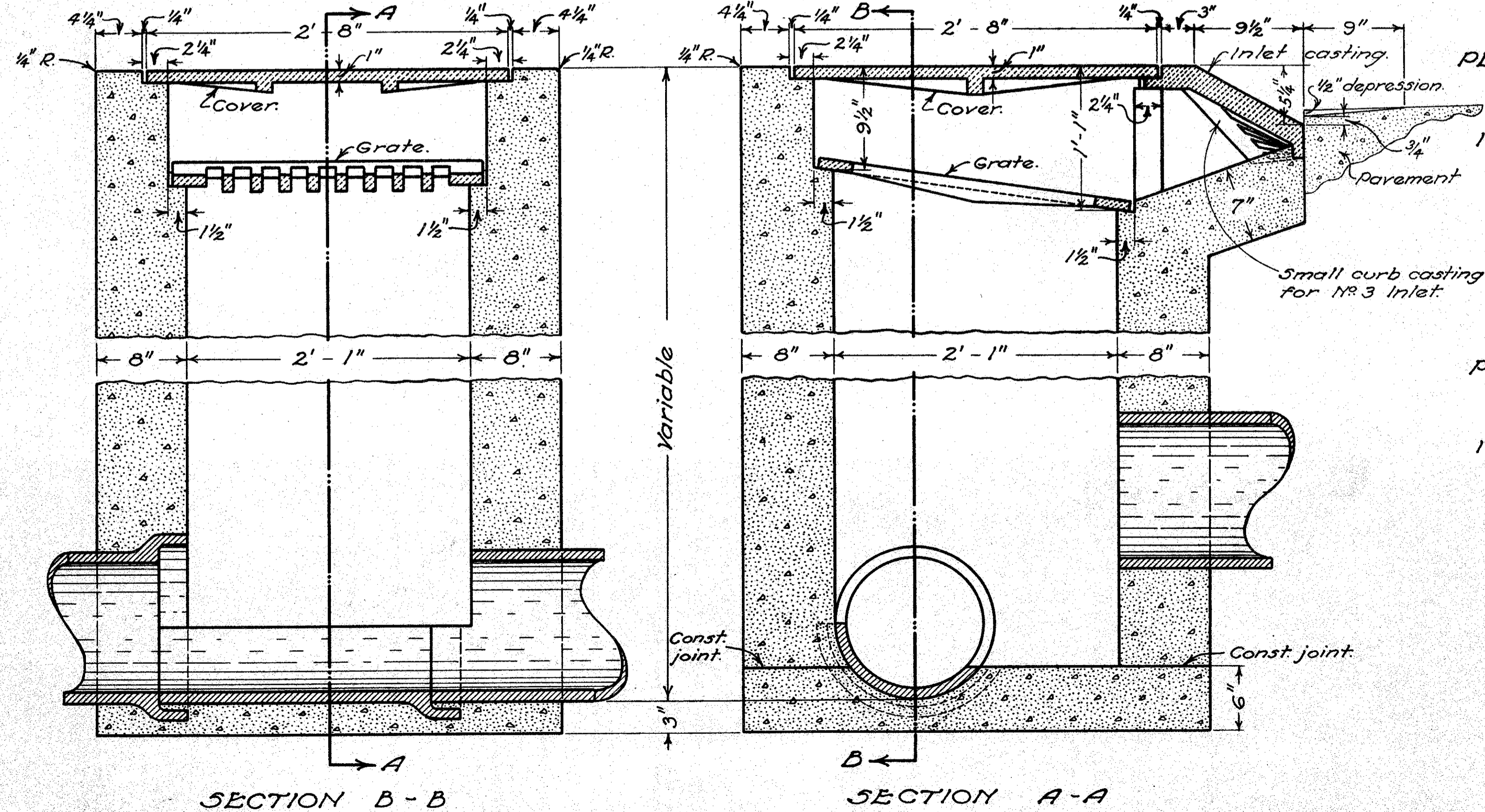


STANDARD SINGLE AND HILLSIDE CURB INLETS



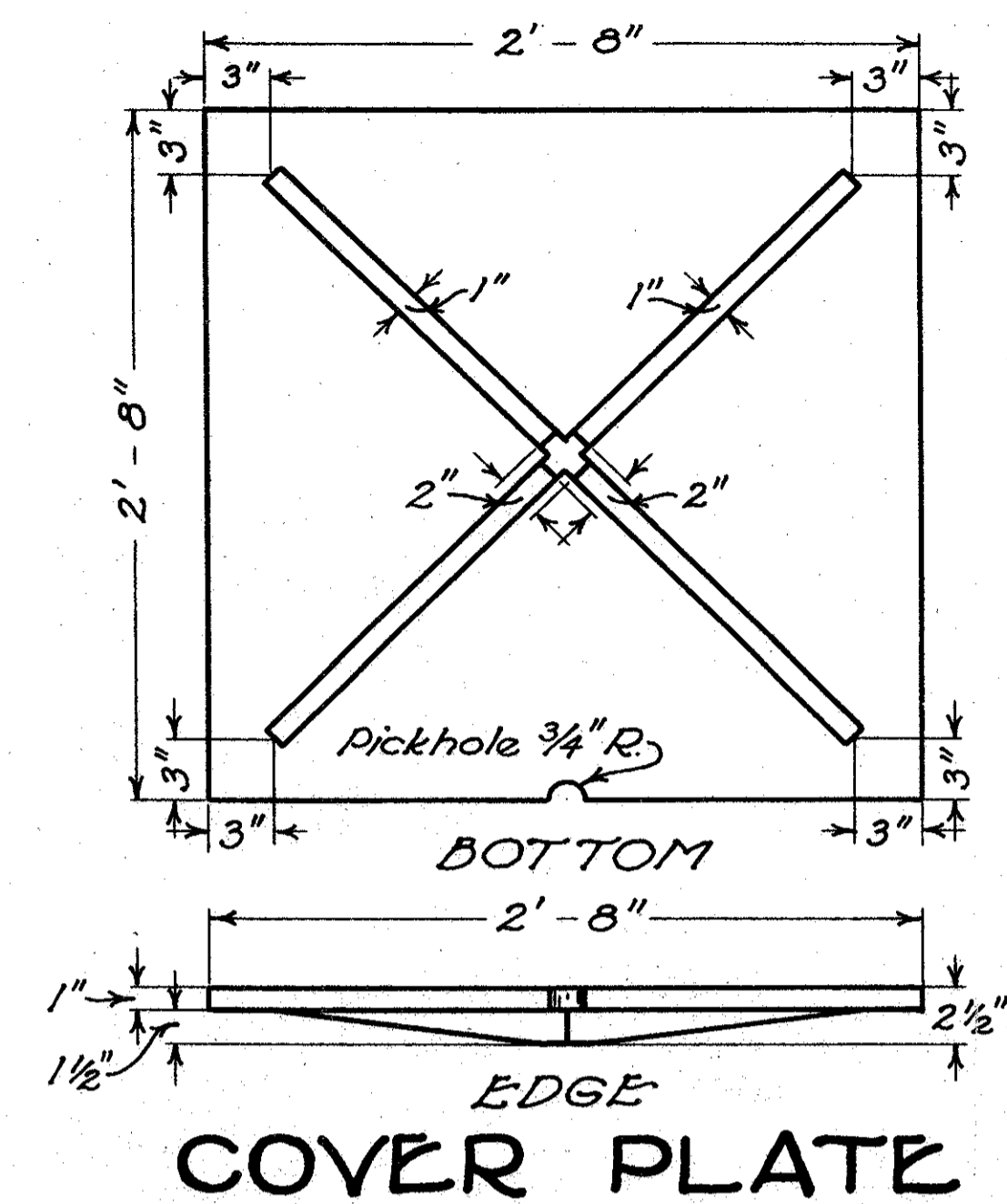
PLAN
SINGLE INLET NO. 2

PLAN
HILLSIDE INLET NO. 3

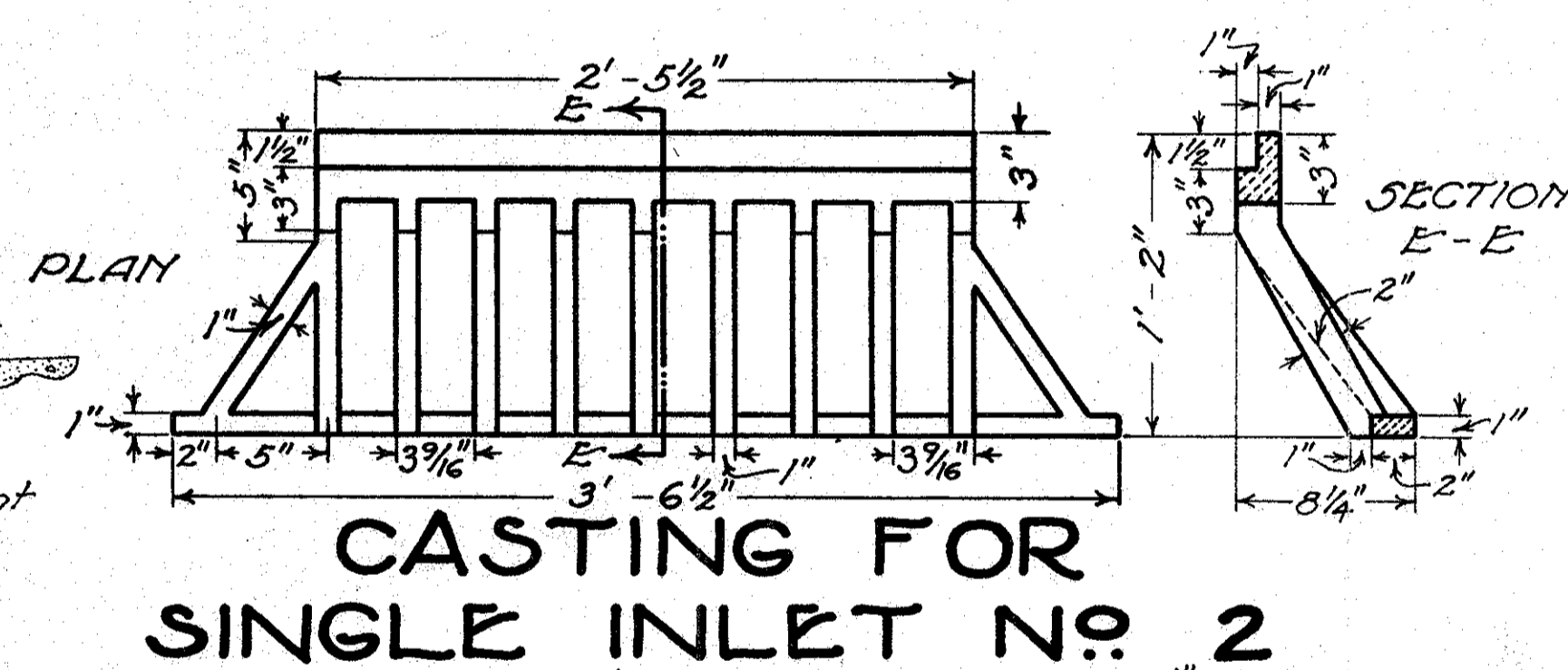


SECTION B-B

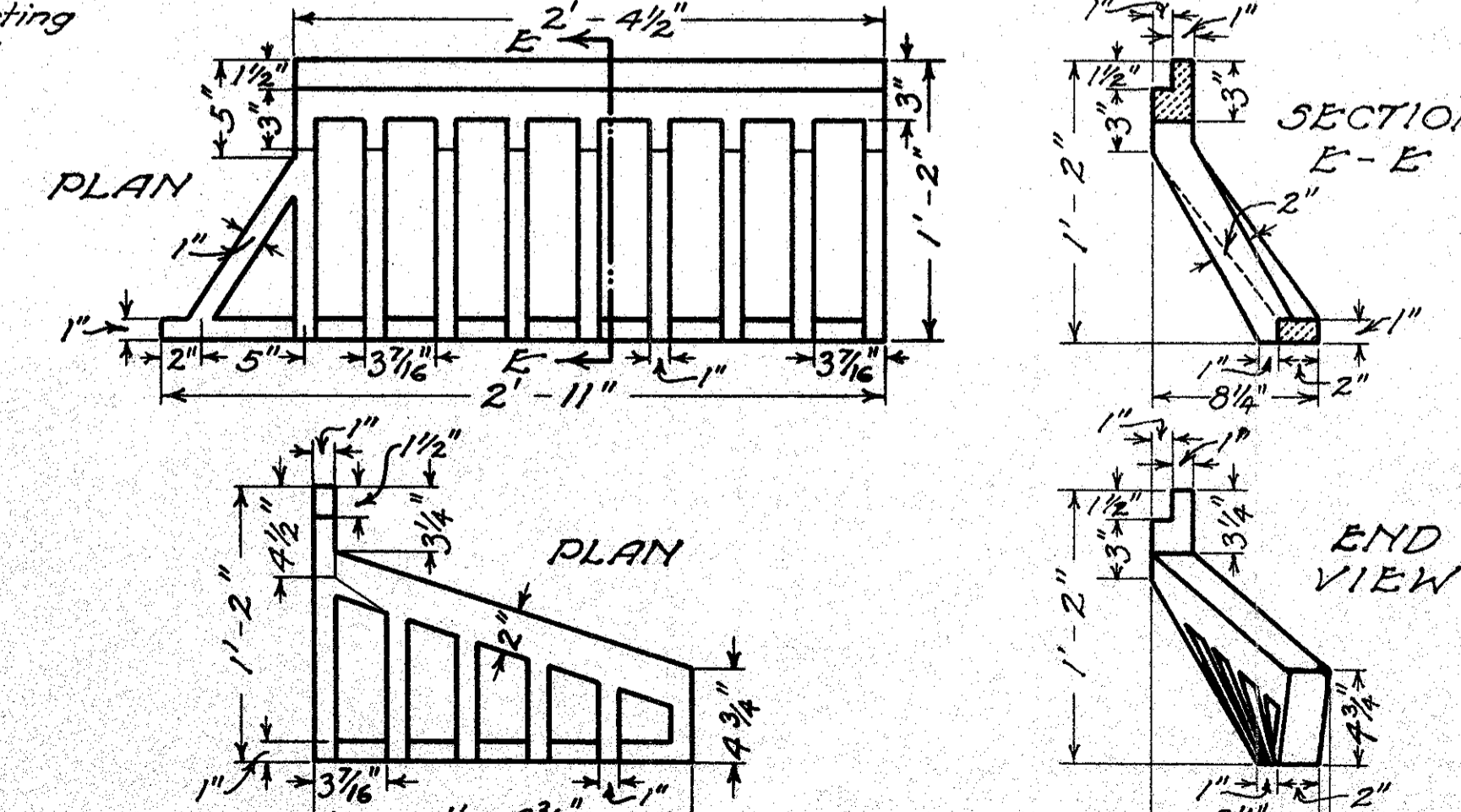
SECTION A-A



COVER PLATE



CASTING FOR SINGLE INLET NO. 2



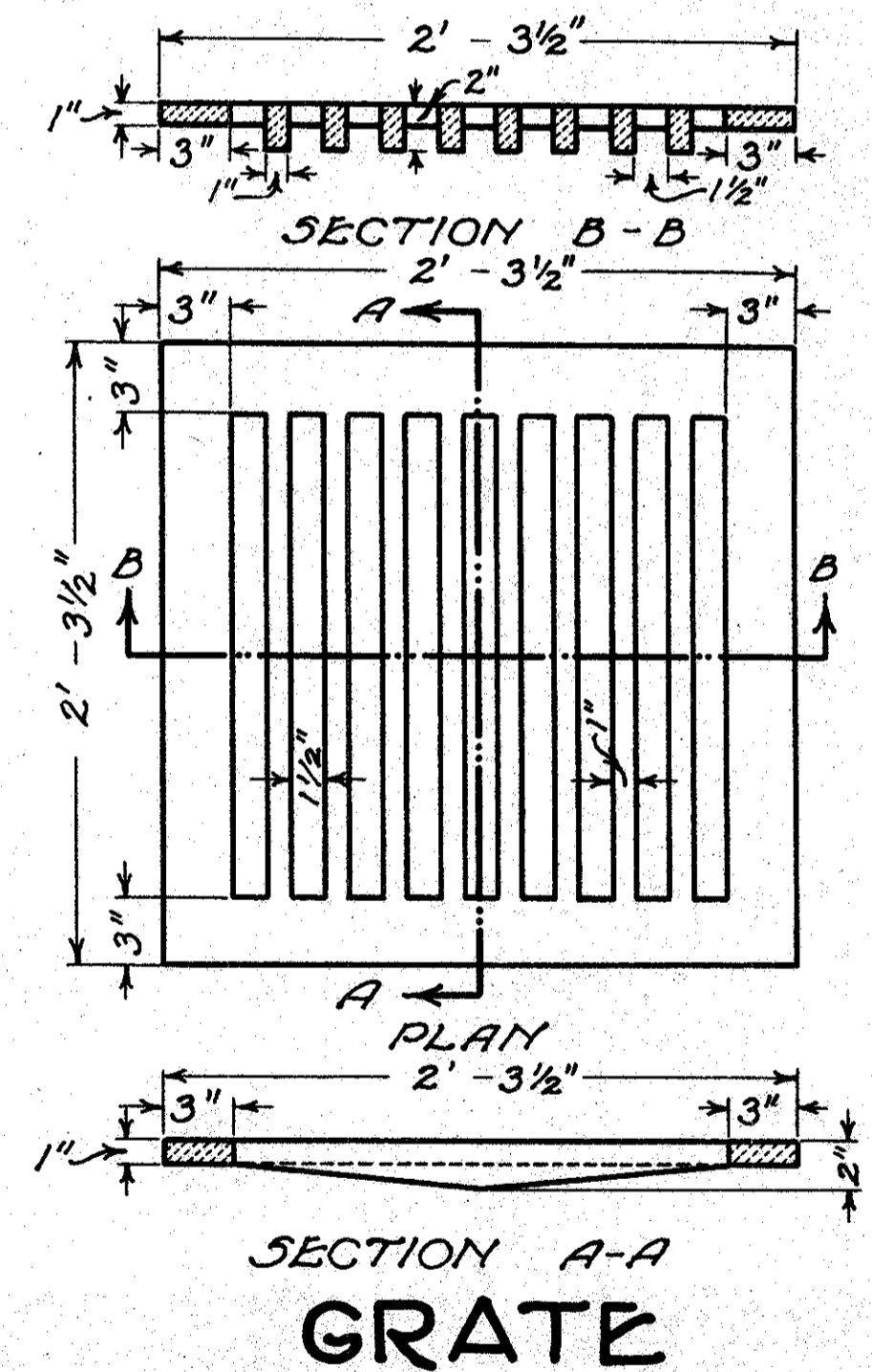
CASTINGS FOR HILLSIDE INLET NO. 3

NOTES

CASTINGS shall be of cast iron in accordance with Material Details. The designs shall be essentially the same and equally as strong as those shown hereon and shall be given one coat of asphaltum paint as per specifications.

WEIGHTS approximately are:-
 Cover plate 328 lbs.
 Grate 155 lbs.
 No. 2 Curb casting 125 lbs.
 No. 3 Curb casting (large) 100 lbs.
 No. 3 Curb casting (small) 50 lbs.

CONCRETE shall be 1-5/2 mix.
BRICK side walls, when used in place of concrete, shall be 8 in. in thickness and to be plastered on the inside and outside with 1-2 cement mortar 1/2 in. thick.



SECTION A-A
GRATE

BUREAU OF LOCATION & DESIGN 9-1933
 OHIO DEPARTMENT OF HIGHWAYS 8-1934
 2-1-'36

CURB INLETS

STANDARD I-8 I.
 CONSTRUCTION NO. 2 & 3
 DRAWING
 APPROVED *K.L.P.* CHIEF ENGINEER