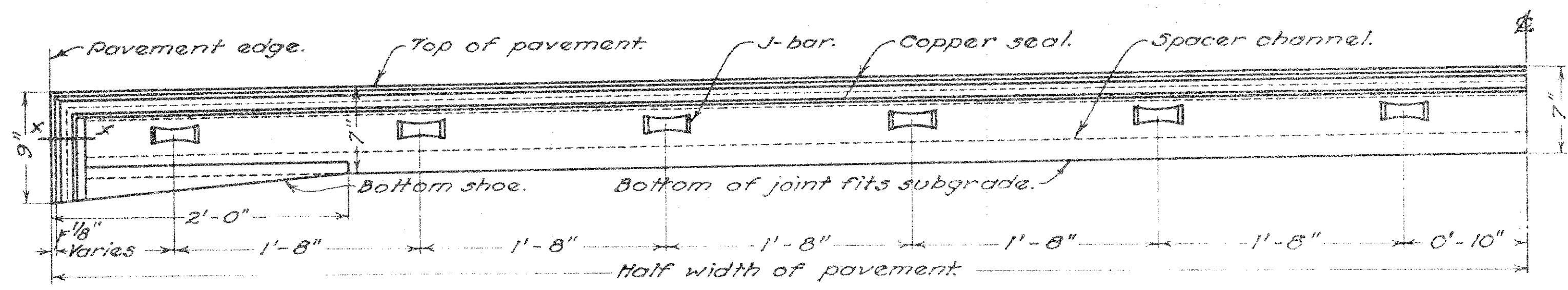


# TRANSVERSE JOINTS

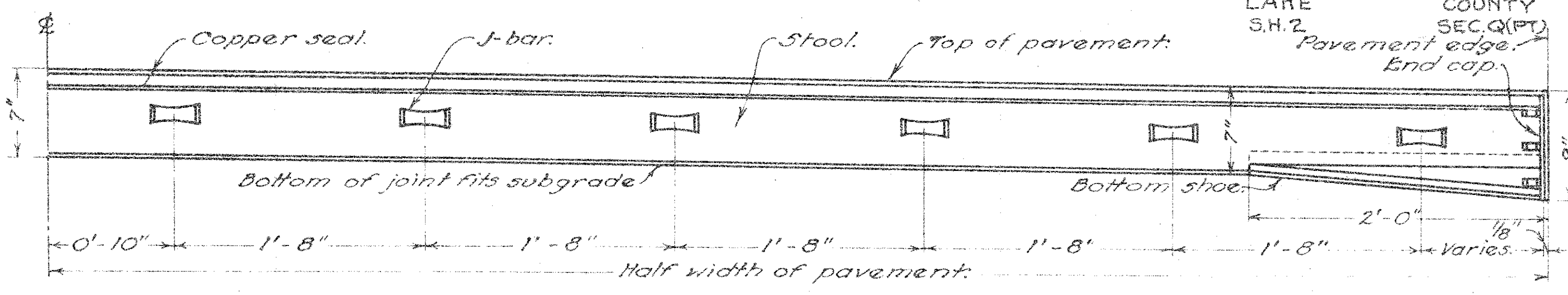
|                    |       |                   |             |    |
|--------------------|-------|-------------------|-------------|----|
| FED. RD. DIST. NO. | STATE | FED. AID. PROJECT | FISCAL YEAR | 48 |
| 10                 | OHIO  | 666-1(1)<br>5(3)  | 1938        | 39 |

## EXPANSION JOINT

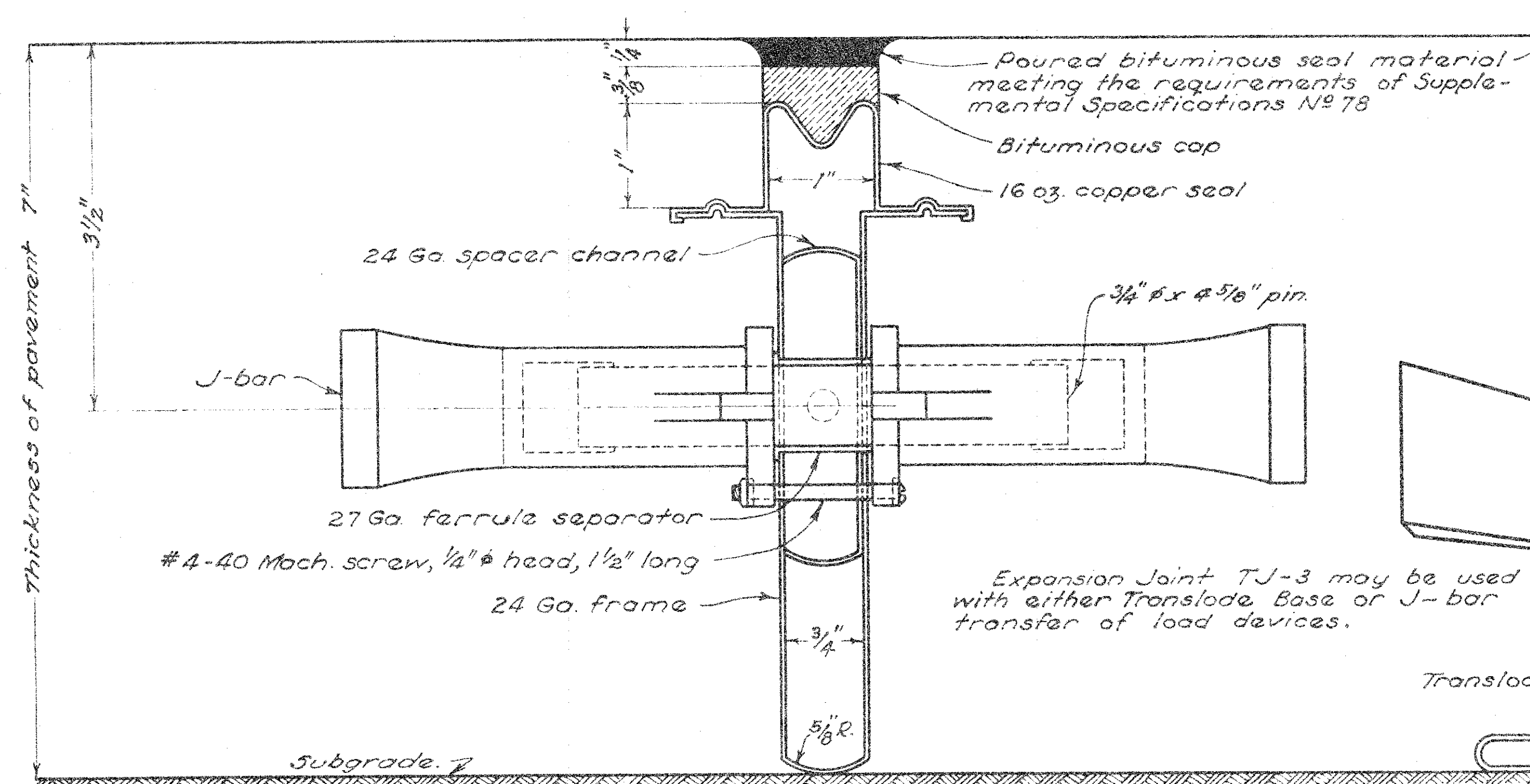
## CONSTRUCTION JOINT



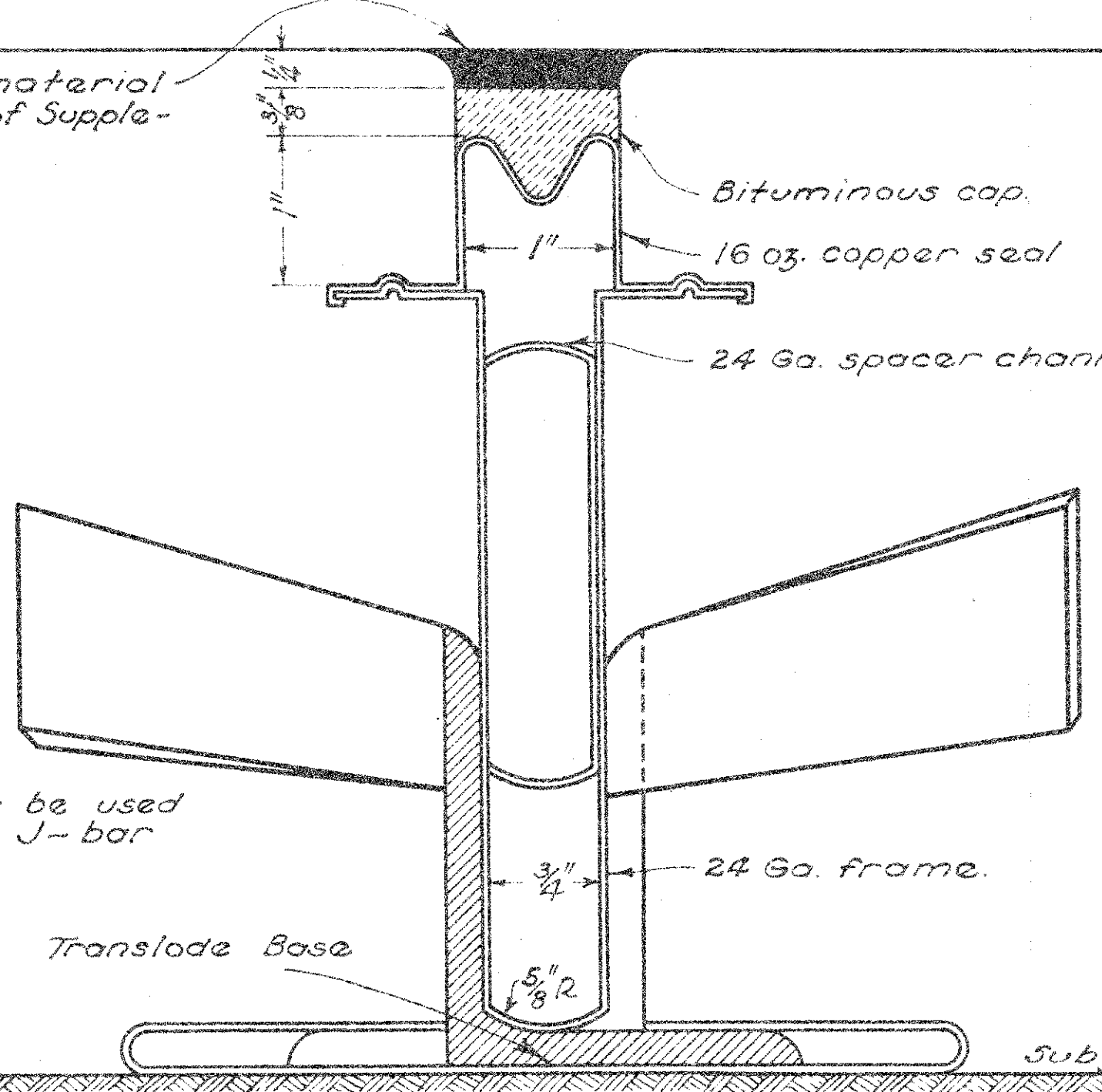
ELEVATION OF JOINT



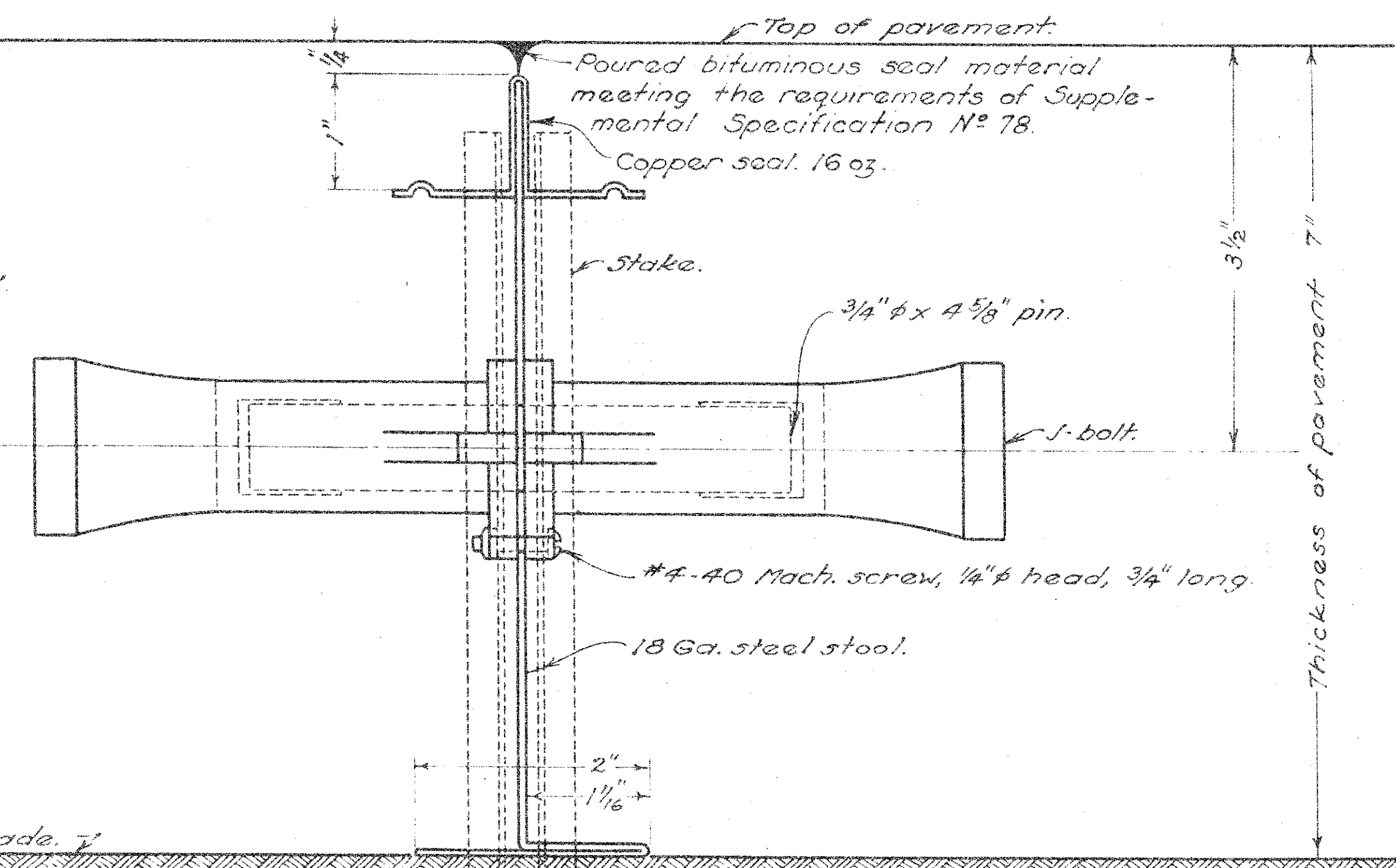
ELEVATION OF JOINT



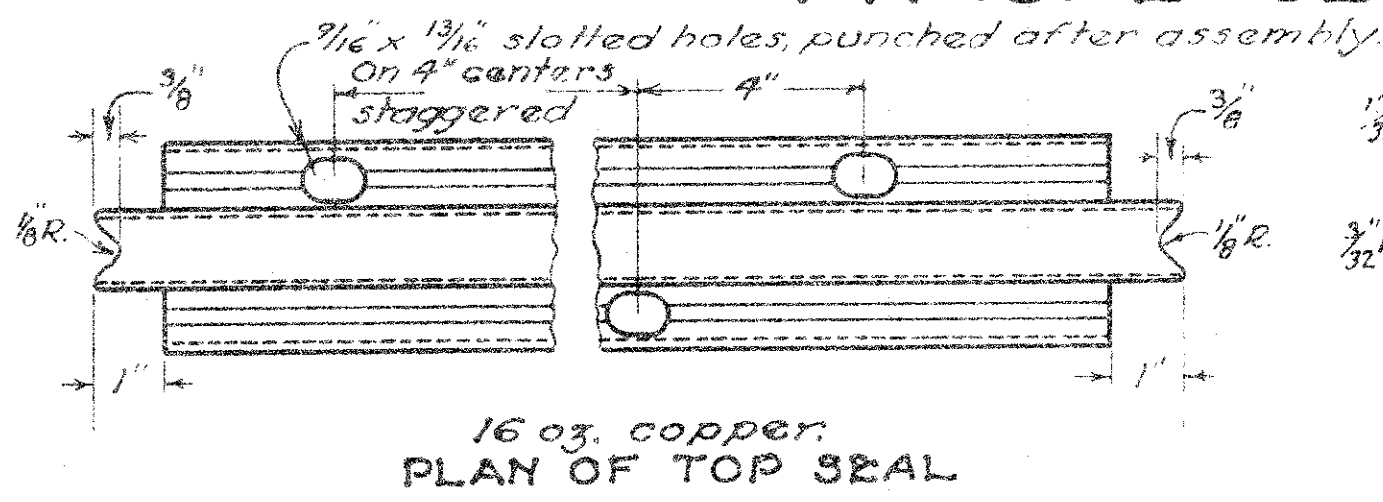
TYPICAL SECTION OF JOINT



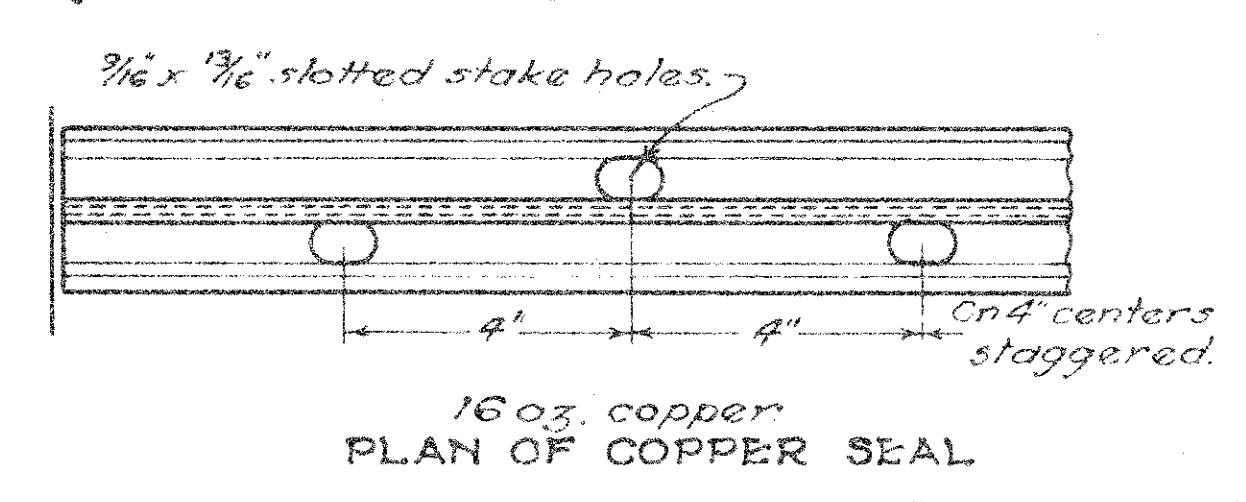
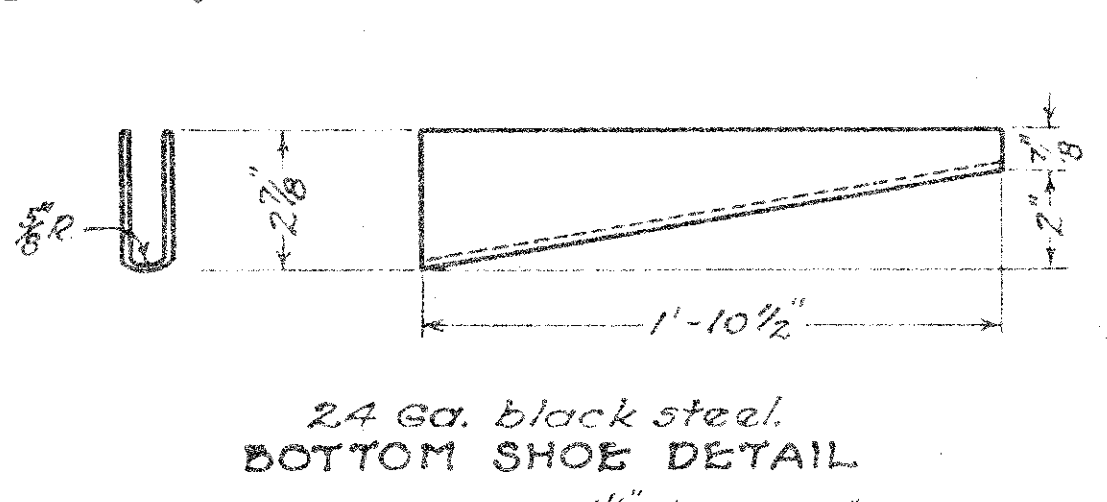
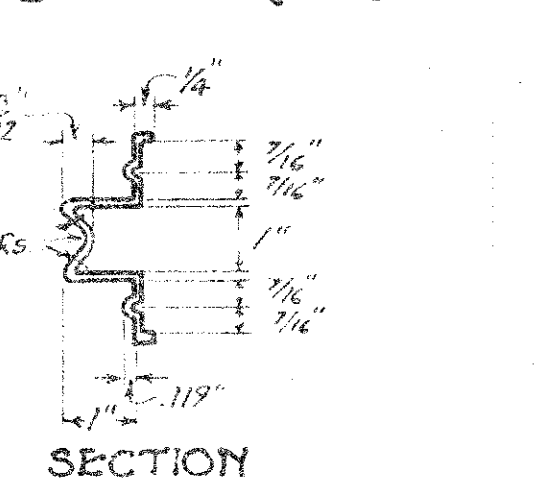
TYPICAL SECTION OF JOINT



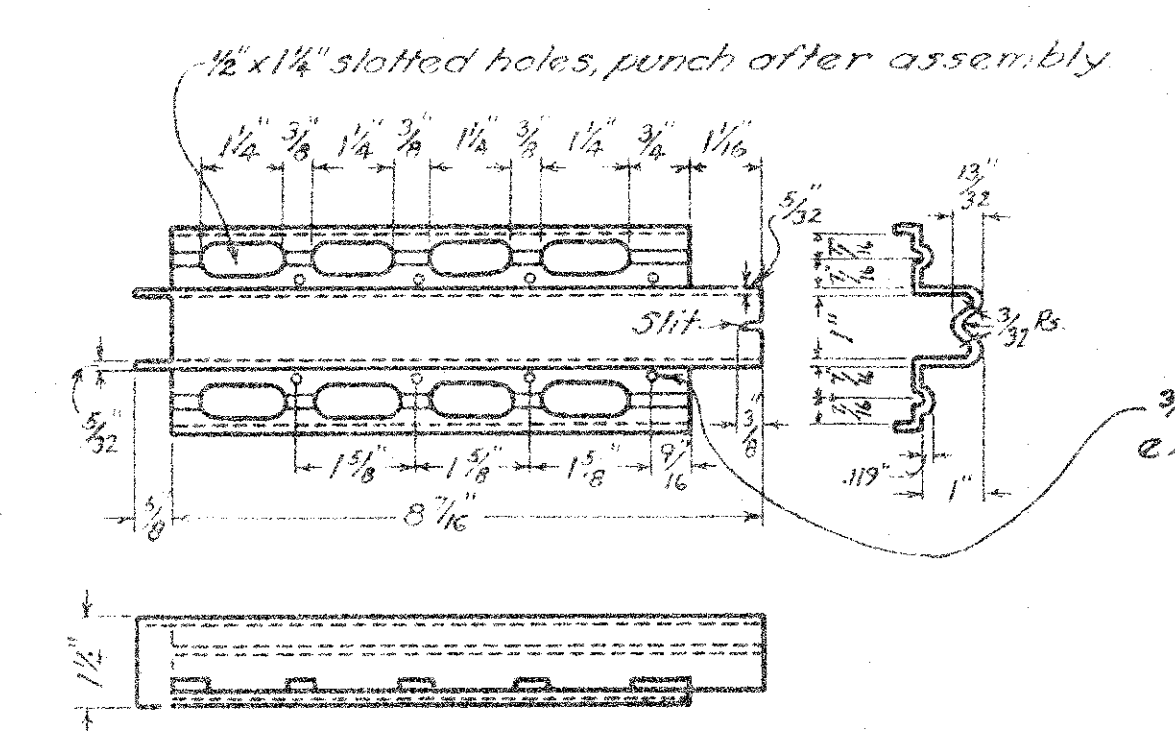
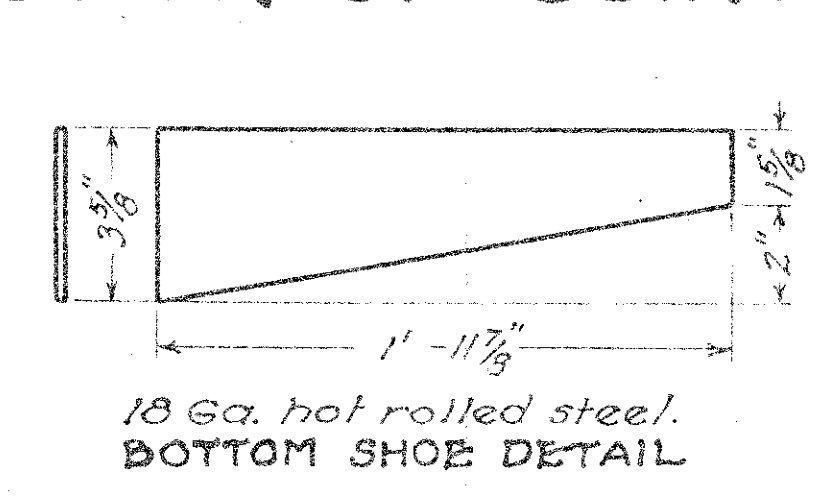
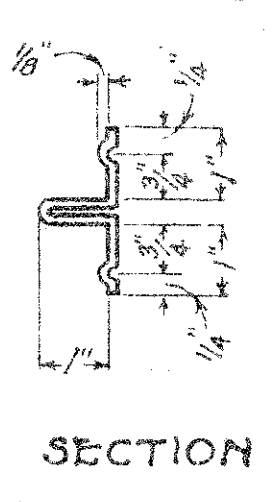
TYPICAL SECTION OF JOINT



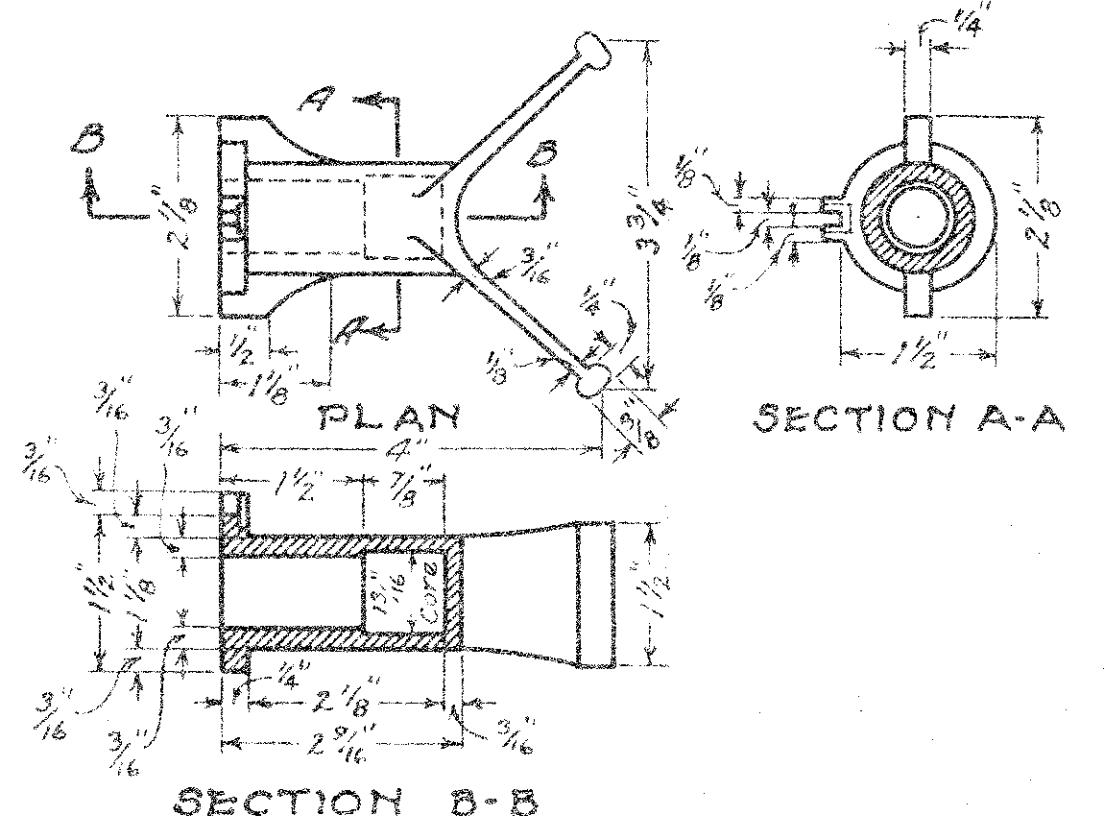
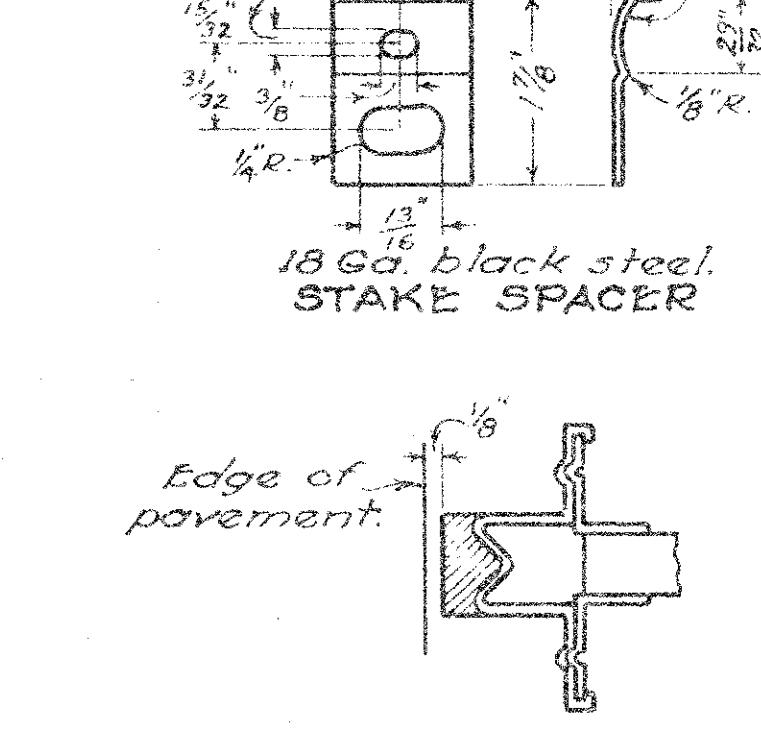
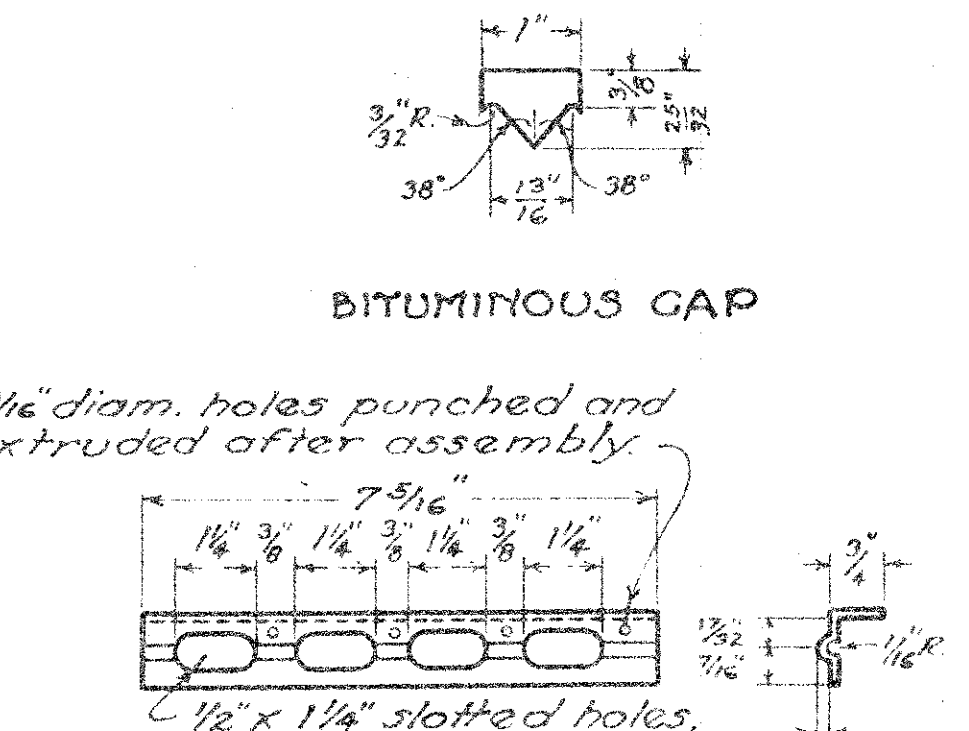
16 oz. copper PLAN OF TOP SEAL



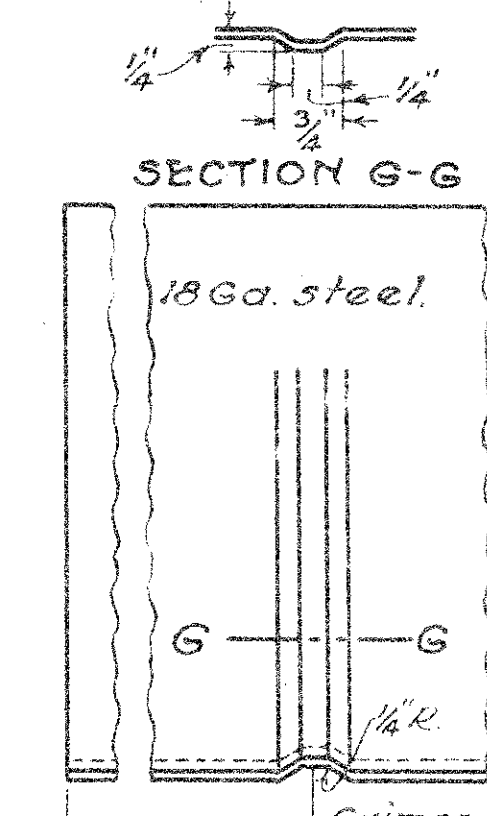
16 oz. copper PLAN OF COPPER SEAL



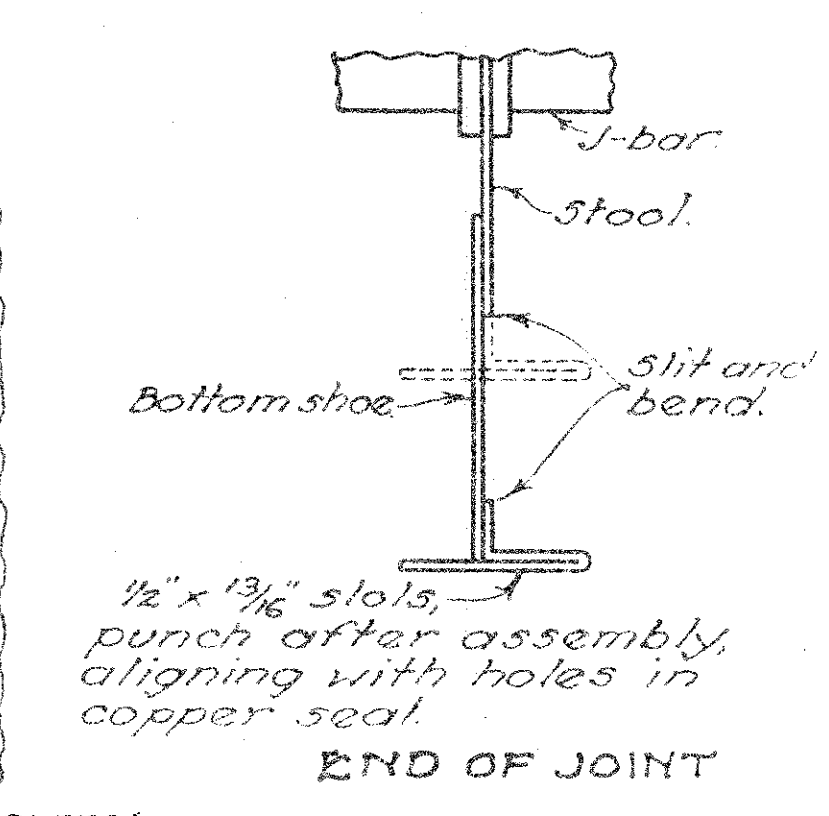
16 oz. copper END CAP DETAIL



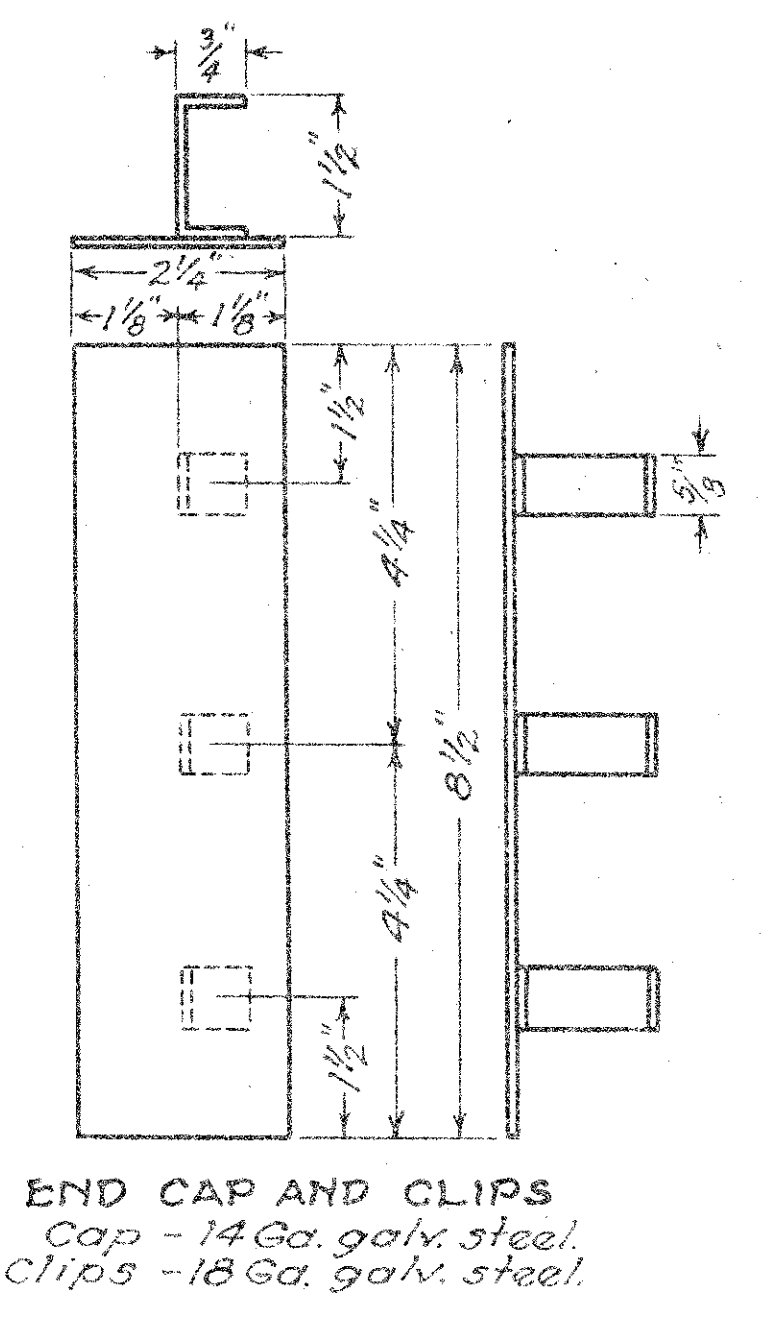
DETAIL OF J-BAR



STOOL SHOWING CRIMP



END OF JOINT



TJ-3