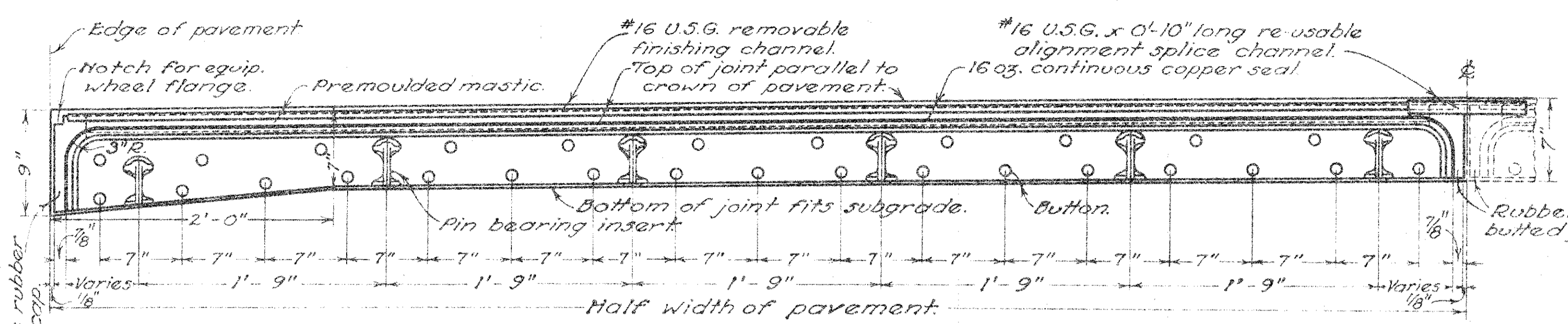


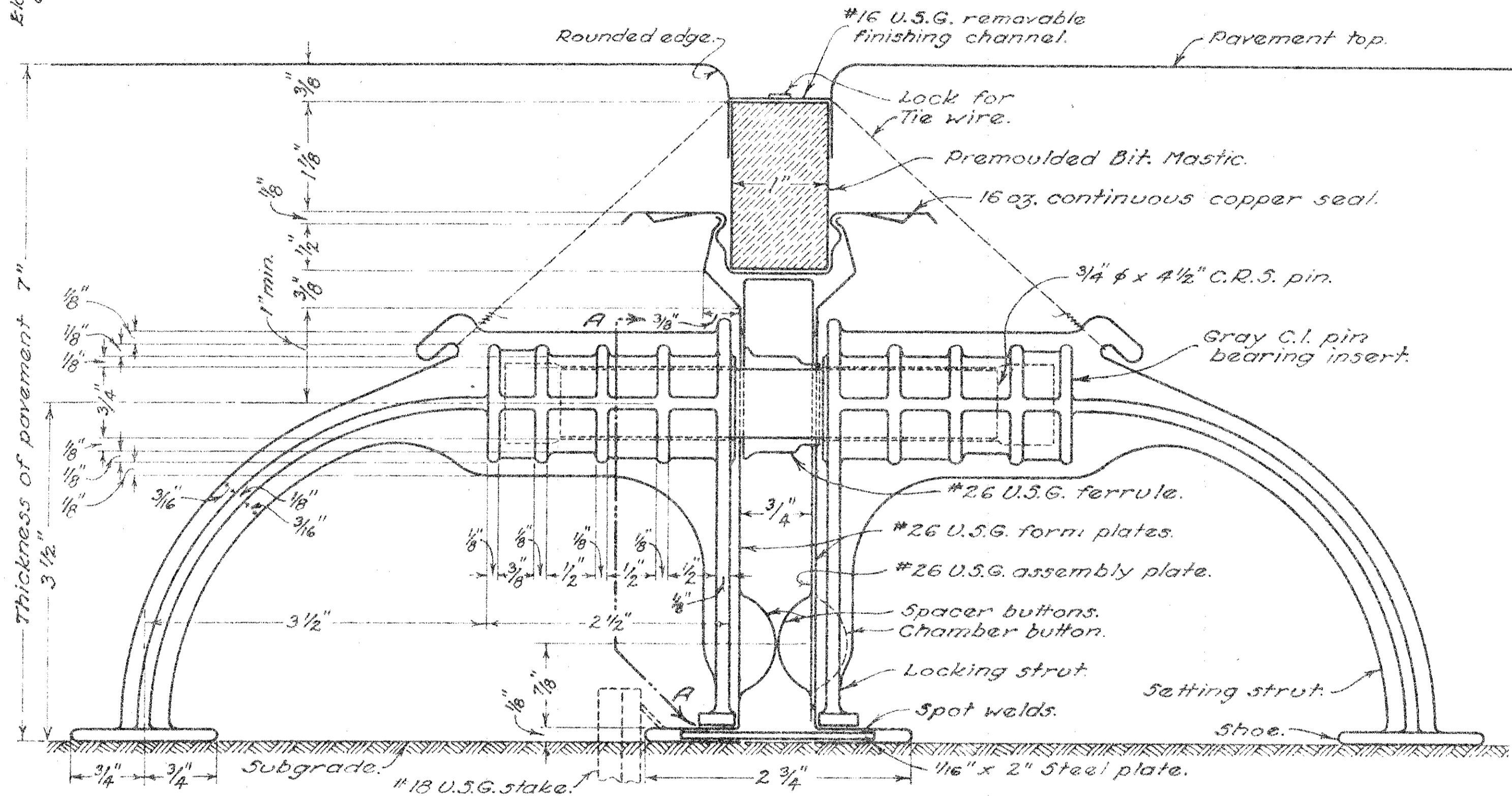
TRANSVERSE JOINTS

FED. RD. DIST. NO.	STATE	FED. AID PROJECT	FISCAL YEAR	4A
10	OHIO	666-I(1) 5(3)	1938	39

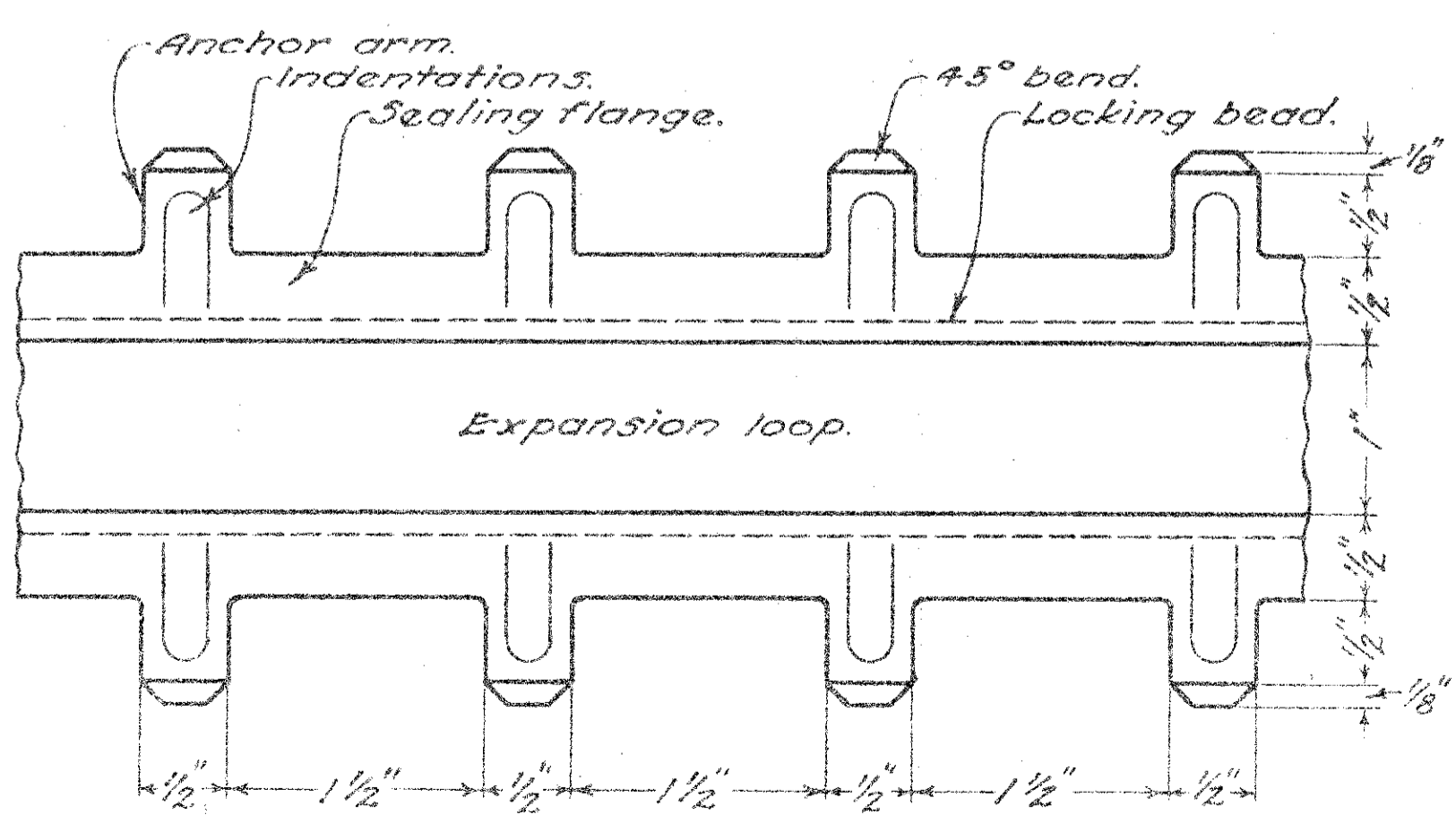
EXPANSION JOINT



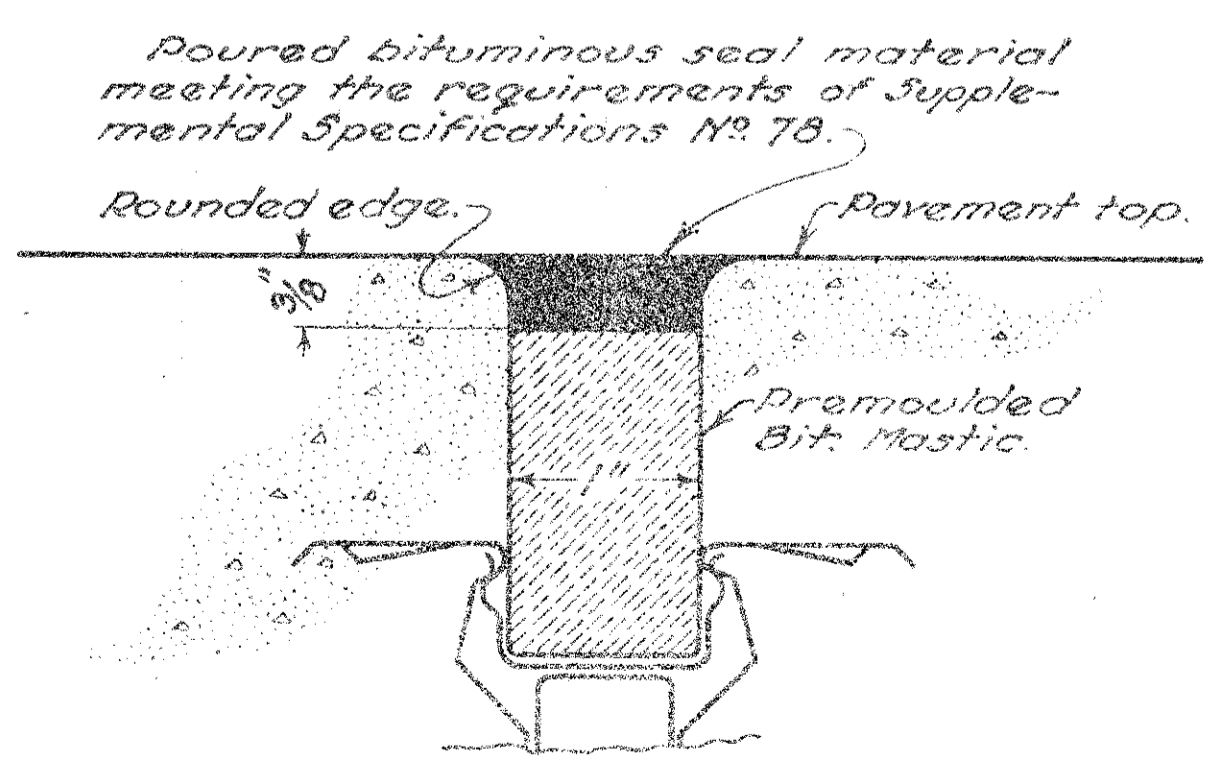
ELEVATION OF JOINT



TYPICAL SECTION OF JOINT

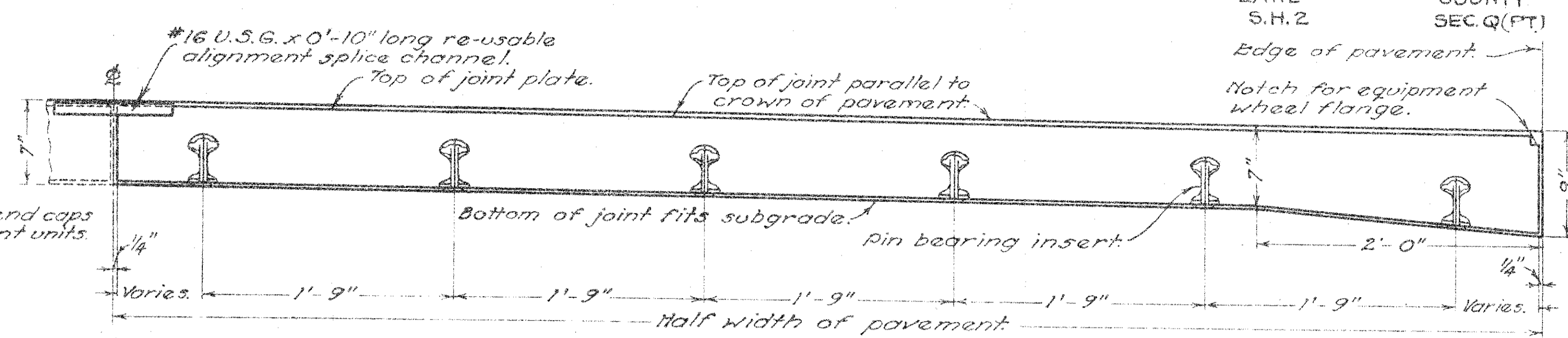


PLAN
16 OZ. COPPER SEAL

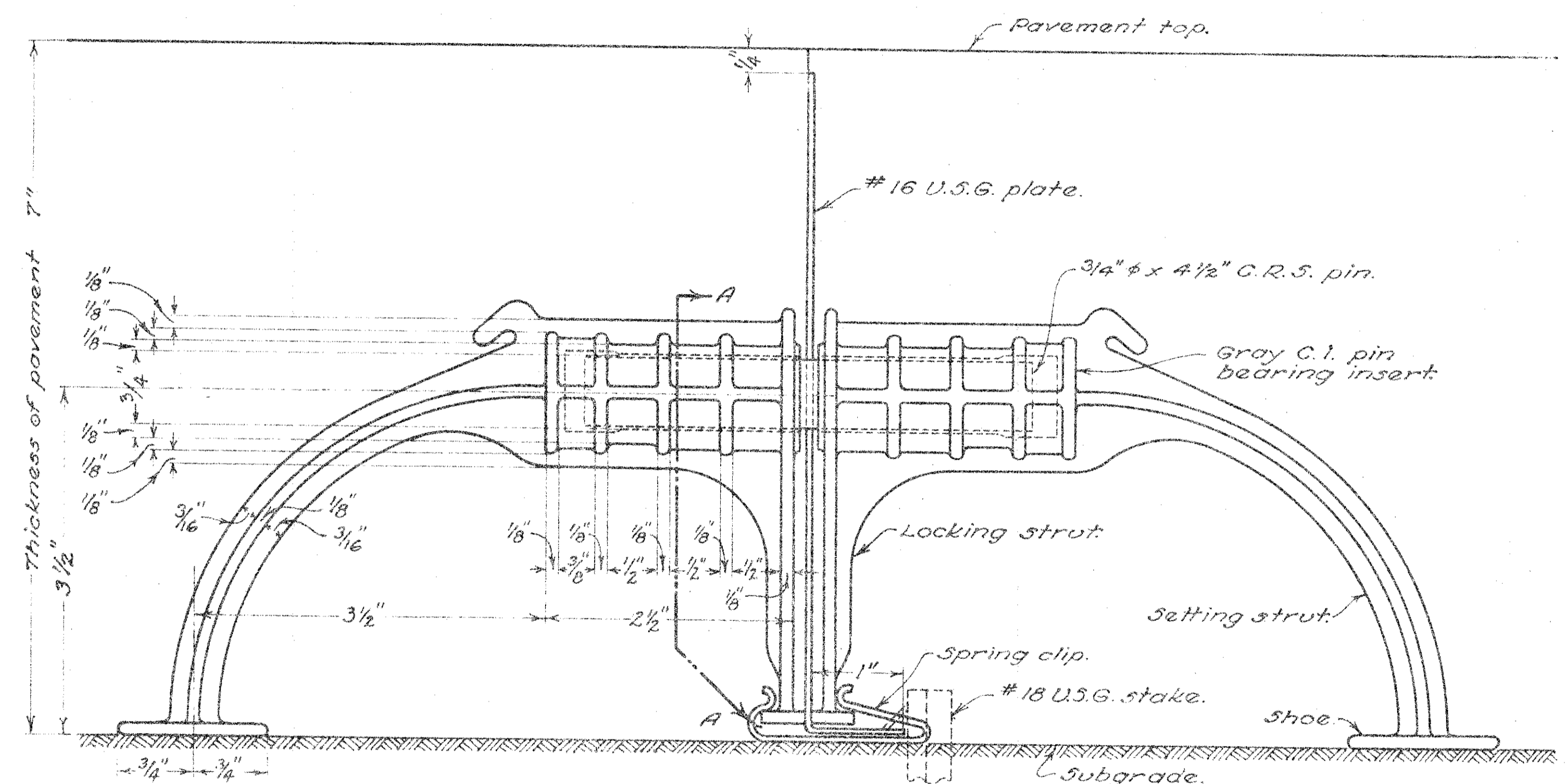


SECTION
POURED BITUMINOUS SEAL

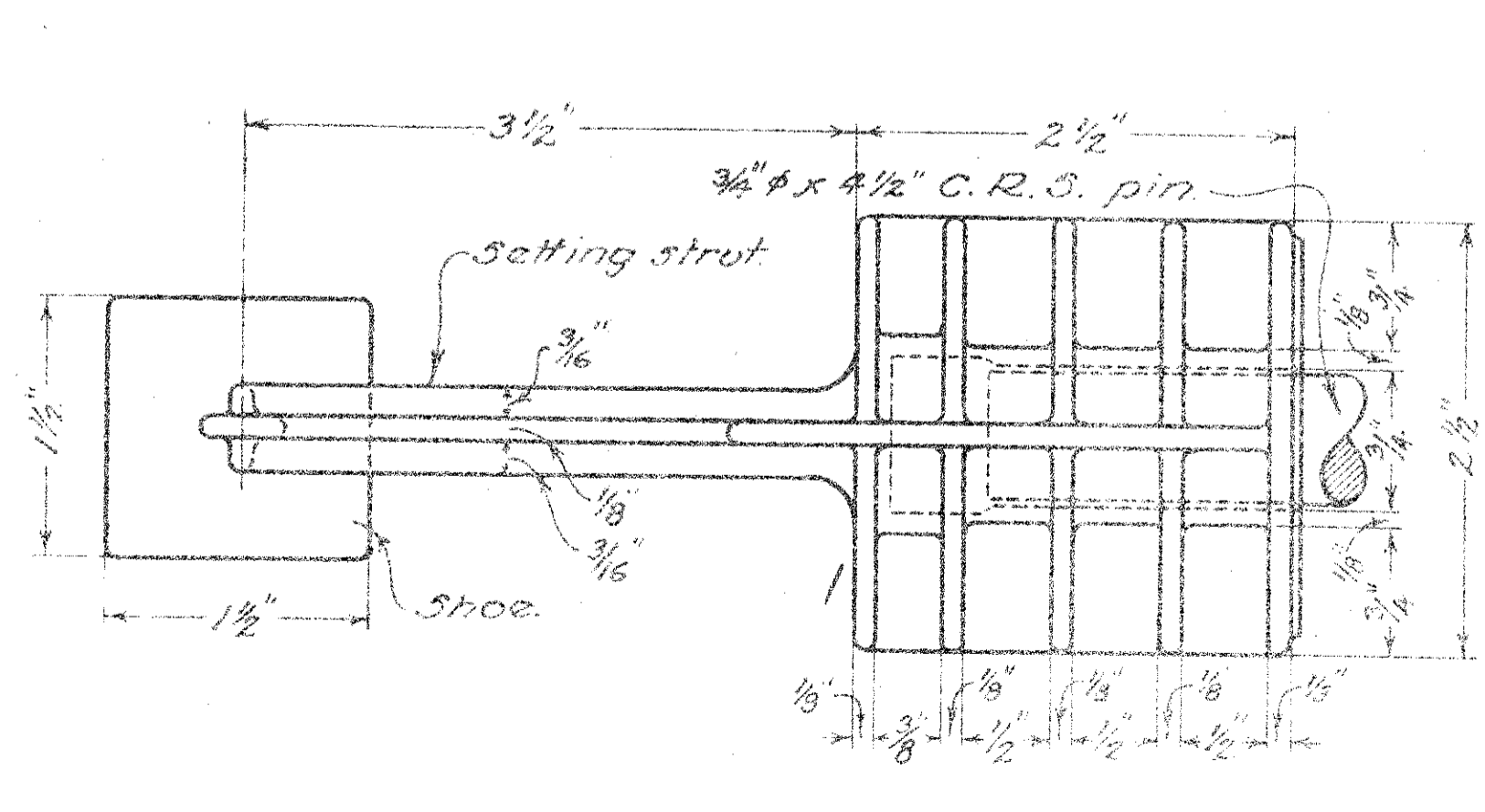
CONSTRUCTION JOINT



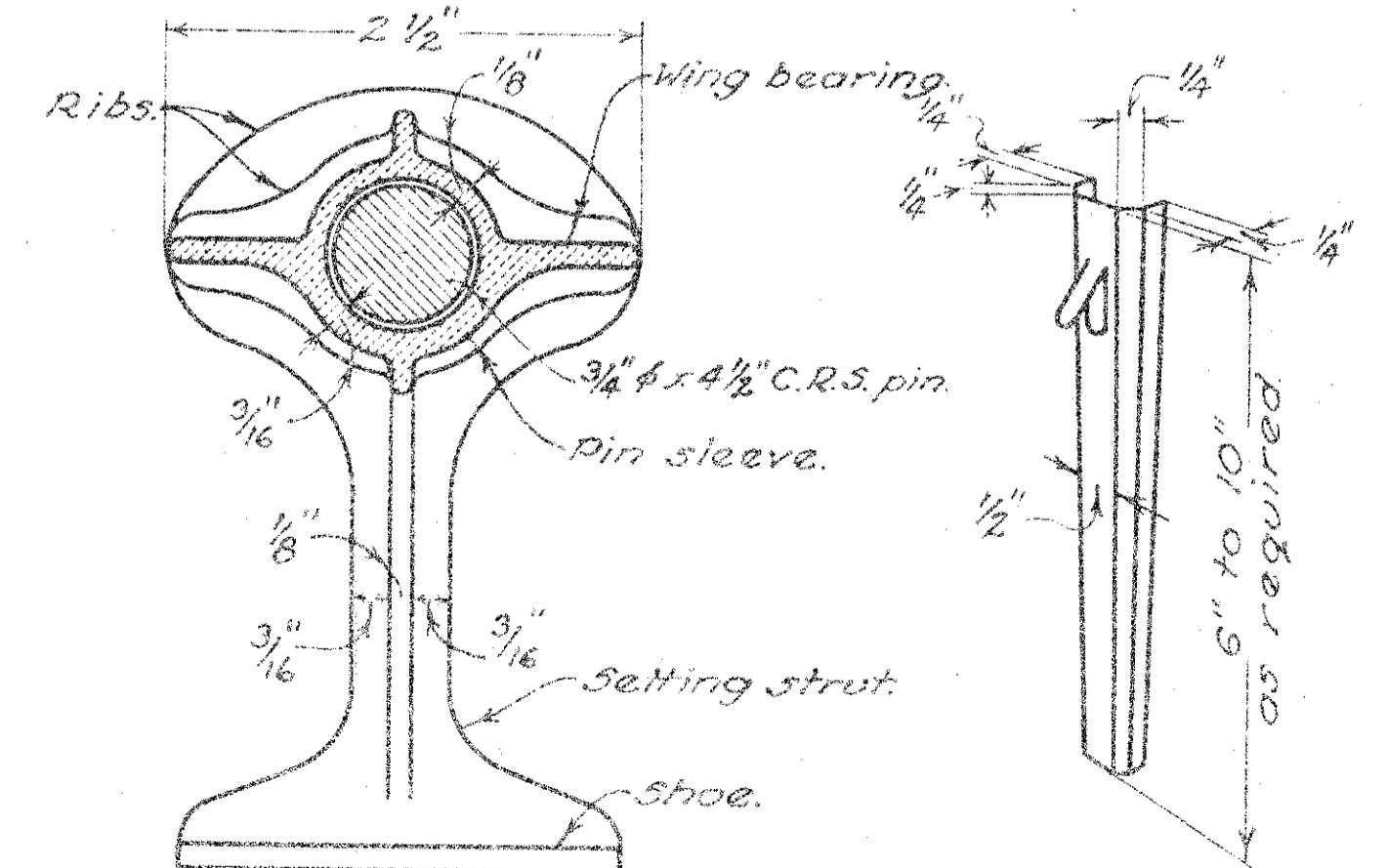
ELEVATION OF JOINT



TYPICAL SECTION OF JOINT



PLAN
GRAY CAST IRON PIN BEARING INSERT



SECTION A-A
#18 U.S.G. STAKE
TJ-2

ASHTABULA COUNTY
S.H. 2 SEC. M (PT.)
LAKE COUNTY
S.H. 2 SEC. Q (PT.)