

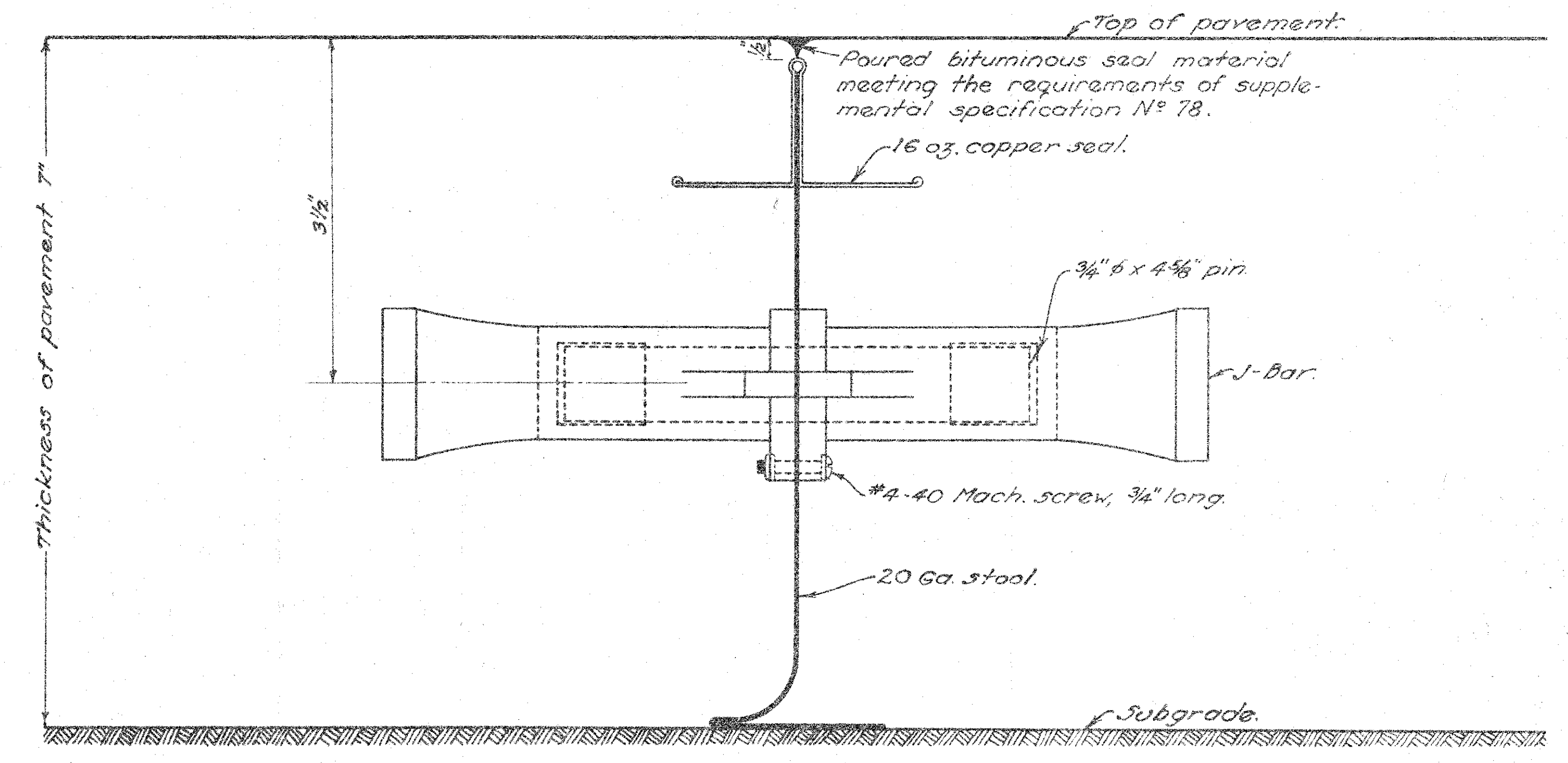
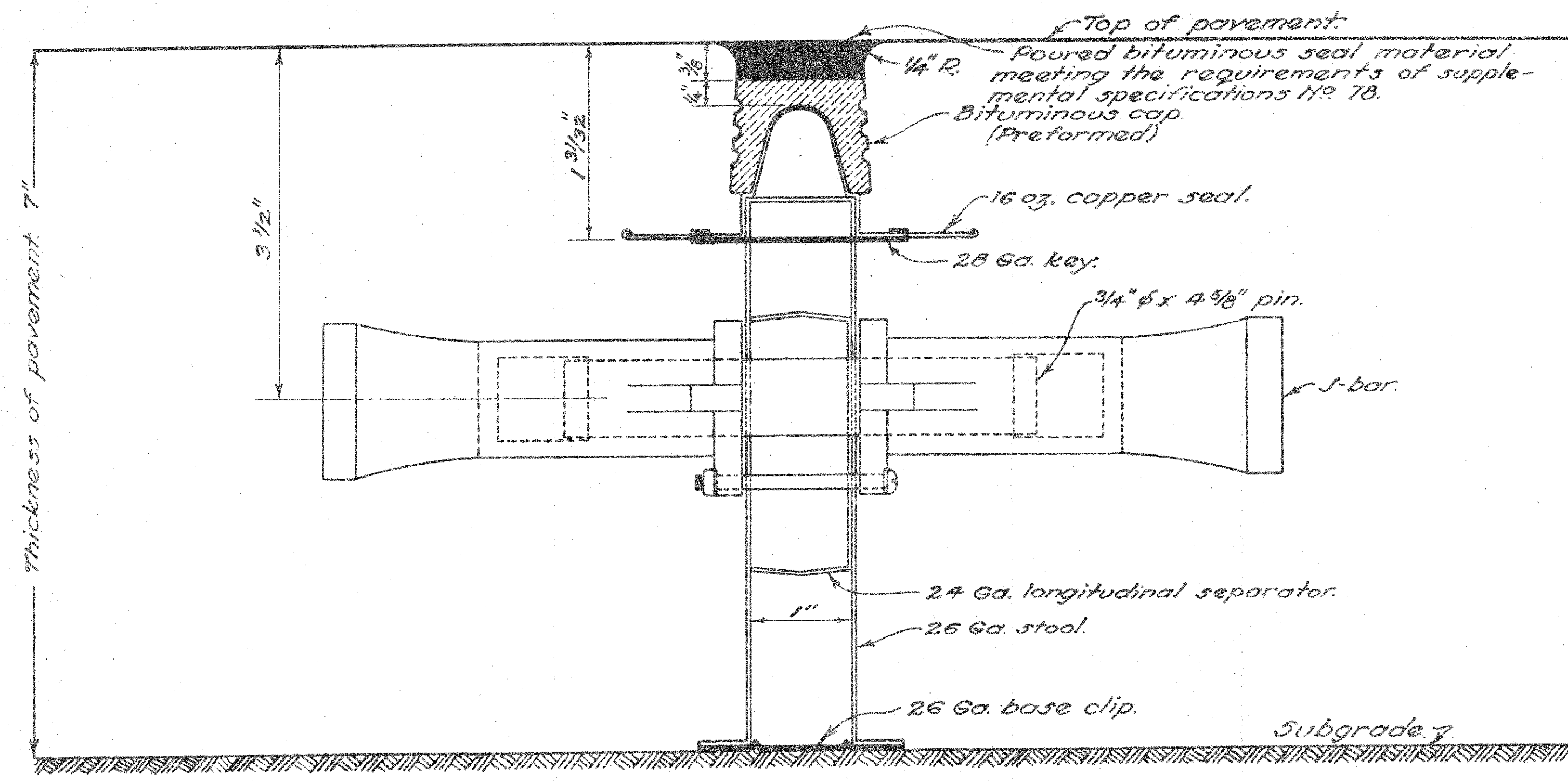
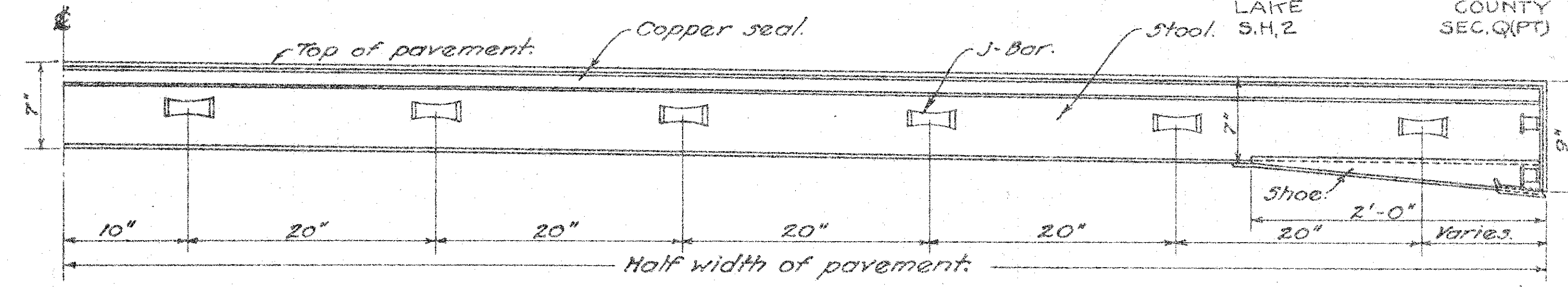
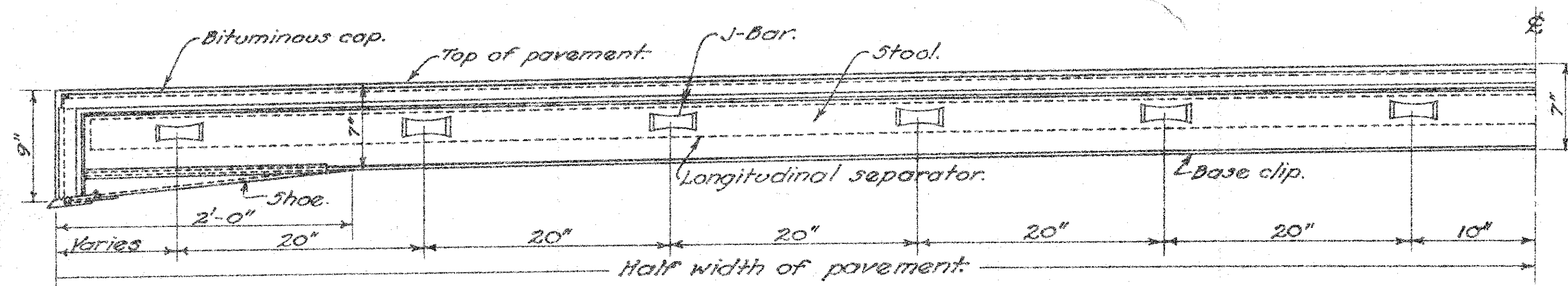
TRANSVERSE JOINTS

FED. RD. DIST. NO.	STATE	FED. AID PROJECT	FISCAL YEAR	4 39
10	OHIO	666-1(2) 5(3)	1938	

EXPANSION JOINT

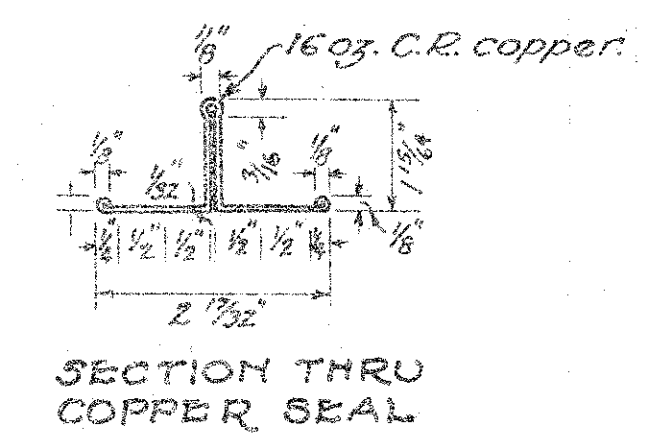
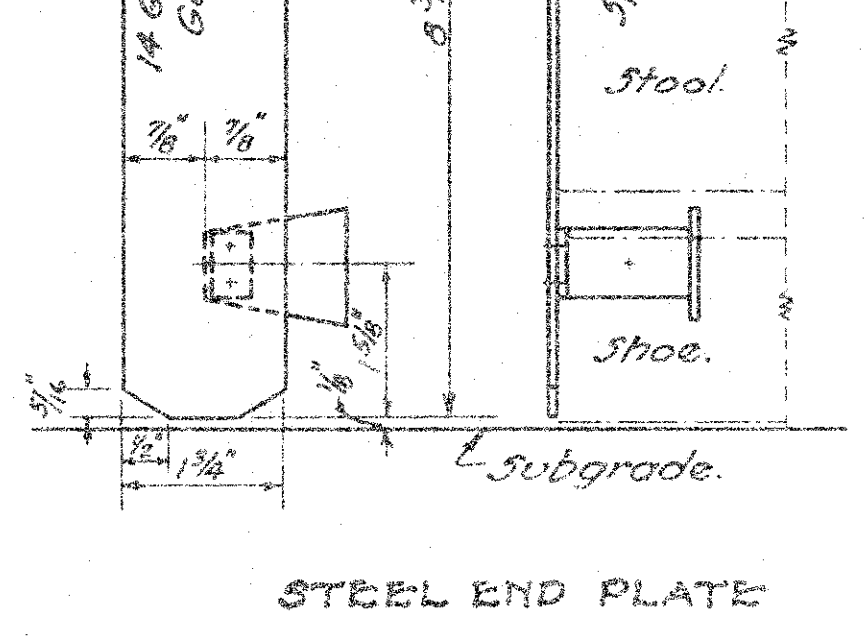
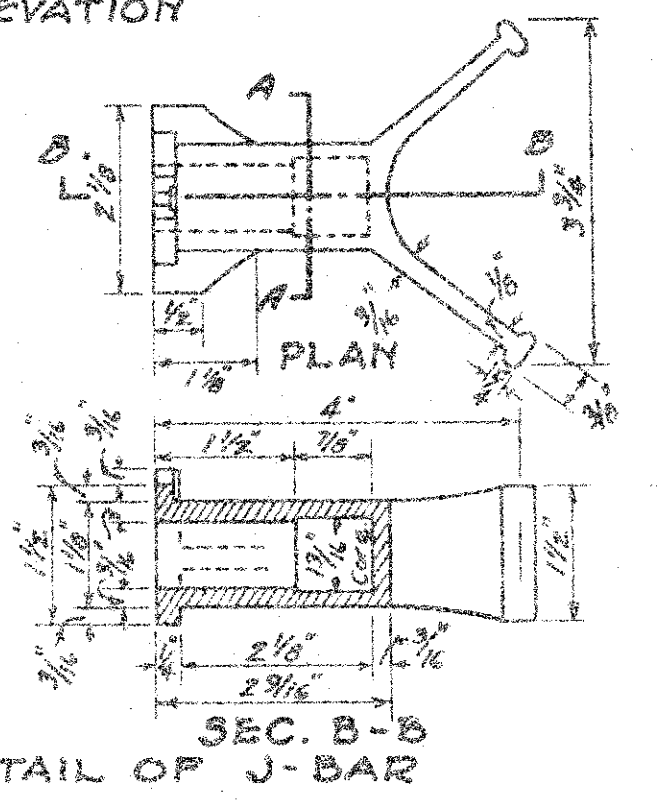
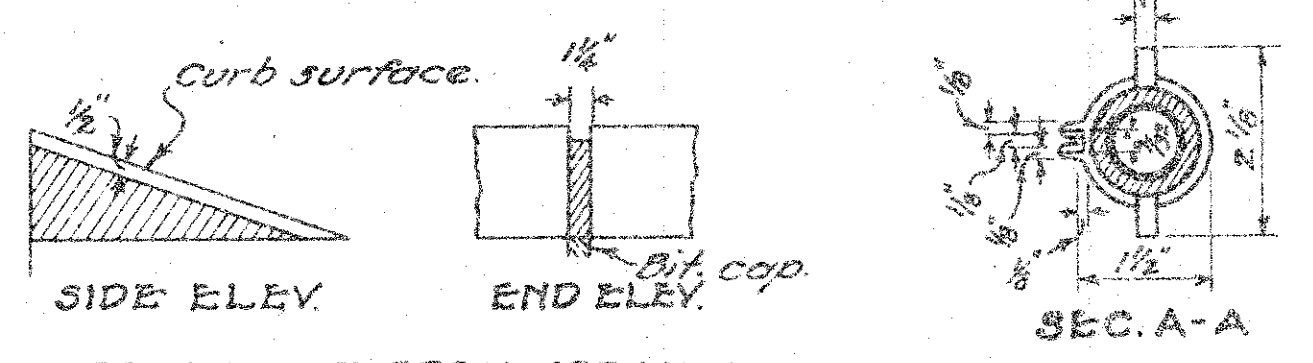
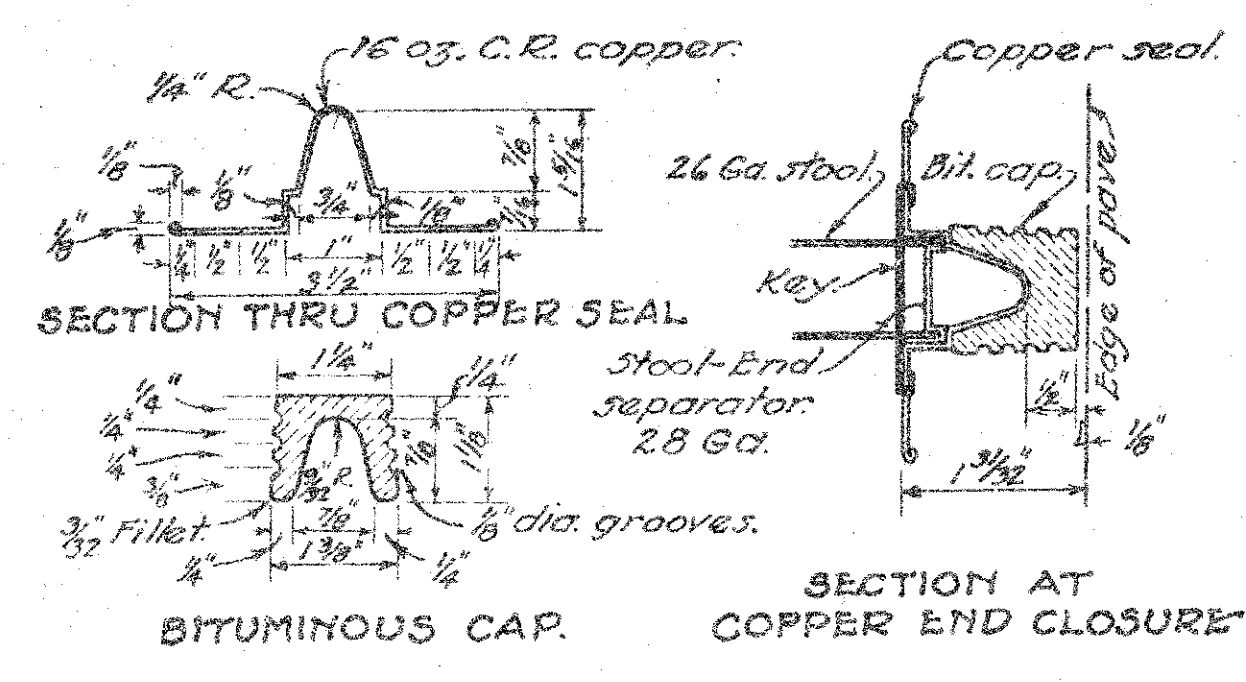
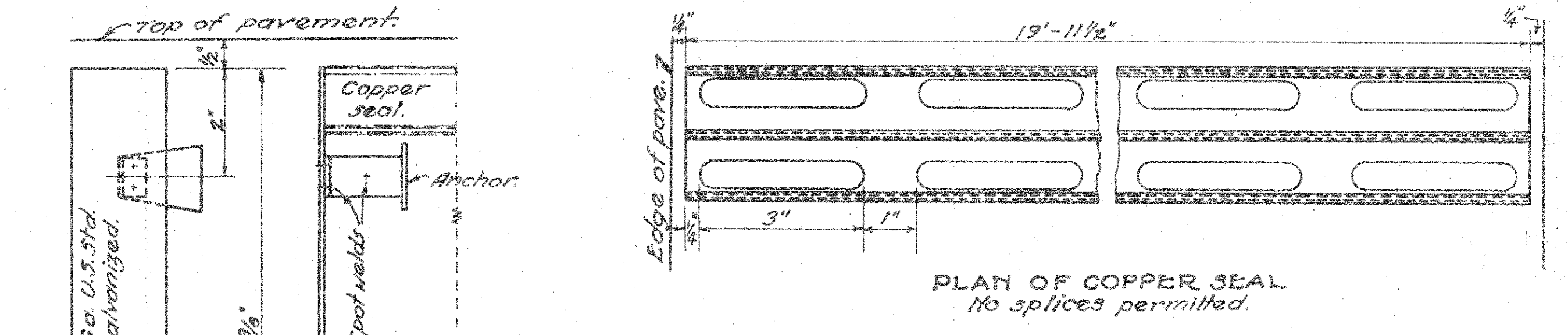
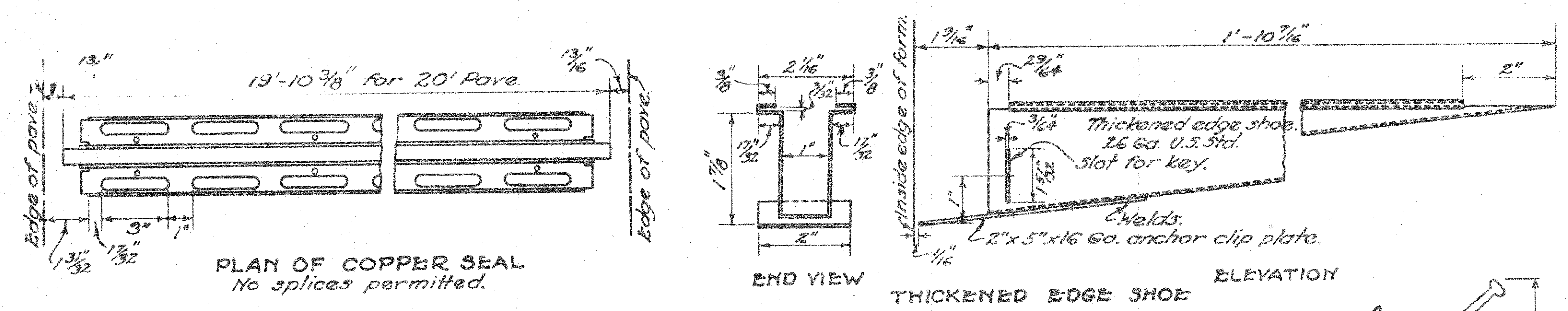
CONSTRUCTION JOINT

ASHTABULA COUNTY
S.H.2 SEC. M(PT)
LAKE COUNTY SEC. Q(PT)
S.H.2



TYPICAL SECTION OF JOINT

TYPICAL SECTION OF JOINT



TJ-1