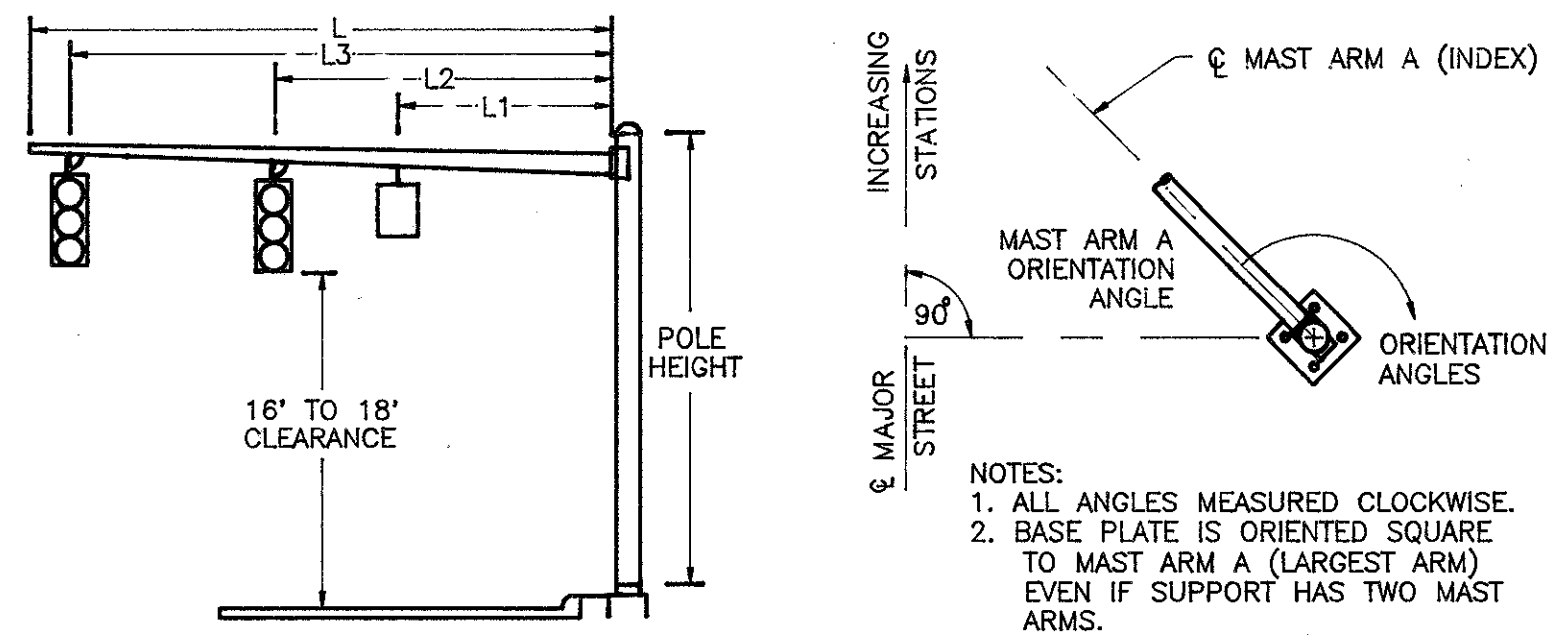
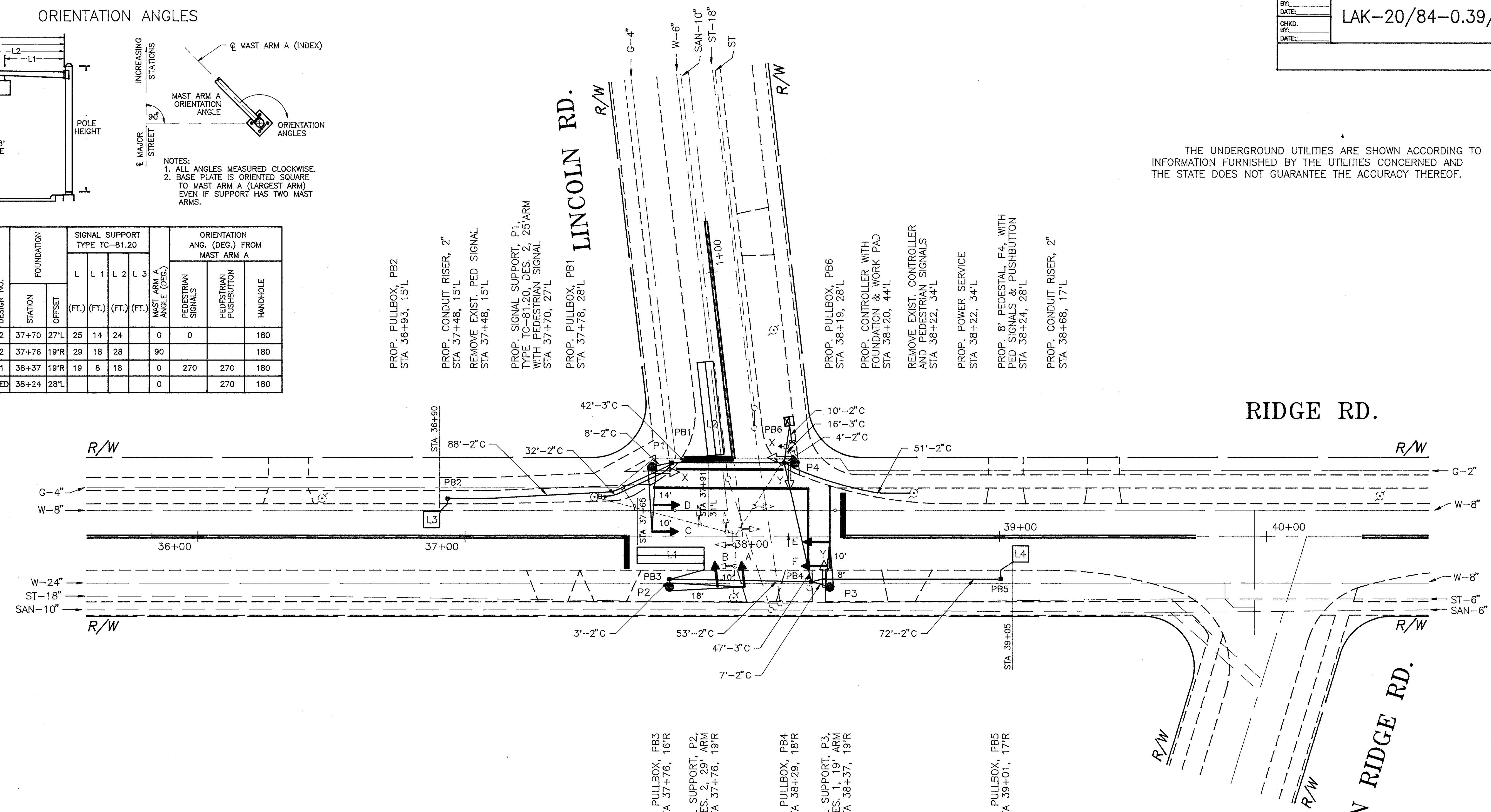
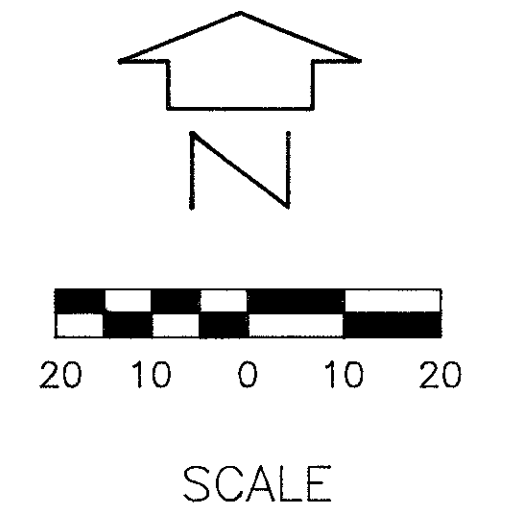


ORIENTATION ANGLES

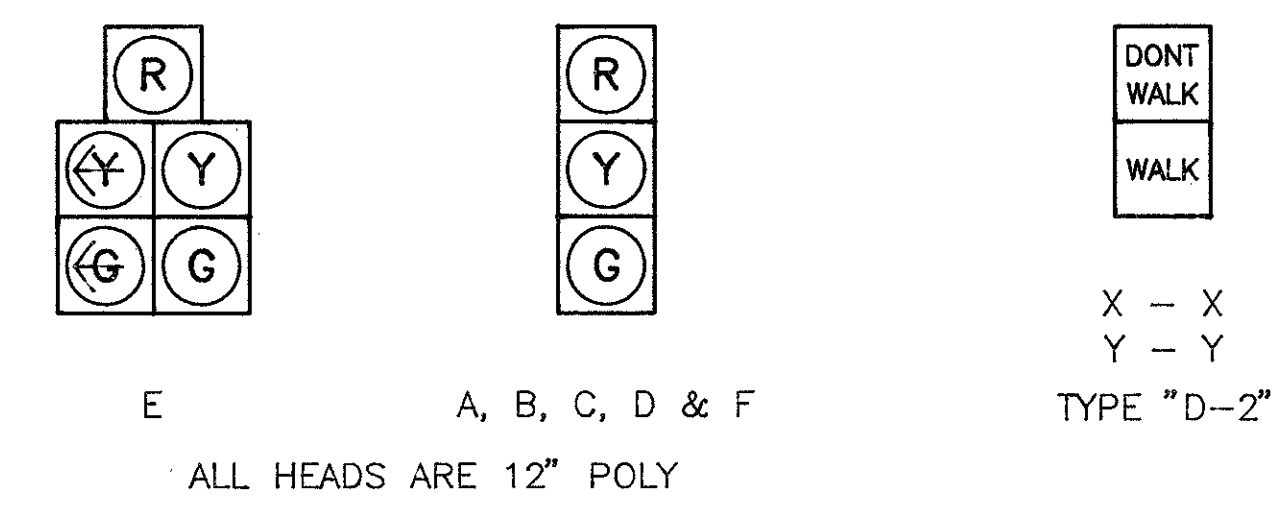


SUPPORT NO.	DESIGN NO.	FOUNDATION		SIGNAL SUPPORT TYPE TC-81.20				ORIENTATION ANG. (DEG.) FROM MAST ARM A		
		STATION	OFFSET	L (FT.)	L1 (FT.)	L2 (FT.)	L3 (FT.)	MAST ARM A ANGLE (DEG.)	PEDESTRIAN SIGNALS	PEDESTRIAN PUSHBUTTON
P1	2	37+70	27'L	25	14	24		0	0	180
P2	2	37+76	19'R	29	18	28		90		180
P3	1	38+37	19'R	19	8	18		0	270	180
P4	PED	38+24	28'L					0	270	180

THE UNDERGROUND UTILITIES ARE SHOWN ACCORDING TO INFORMATION FURNISHED BY THE UTILITIES CONCERNED AND THE STATE DOES NOT GUARANTEE THE ACCURACY THEREOF.



SIGNALS



ALL PAVEMENT MARKINGS BY OTHERS

PROP. PULLBOX, PB3
STA 37+76, 16'R

PROP. SIGNAL SUPPORT, P2,
TYPE TC-81.20, DES. 2, 29' ARM
STA 37+76, 19'R

PROP. PULLBOX, PB4
STA 38+29, 18'R

PROP. SIGNAL SUPPORT, P3,
TYPE TC-81.20, DES. 1, 19' ARM
STA 38+37, 19'R

PROP. PULLBOX, PB5
STA 39+01, 17'R