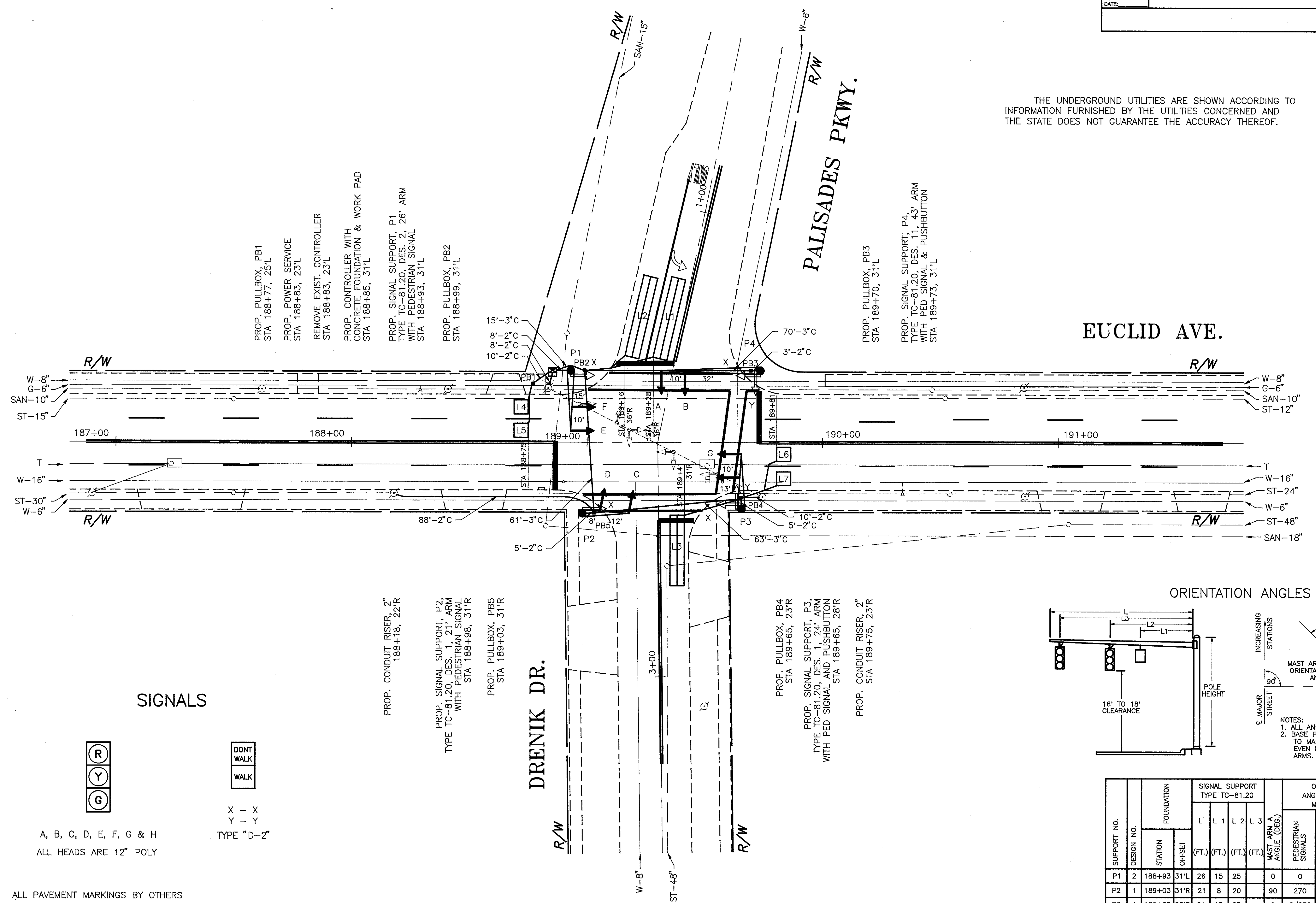
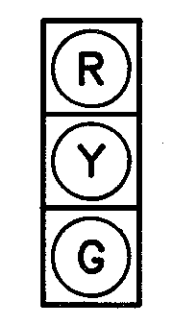


THE UNDERGROUND UTILITIES ARE SHOWN ACCORDING TO INFORMATION FURNISHED BY THE UTILITIES CONCERNED AND THE STATE DOES NOT GUARANTEE THE ACCURACY THEREOF.



SIGNALS



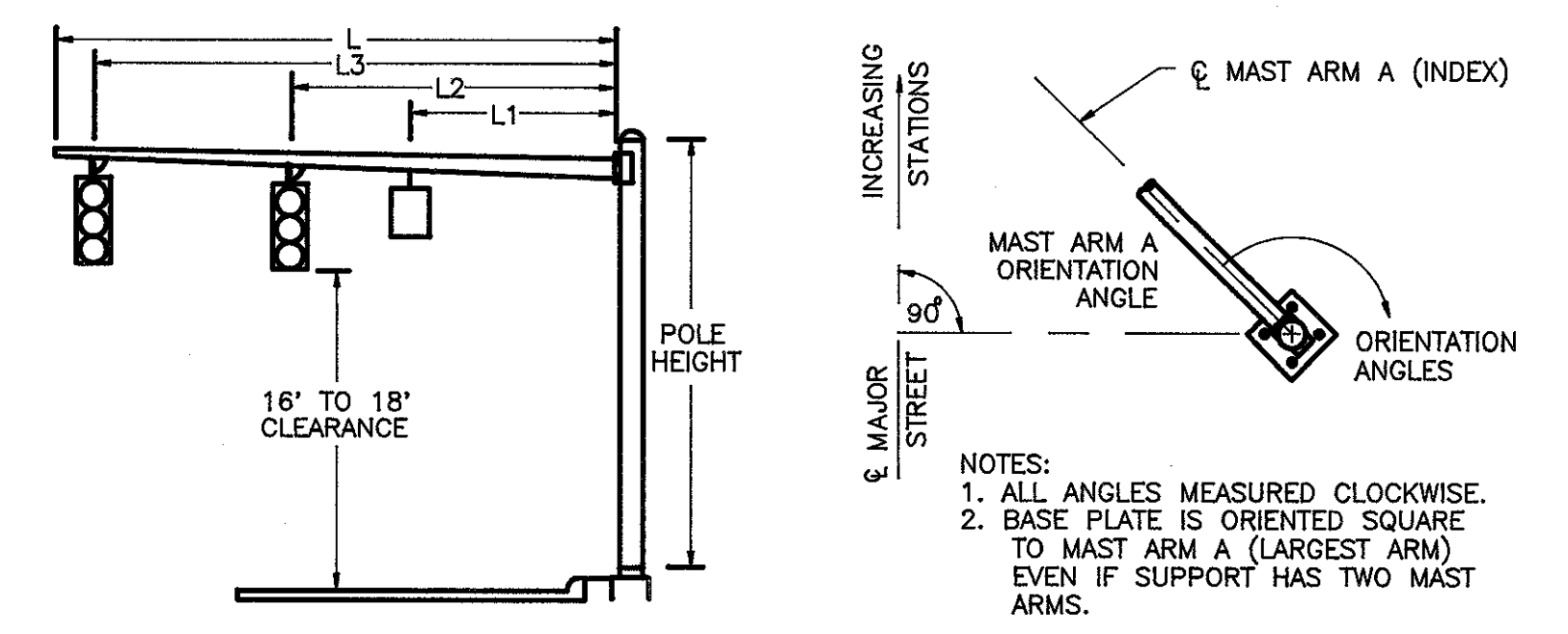
A, B, C, D, E, F, G & H
ALL HEADS ARE 12" POLY



X - X
Y - Y
TYPE "D-2"

ALL PAVEMENT MARKINGS BY OTHERS

ORIENTATION ANGLES



SUPPORT NO.	DESIGN NO.	FOUNDATION		SIGNAL SUPPORT TYPE TC-81.20				ORIENTATION ANG. (DEG.) FROM MAST ARM A		
		STATION	OFFSET	L (FT.)	L 1 (FT.)	L 2 (FT.)	L 3 (FT.)	MAST ARM A ANGLE (DEG.)	PEDESTRIAN SIGNALS	PEDESTRIAN PUSHBUTTON
P1	2	188+93	31'L	26	15	25	0	0		180
P2	1	189+03	31'R	21	8	20	90	270		180
P3	1	189+65	28'R	24	13	23	0	0/270	270	180
P4	11	189+73	31'L	43	32	42	90	0/270	270	180