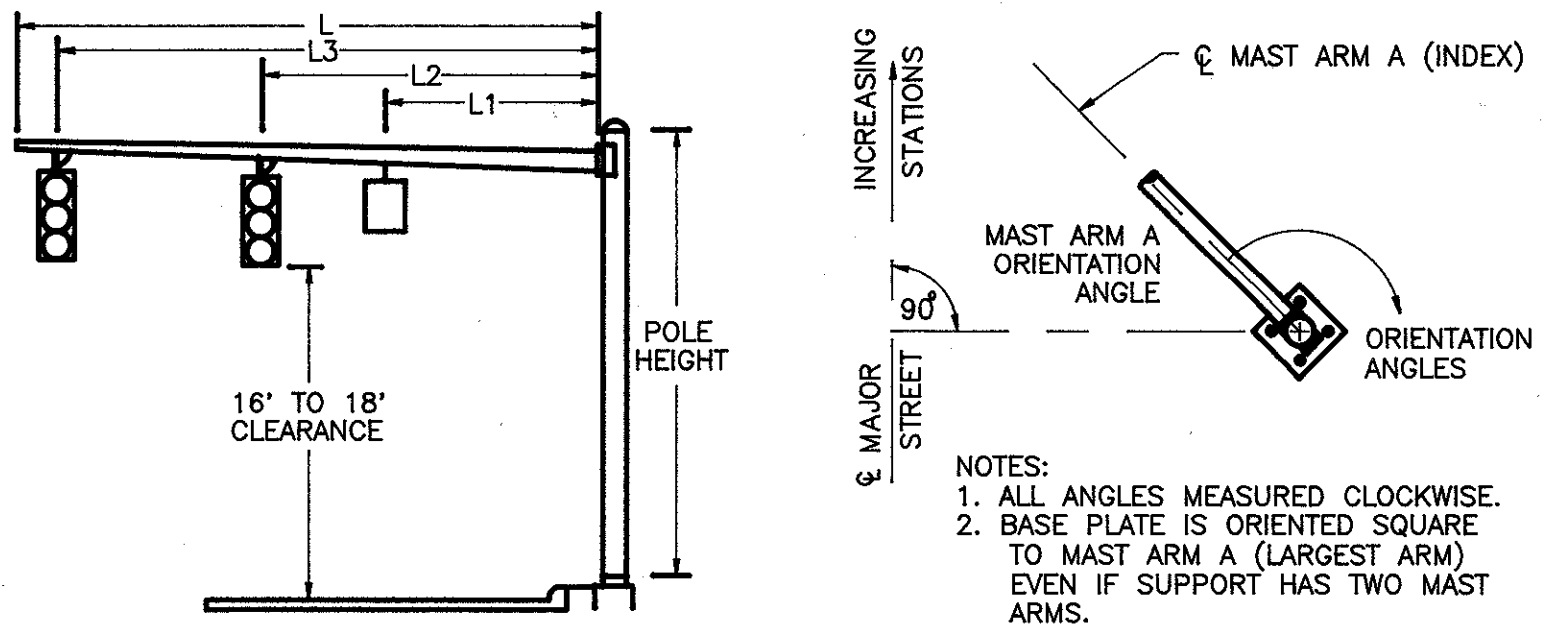


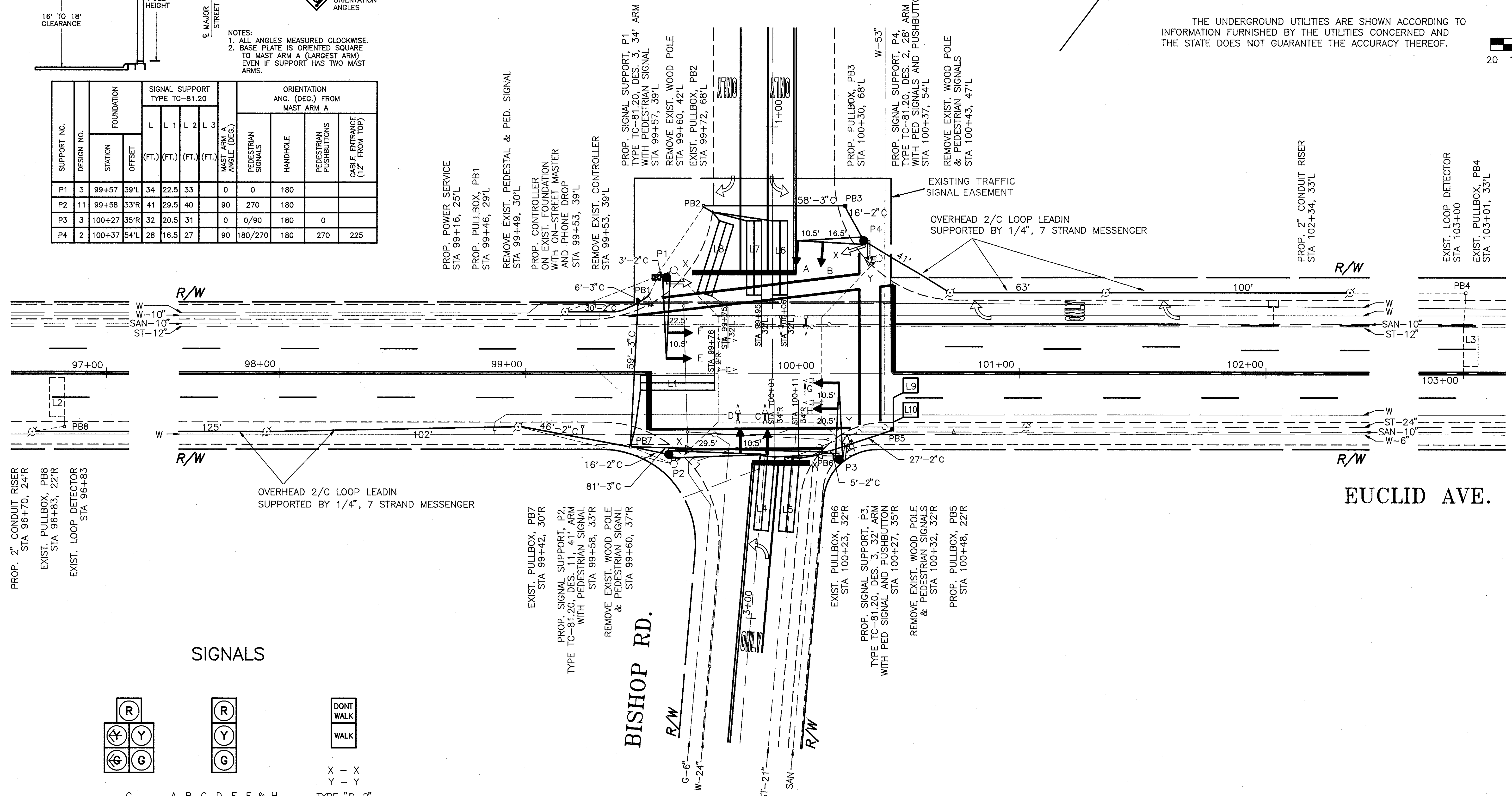
ORIENTATION ANGLES



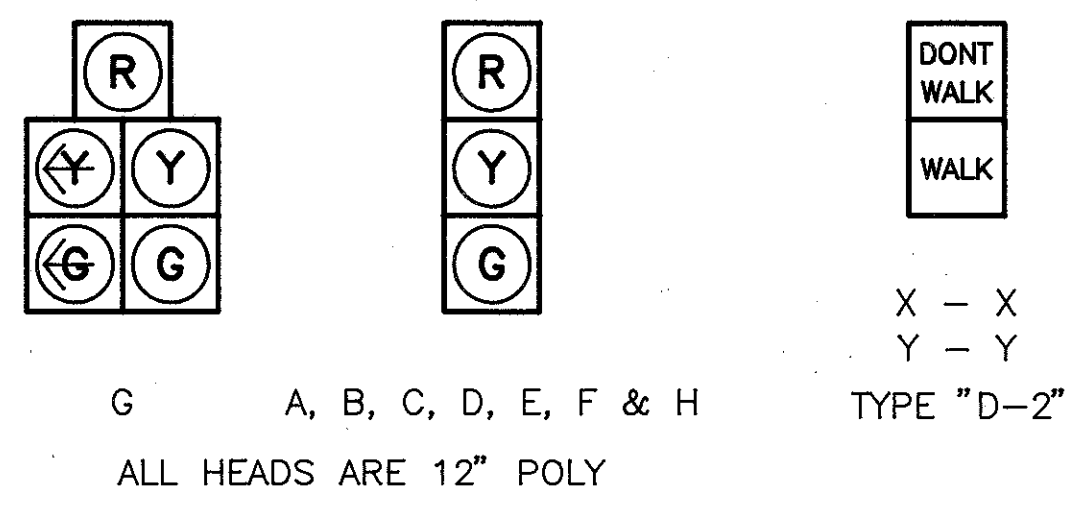
SUPPORT NO.	DESIGN NO.	STATION	FOUNDATION OFFSET	SIGNAL SUPPORT TYPE TC-81.20				MAST ARM A ANGLE (DEG.)	ORIENTATION ANG. (DEG.) FROM MAST ARM A			
				L	L 1	L 2	L 3		PEDESTRIAN SIGNALS	HANDHOLE	PEDESTRIAN PUSHBUTTONS	CABLE ENTRANCE (12" FROM TOP)
P1	3	99+57	39'L	34	22.5	33	0	0	180			
P2	11	99+58	33'R	41	29.5	40	90	270	180			
P3	3	100+27	35'R	32	20.5	31	0	0/90	180	0		
P4	2	100+37	54'L	28	16.5	27	90	180/270	180	270	225	

BISHOP SQUARE DR.

THE UNDERGROUND UTILITIES ARE SHOWN ACCORDING TO INFORMATION FURNISHED BY THE UTILITIES CONCERNED AND THE STATE DOES NOT GUARANTEE THE ACCURACY THEREOF.



SIGNALS



ALL PAVEMENT MARKINGS BY OTHERS