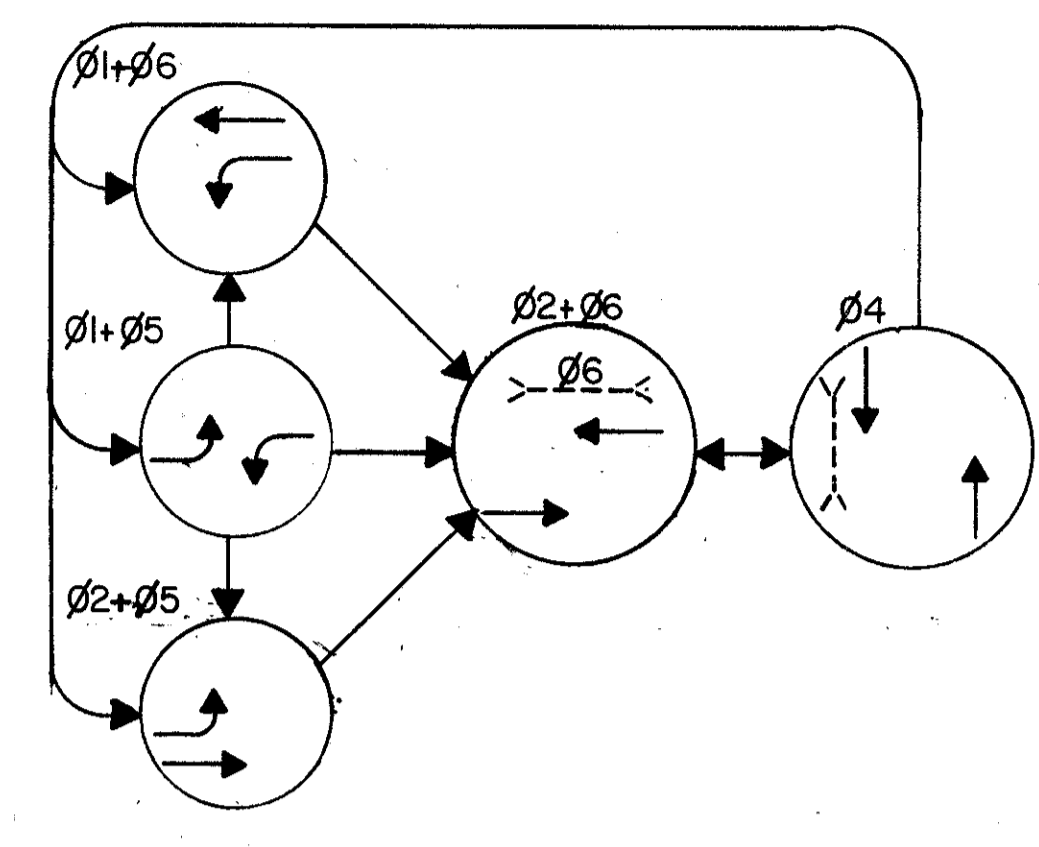
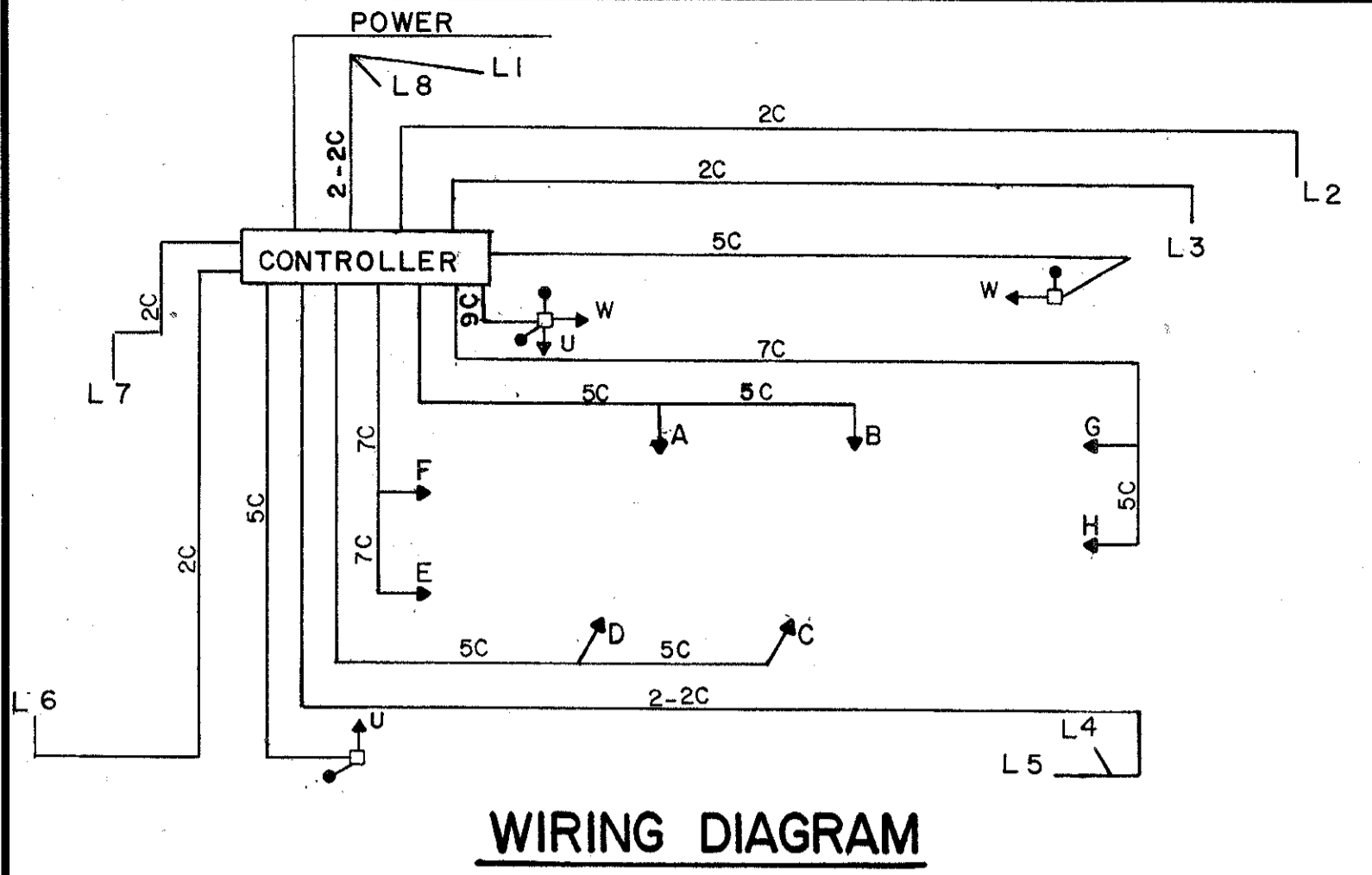


**PAVEMENT MARKING LEGEND**

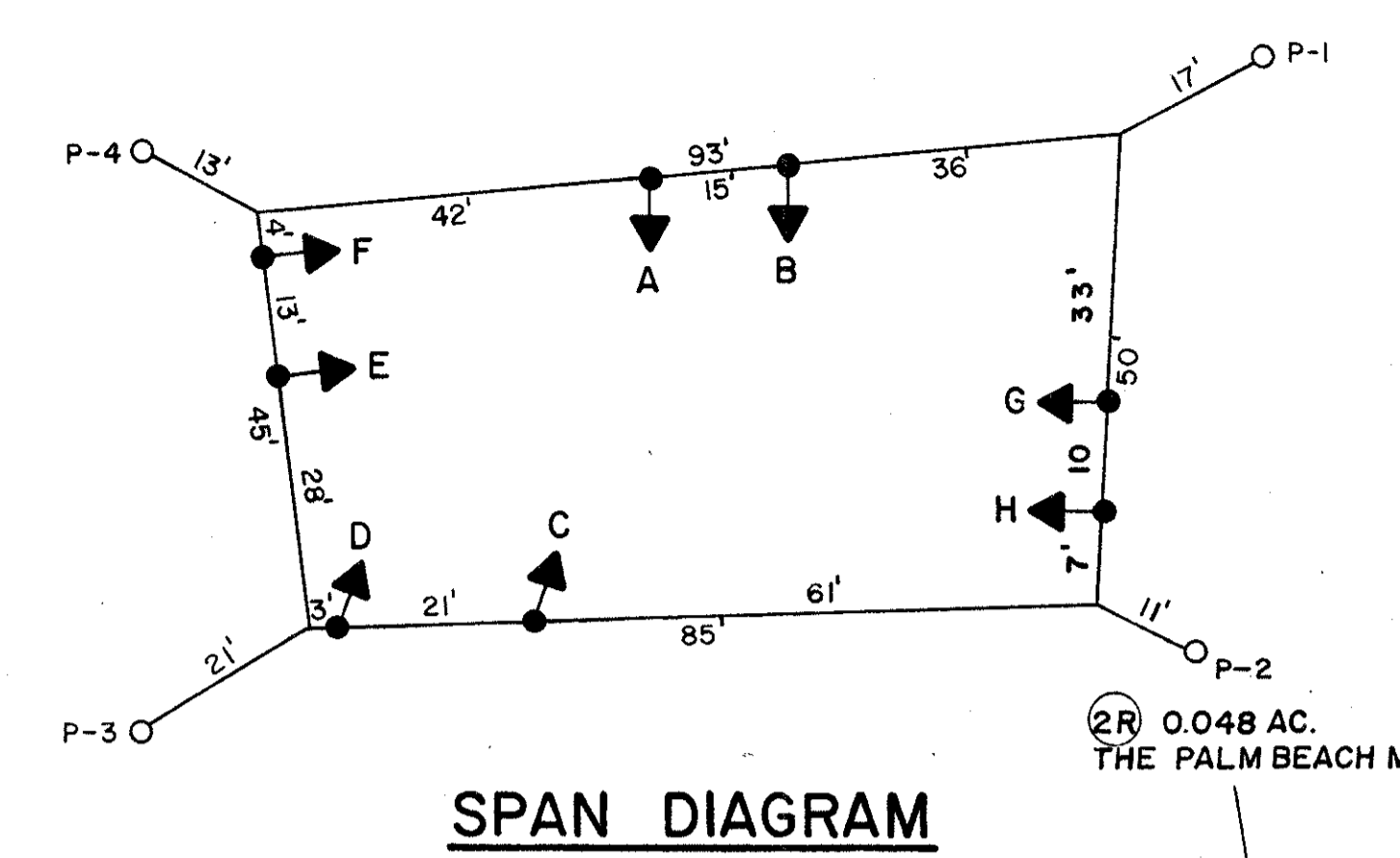
- (A) LANE LINE
- (B) CENTER LINE, SINGLE BROKEN
- (C) CHANNELIZING LINE
- (D) DOTTED LINE (White or Yellow)
- (E) CENTER LINE, DOUBLE SOLID
- (F) STOP LINES
- (G) CROSSWALK LINES
- (H) CENTERLINE, DOUBLE BROKEN, 1 SOLID
- (I) TRANSVERSE LINES
- (J) LANE ARROW
- (K) WORD "ONLY" ON PAVEMENT, 72"
- (L) SCHOOL SYMBOL MARKING, 72"
- (M) ISLAND MARKING, YELLOW
- (N) PARKING STALL MARKING
- (P) YELLOW EDGE LINE



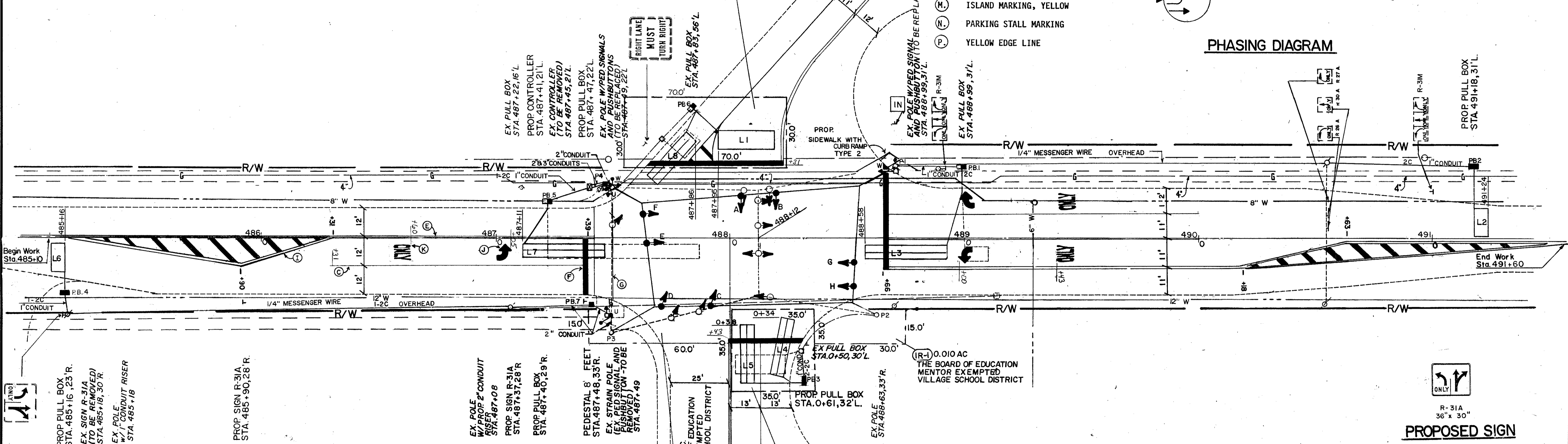
**PHASING DIAGRAM**



**WIRING DIAGRAM**



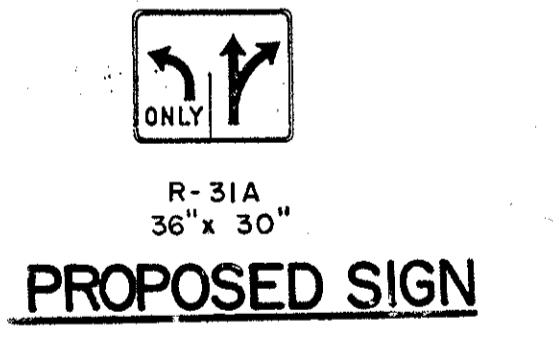
**SPAN DIAGRAM**



PROP. PULL BOX STA. 485+16, 23 R.  
EX. SIGN R-31A (TO BE REMOVED) STA. 485+18, 30 R.  
EX. POLE W/ 1" CONDUIT RISER STA. 485+18  
PROP. SIGN R-31A STA. 485+90, 28 R.

EX. POLE W/ PROP. 2" CONDUIT RISER STA. 487+08  
PROP. SIGN R-31A STA. 487+37, 28 R.  
PROP. PULL BOX STA. 487+40, 29 R.  
PEDESTAL 8 FEET STA. 487+48, 33 R.  
EX. STRAIN POLE AND SIGNAL HEAD (TO BE REMOVED) STA. 487+49

EX. PULL BOX STA. 487+83, 56 L.  
EX. POLE W/ PIPED SIGNALS AND PUSHBUTTONS (TO BE REPLACED) STA. 488+99, 31 L.  
EX. PULL BOX STA. 488+99, 31 L.  
EX. PULL BOX STA. 488+99, 31 L.  
PROP. PULL BOX STA. 491+18, 31 L.



**PROPOSED SIGN**

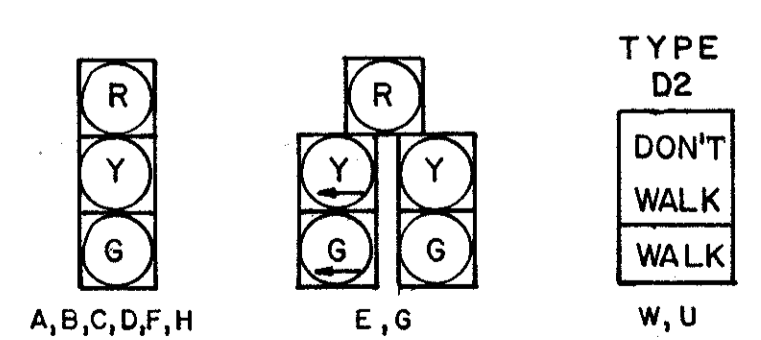
FUNCTION	Ø1	Ø2	Ø4	Ø5	Ø6
MINIMUM GREEN	7	20	10	7	20
PED WALK			8		10
PED CLEARANCE			8		18
GREEN EXTENSION	2	4	3	2	4
MAXIMUM GREEN	20		40		20
YELLOW CLEARANCE	3	3	3.5	3	3
ALL RED CLEARANCE	1	1.5	1	1	1.5
RECALL	OFF	ON	OFF	OFF	ON

**SUGGESTED SIGNAL TIMING**

SIGNAL HEAD	Ø1+Ø5	Ø1+Ø6	Ø2+Ø5	Ø2+Ø6	Ø4	FLASH
A, B	R/R	R/R	R/R	R/R	G/G	Y/R
C, D	R/R	R/R	R/R	R/R	G/G	Y/R
E	R/G	R/G	R/R	R/R	G/G	Y/R
F	R/R	R/R	R/R	R/R	G/G	Y/R
G	R/G	R/R	R/R	R/R	G/G	Y/R
H	R/R	R/R	R/R	R/R	G/G	Y/R
W, W	D/D	D/D	D/D	D/D	W/WD	D/D
U, U	D/D	D/D	D/D	D/D	W/WD	D/D

NOTES  
 ① REMAINS R/G IF 01+06 NEXT  
 ② REMAINS R/G IF 02+05 NEXT

**SIGNAL DISPLAY CHART**



**12" SIGNAL HEADS**

Loop	Size	Number of Turns	Mode	Delay (Sec)	PHASE	Detector Unit
L 1	8' x 24'	2	PRESENCE		4	1
L 2	6' x 12'	3	PULSE			2
L 3	6' x 35'	2-4-2	PRESENCE	2	1	3
L 4	6' x 25'	2-4-2	PRESENCE	5	4	4
L 5	6' x 25'	2-4-2	PRESENCE		4	4
L 6	6' x 12'	3	PULSE			5
L 7	6' x 35'	2-4-2	PRESENCE	2	5	6
L 8	6' x 25'	2-4-2	PRESENCE	5	4	7

**LOOP CHART**

THE UNDERGROUND UTILITIES ARE SHOWN ACCORDING TO INFORMATION FURNISHED BY THE UTILITIES CONCERNED AND THE STATE DOES NOT GUARANTEE THE ACCURACY THEREOF.

TRAFF-PRO CONSULTANTS INC.  
WILLOUGHBY, OHIO

STATE OF OHIO  
DEPARTMENT OF TRANSPORTATION

S.R.84 & RIDGE JR. HIGH DR.

DESIGNED	DRAWN	TRACED	CHECKED	REVIEW DATE	REVISED
					J.PETTI 8-19-85