

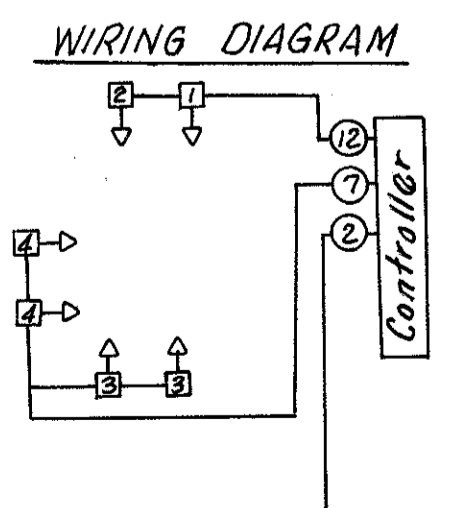
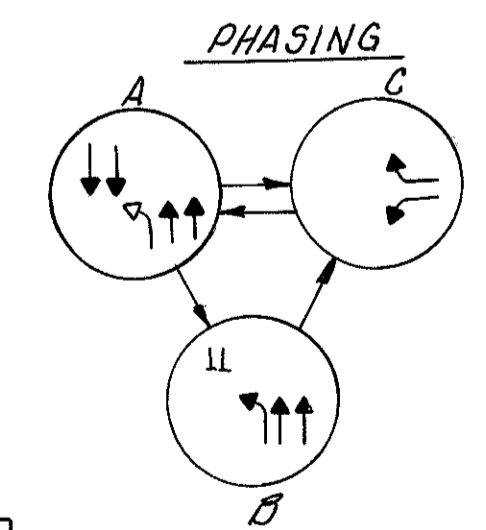
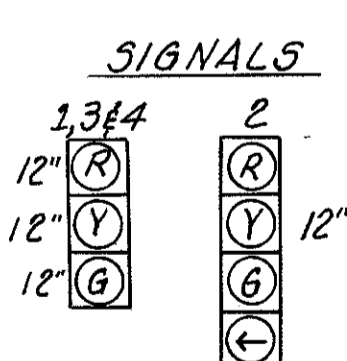
COLOR SEQUENCE CHART

SIGNAL NO.	LENS	DIAL SETTING (Seconds)				
		41	37	321	3	
		INTERVAL				
		1	2	3	4	5
1	R	(2)				
	Y	(2)				
	G					
2	R	(1)				
	Y	(1)				
	G					
3	R					
	Y					
	G					
4	R					
	Y					
	G					

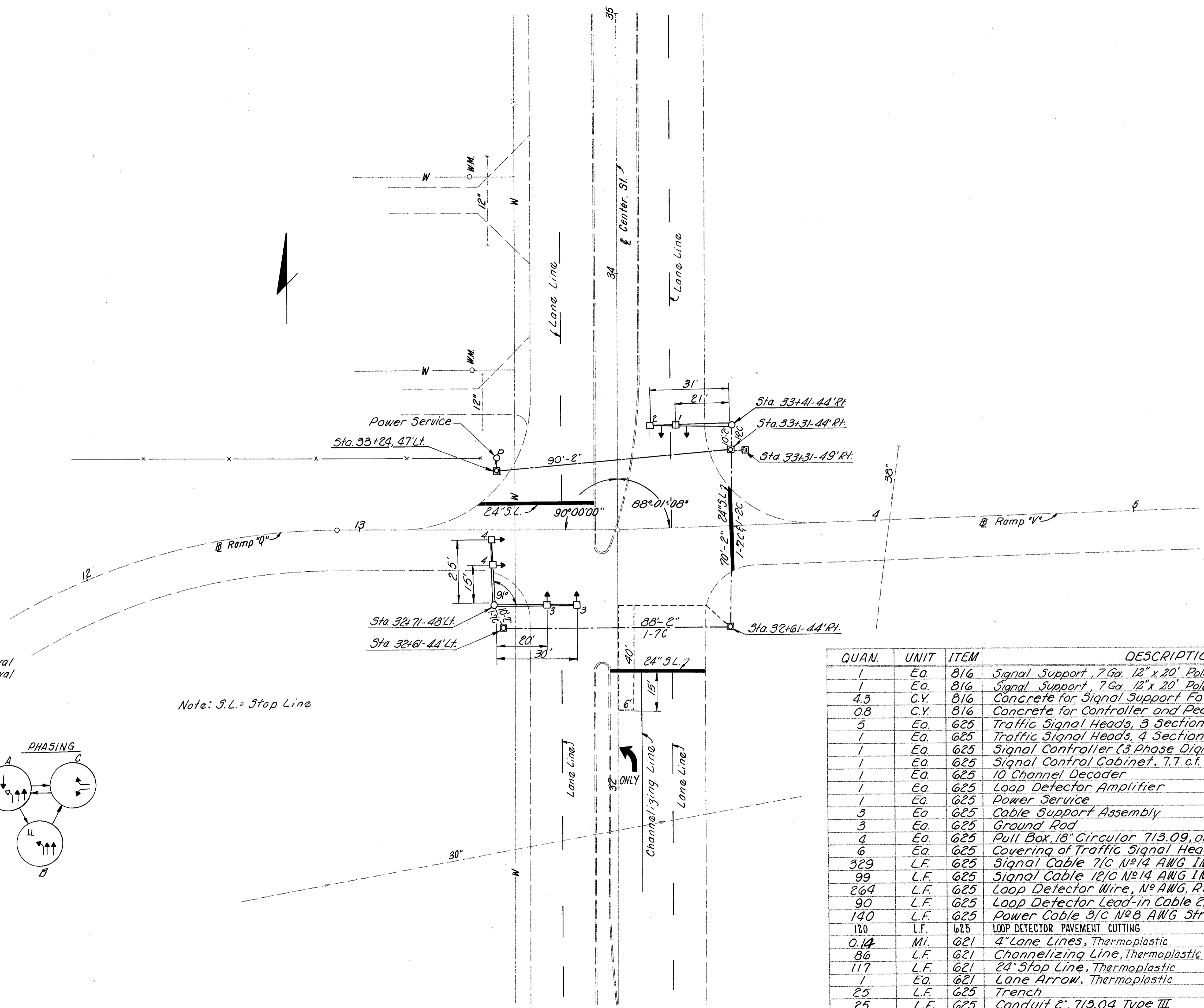
Offset 1 - 73 Seconds
Offset 2 - 35 Seconds
Offset 3 - 28 Seconds

(1) Ø A to Ø B Clearance Interval
(2) Ø A to Ø C Clearance Interval

Offset 1 - Average
Offset 2 - Inbound
Offset 3 - Outbound



Note: S.L. = Stop Line



CALC: PCB 4-73
CHK: 4-73

QUAN.	UNIT	ITEM	DESCRIPTION
1	Ea.	816	Signal Support, 7 Ga. 12" x 20' Pole, 26' & 32' Arms
1	Ea.	816	Signal Support, 7 Ga. 12" x 20' Pole, 32' Arm
4.3	C.Y.	816	Concrete for Signal Support Foundations
0.8	C.Y.	816	Concrete for Controller and Pedestal Foundation
5	Ea.	625	Traffic Signal Heads, 3 Section, 12" Lens, One Way
7	Ea.	625	Traffic Signal Heads, 4 Section, 12" Lens, One Way
1	Ea.	625	Signal Controller (3 Phase Digital Solid State Traffic Timer)
1	Ea.	625	Signal Control Cabinet, 7.7 c.f.
1	Ea.	625	10 Channel Decoder
1	Ea.	625	Loop Detector Amplifier
1	Ea.	625	Power Service
3	Ea.	625	Cable Support Assembly
3	Ea.	625	Ground Rod
4	Ea.	625	Pull Box, 18" Circular 713.09, as per plan
6	Ea.	625	Covering of Traffic Signal Heads
329	L.F.	625	Signal Cable 7/C No 14 AWG IMSA 19-1-67
99	L.F.	625	Signal Cable 12/C No 14 AWG IMSA 19-1-67
264	L.F.	625	Loop Detector Wire, No AWG, RHW or RHW Type
90	L.F.	625	Loop Detector Lead-in Cable 2/C No 14 AWG, Twisted Pair, Shielded
140	L.F.	625	Power Cable 3/C No 8 AWG Stranded RHW or RHW Type
120	L.F.	625	LOOP DETECTOR PAVEMENT CUTTING
0.14	Mi.	621	4" Lane Lines, Thermoplastic
86	L.F.	621	Channelizing Line, Thermoplastic
117	L.F.	621	24" Stop Line, Thermoplastic
1	Ea.	621	Lane Arrow, Thermoplastic
25	L.F.	625	Trench
25	L.F.	625	Conduit 2", 713.04 Type III
248	L.F.	625	2" Conduit, Jacked under pavement, as per plan
1	Ea.	202	Removal of Existing Signal Installation
1	Ea.	621	Word "ONLY" on Pavement, Thermoplastic