

COLOR SEQUENCE CHART

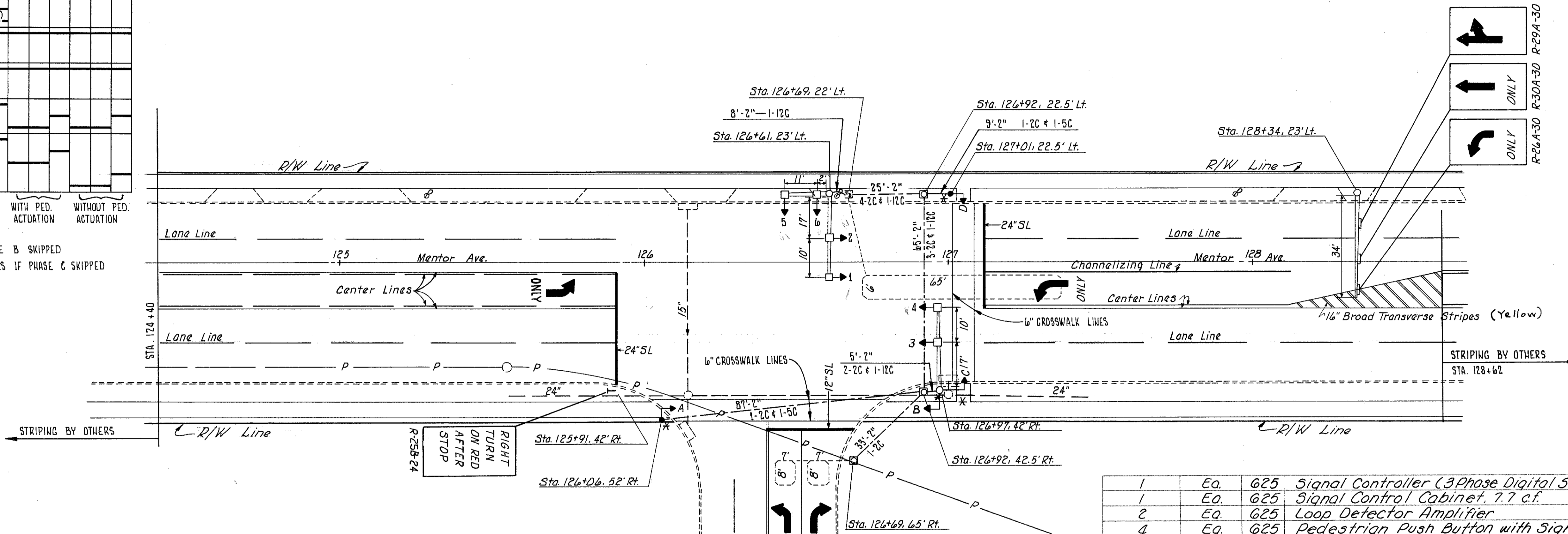
LAK-20/84/283/306/615

STREETS	NUMBER OF SIGNALS	DIAL SETTINGS (SECONDS)																
		INTERVAL																
		1	2	3	4	5	6A	7A	8A	6	7	8						
CROSS STREETS	CROSS G.L.M.	A+B	W															
		DW	F	F														
CROSS STREETS	CROSS G.L.M.	C+D																
		DW																
MENTOR AVE	WESTBOUND	1																
		2																
		3																
		4																
		5																
		6																
MENTOR AVE	EASTBOUND	1																
		2																
		3																
		4																
		5																
		6																
G.L.M. ENTRANCE	NORTHBOUND	1																
		2																
		3																
G.L.M. ENTRANCE	SOUTHBOUND	1																
		2																
		3																

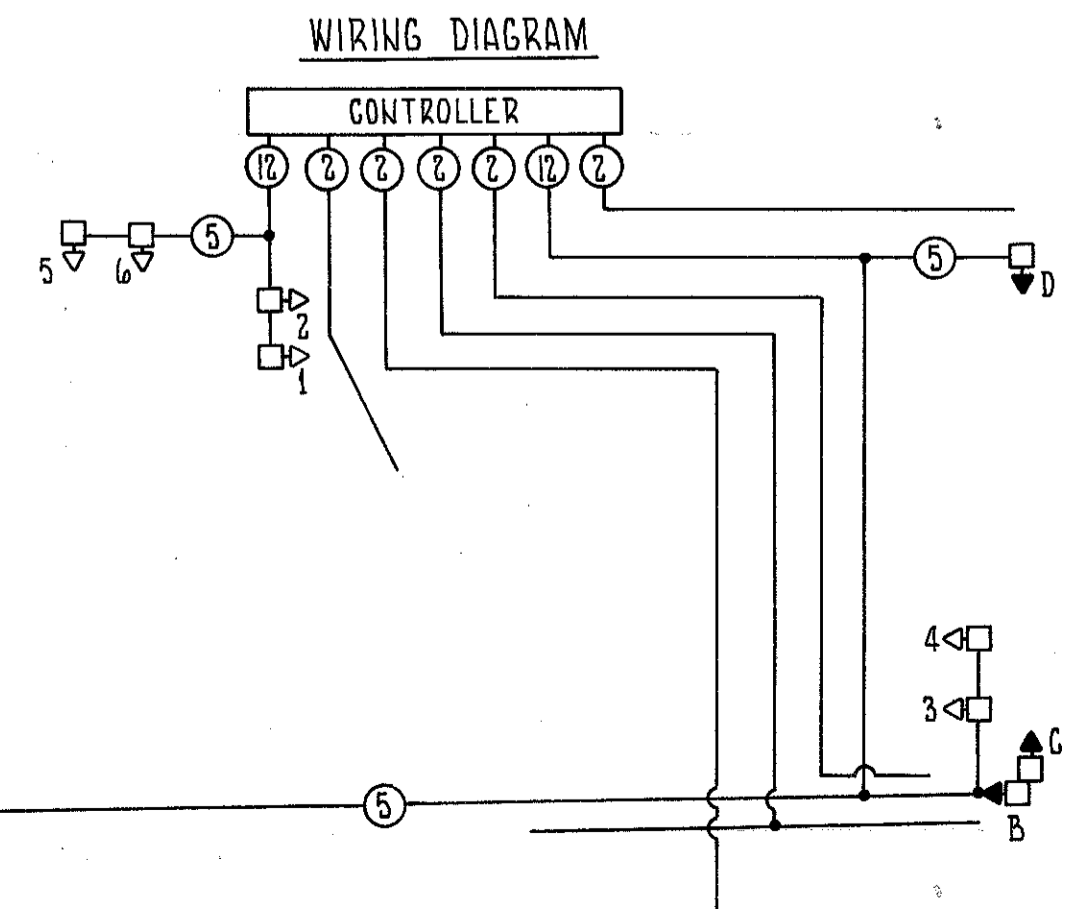
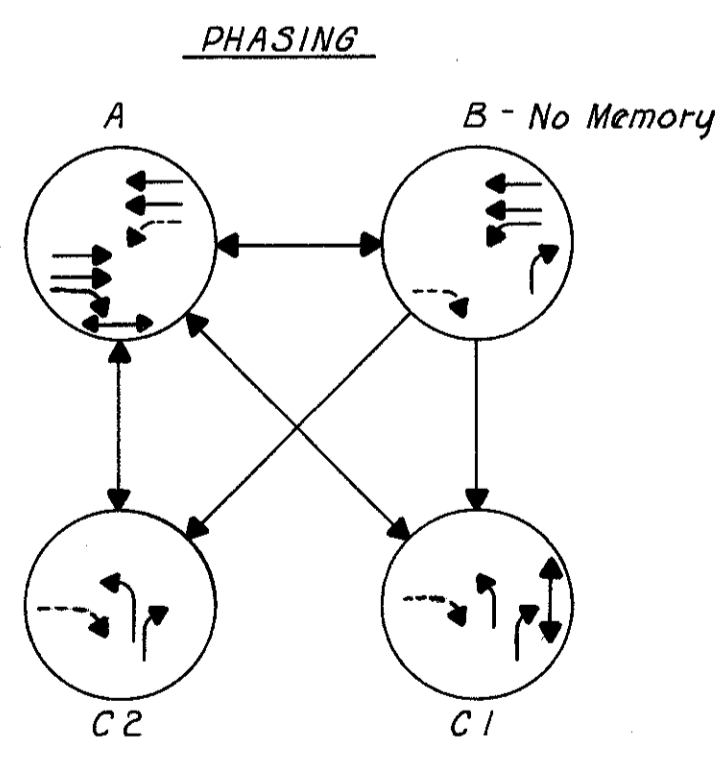
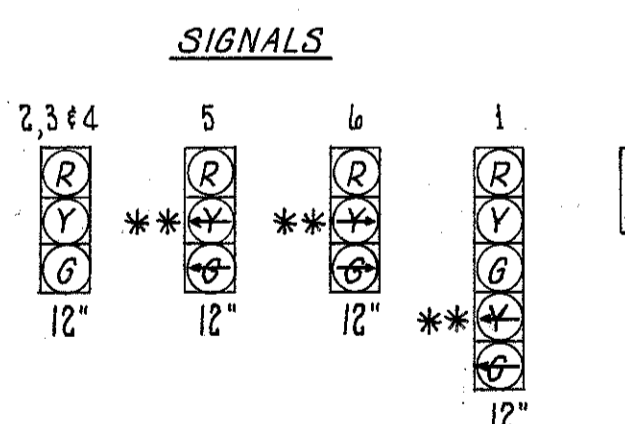
F = FLASHING "DONT WALK"

(1) YELLOW IF PHASE B SKIPPED
(2) GREEN CONTINUES IF PHASE C SKIPPED

OFFSET 1 - AVERAGE
OFFSET 2 - INBOUND
OFFSET 3 - OUTBOUND



CALC: [Signature] 4-73
CHK: [Signature] 4-73



NOTE: ** SECTION TO BE MADE INOPERATIVE AFTER CONNECTION

QUAN.	UNIT	ITEM	DESCRIPTION
1	Ea.	816	Signal Support; 7 Ga., 12" x 20' Pole, 28' Arm
1	Ea.	816	Signal Support; 7 Ga., 12" x 20' Pole, 28' x 14' Arms
1	Ea.	816	Overhead Sign Support; 7 Ga., 12" x 20' Pole, 34' Arm
6.8	C.Y.	816	Concrete for Signal Support Foundations
2	Ea.	816	Pedestrian Sign Support, Pedestal Mounted, 4' x 8'
1.3	C.Y.	816	Concrete for Controller and Pedestal Foundations
5	Ea.	625	Traffic Signal Head, 3 Section, 12" Lens, One Way
1	Ea.	625	Traffic Signal Head, 5 Section, 12" Lens, One Way
4	Ea.	625	Pedestrian Signal Head, Incandescent Colored Bulb Type, 4 1/2" Letters

1	Ea.	625	Signal Controller (3 Phase Digital Solid State Traffic Timer)
1	Ea.	625	Signal Control Cabinet, 7.7 c.f.
2	Ea.	625	Loop Detector Amplifier
4	Ea.	625	Pedestrian Push Button with Sign
142	L.F.	625	Signal Cable 5/C N#14 AWG IMSA 19-1-67
324	L.F.	625	Signal Cable 12/C N#14 AWG IMSA 19-1-67
35	L.F.	625	Power Cable 3/C N#8 AWG Stranded RHW or RHW Type
600	L.F.	625	Loop Detector Wire, N#14 AWG, RHW or RHW Type
619	L.F.	625	Loop Detector Lead-In Cable, 2/C N#14 AWG, Twisted Pair, Shielded
9	Ea.	625	Cable Support Assembly
233	L.F.	625	Loop Detector Pavement Cutting
5	Ea.	625	Ground Rods
3	Ea.	625	Pull Box, 18" Circular 713.09, As Per Plan
80	L.F.	625	Conduit 2", 713.04, Type III
152	L.F.	625	Conduit 2", Jacked Under Pavement, as per plan
80	L.F.	625	Trench
6	Ea.	625	Covering of Traffic Signal Heads
1	Ea.	625	Power Service
1	Ea.	202	Removal of Existing Signal Installation
1	Ea.	625	10 Channel Decoder
23.8	S.F.	815	Signs Flat Sheet Type, As Per Plan
13.5	S.F.	816	Structural Support, 616 Beam Driven
0.14	Mi.	621	4" Lane Line, Thermoplastic
0.07	Mi.	621	Center Line, Double, Thermoplastic (solid)
0.06	Mi.	621	Center Line, Double, Thermoplastic (Solid-Dashed)
160	L.F.	621	Channelizing Lines, Thermoplastic
29	L.F.	621	12" Stop Lines, Thermoplastic
71	L.F.	621	24" Stop Lines, Thermoplastic
274	L.F.	621	6" Crosswalk Lines, Thermoplastic
38	L.F.	621	16" Broad Transverse Stripes
4	Ea.	621	Lane Arrows, Thermoplastic
4	Ea.	621	Word "ONLY" On Pavement, Thermoplastic

NOTE: SL = Stop Line
* Pedestrian Push Button