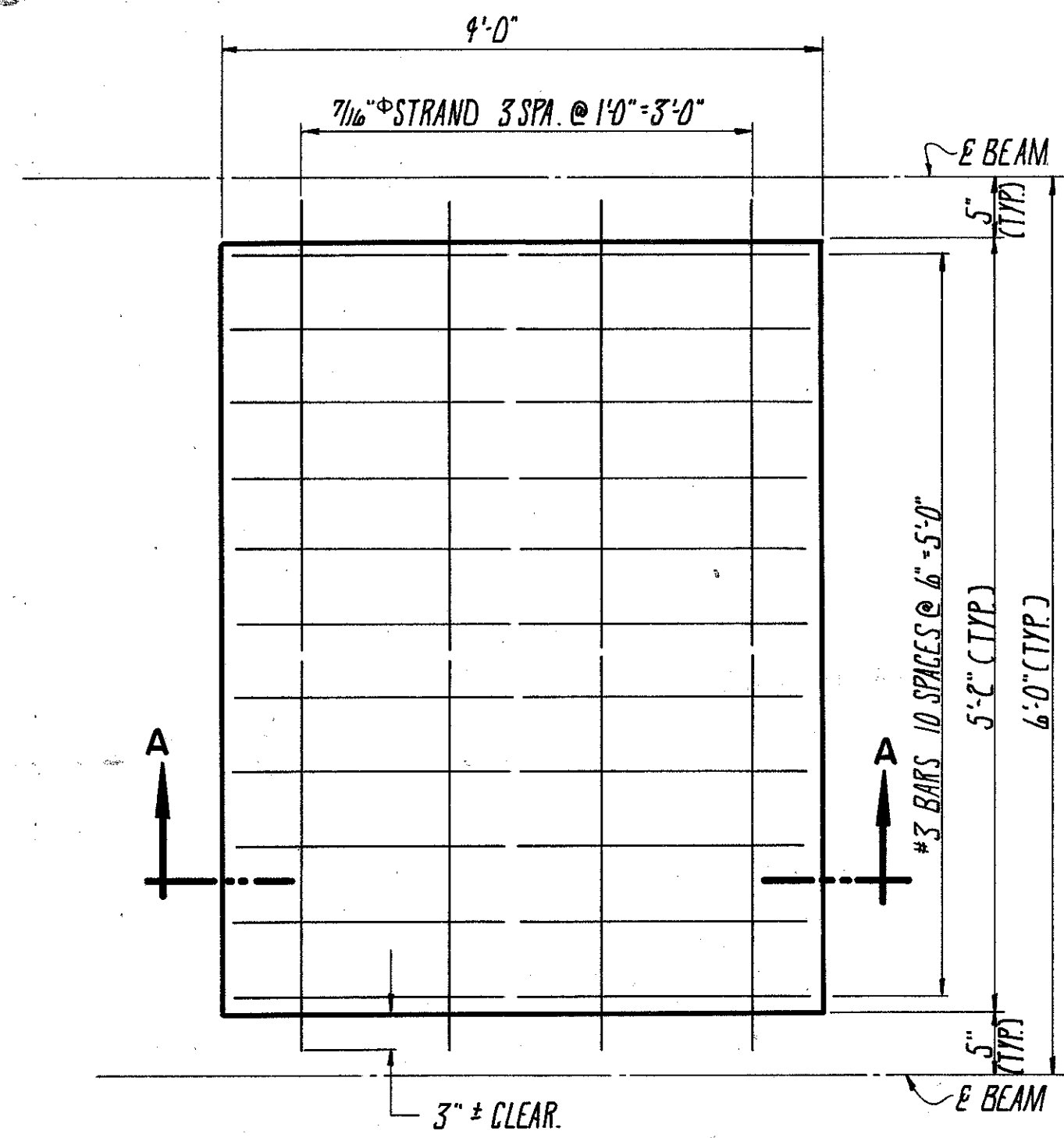


MICROFILMED
JAN 6 1983

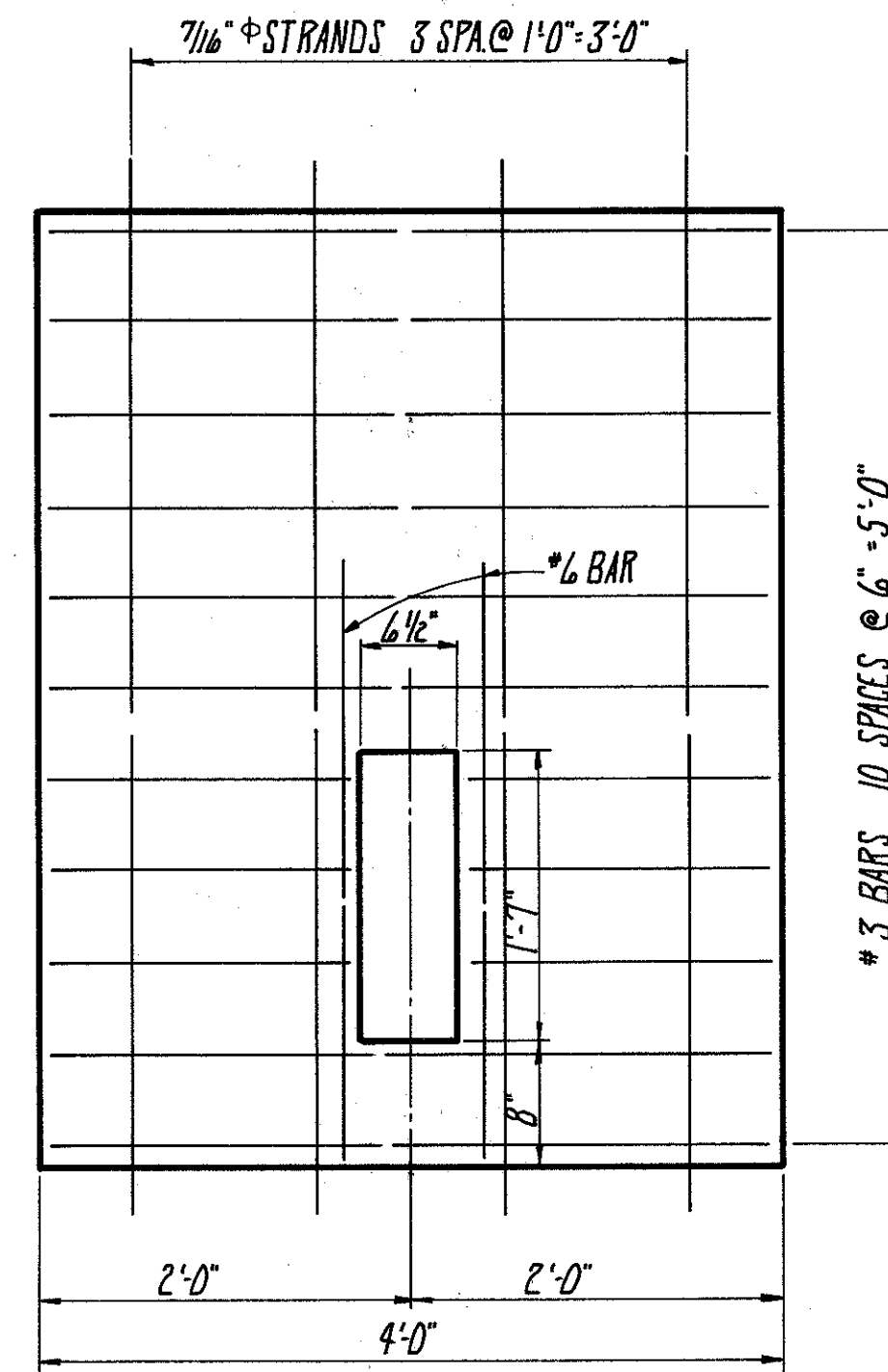
FHWA REGION	STATE	PROJECT
5	OHIO	

13
85

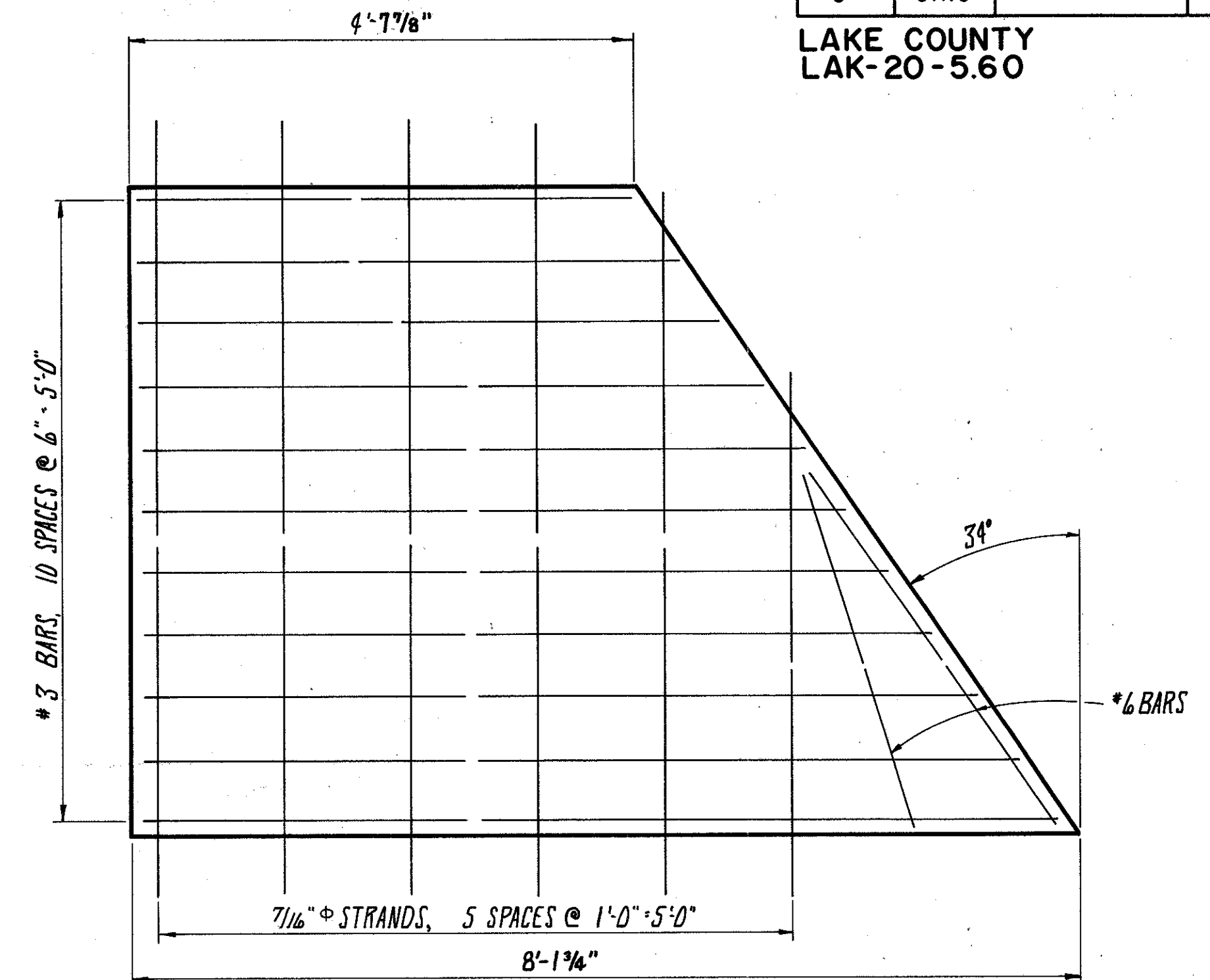
LAKE COUNTY
LAK-20-5.60



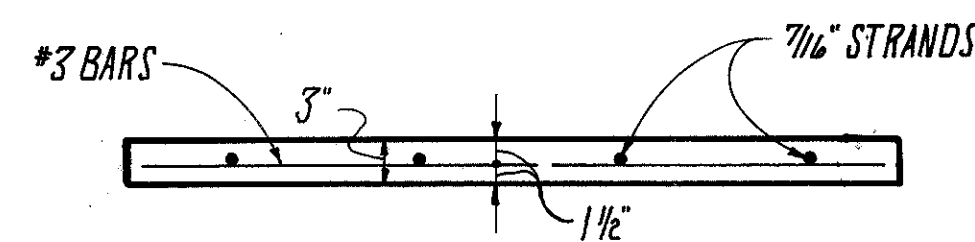
PANEL PLAN
(928 REQUIRED)



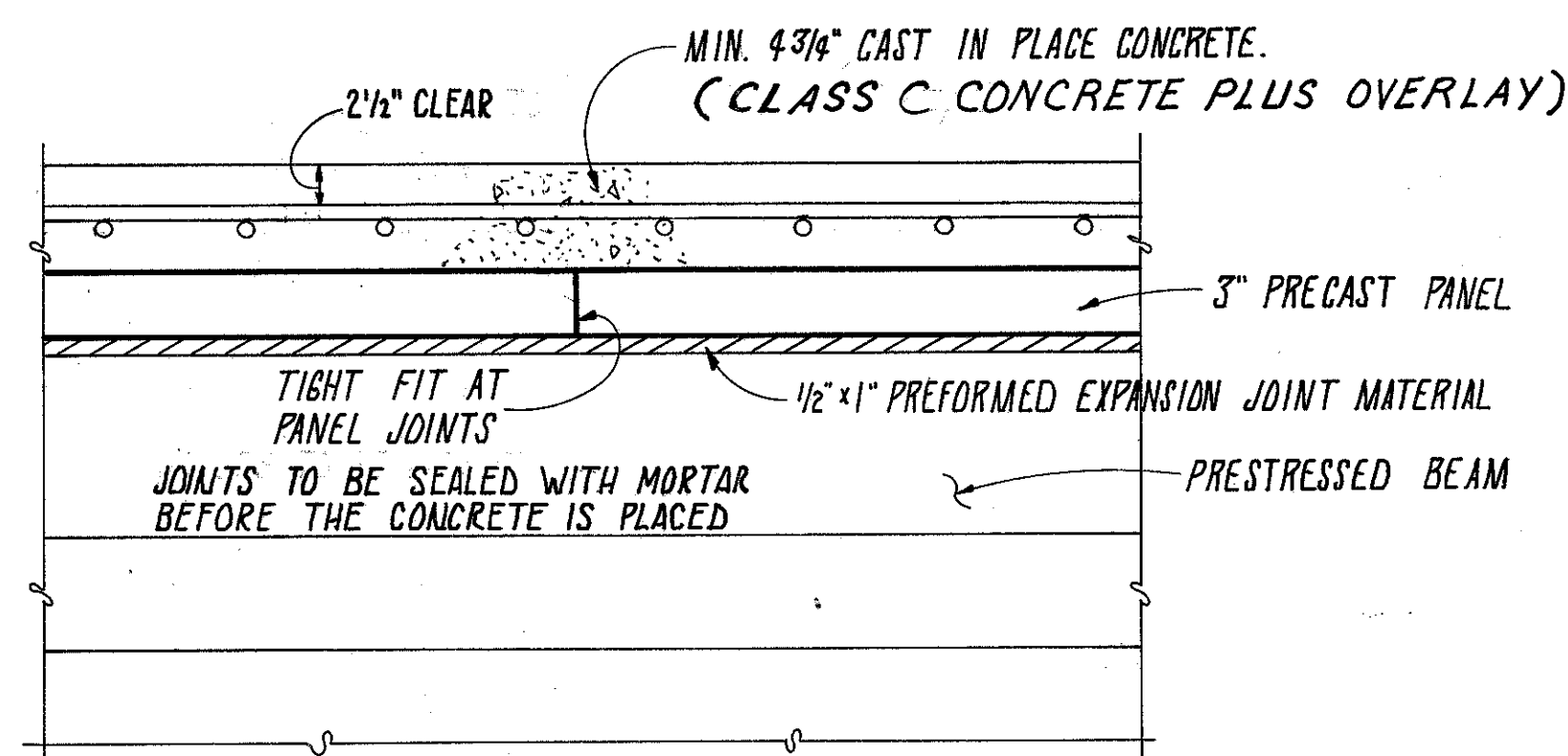
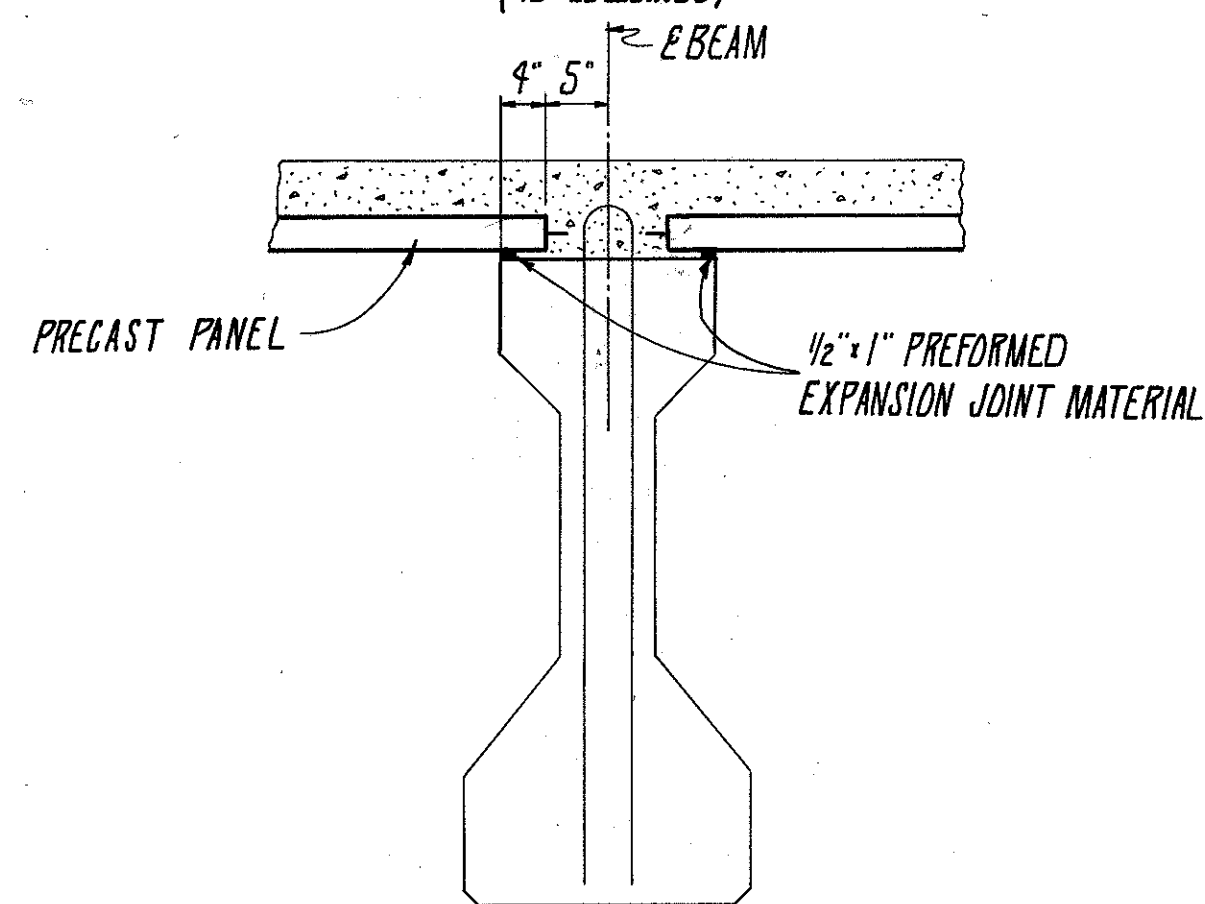
PANEL PLAN w/ OPENING FOR SCUPPERS
(40 REQUIRED)



END PANEL PLAN
(88 REQUIRED)



SECTION A-A



SECTION AT TRANSVERSE PANEL JOINTS

PANEL NOTES

CONCRETE SHALL HAVE A MINIMUM COMPRESSIVE STRENGTH OF 5,500 P.S.I. AT 28 DAYS AND 4,000 P.S.I. AT TRANSFER.

PRESTRESSING STRANDS ARE 7/16" UNCOATED SEVEN WIRE STRESS RELIEVED STRANDS WITH AN INITIAL TENSION OF 21,700 POUNDS PER STRAND.

SUITABLE HOLES OR ANCHORAGE DEVICES FOR LIFTING PANELS MAY BE CAST IN THE PANELS PROVIDED THEY ARE SHOWN ON SHOP PLANS AND APPROVED BY THE ENGINEER.

THE TOP OF THE PRECAST PANEL SHALL BE INTENTIONALLY ROUGHENED THEREBY PROVIDING A SURFACE WITH A FULL AMPLITUDE OF 1/4".

METHOD OF MEASUREMENT: THE QUANTITY IS MEASURED IN SQUARE YARDS RATHER THAN AS SHOWN IN 515.09.

FRANKLIN CONSULTANTS INC. 12/14						
COLUMBUS, OHIO Consulting Engineers						
PRECAST PRESTRESSED CONCRETE PANEL DETAILS						
CITY OF WILLOUGHBY CHAGRIN RIVER BRIDGE						
DESIGNED	DRAWN	TRACED	CHECKED	REVIEWED	DATE	REVISED
FA	B.B.	B.B.	MM	JF	5/19/77	5/15/78