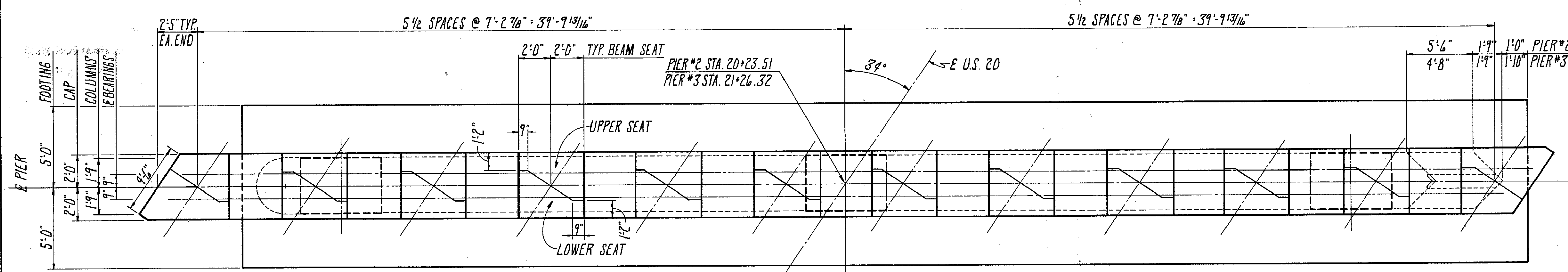


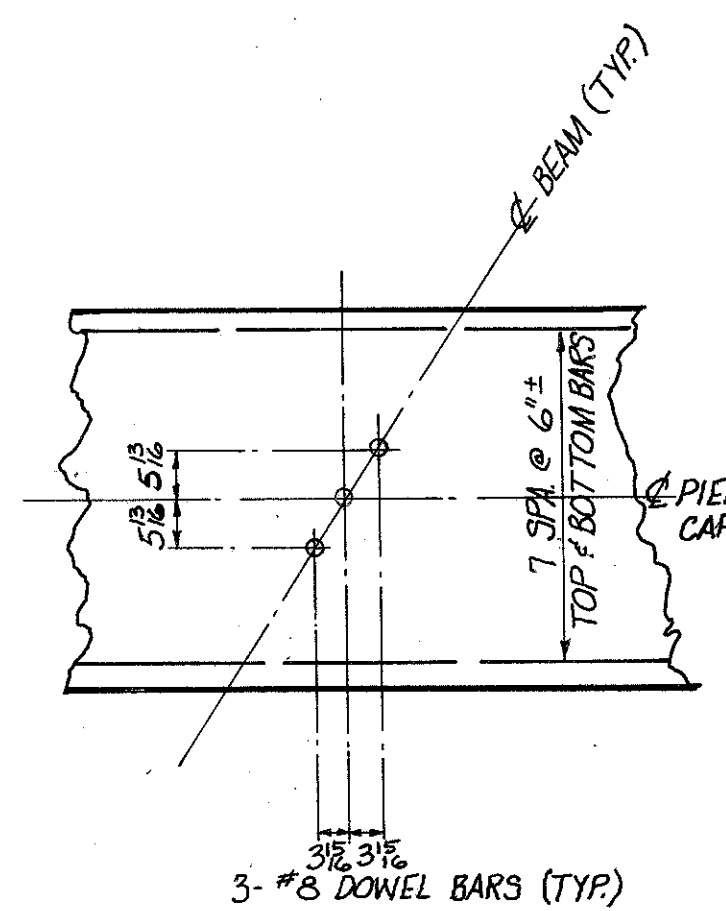
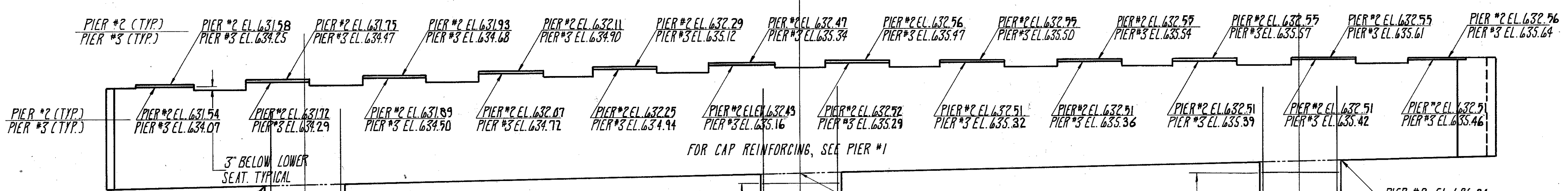
FHWA REGION	STATE	PROJECT	69 85
5	OHIO		

LAKE COUNTY
LAK-20-5.60

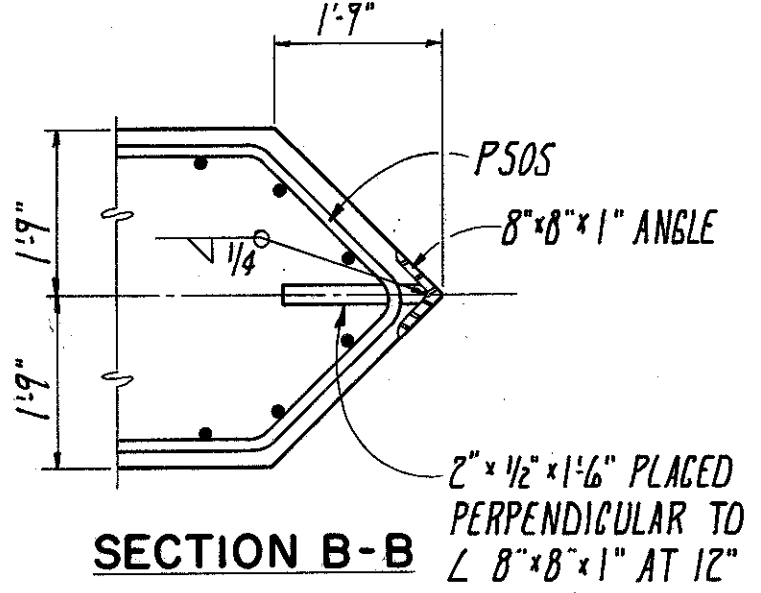
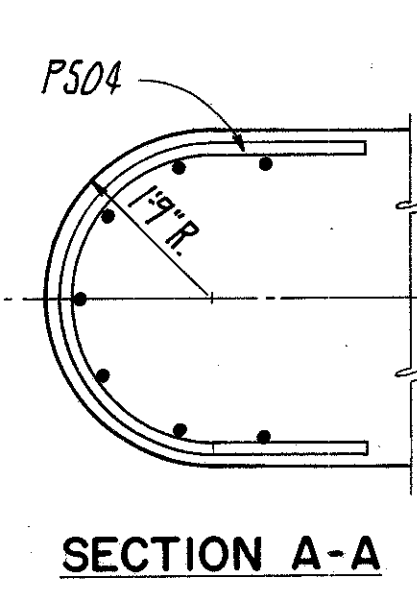
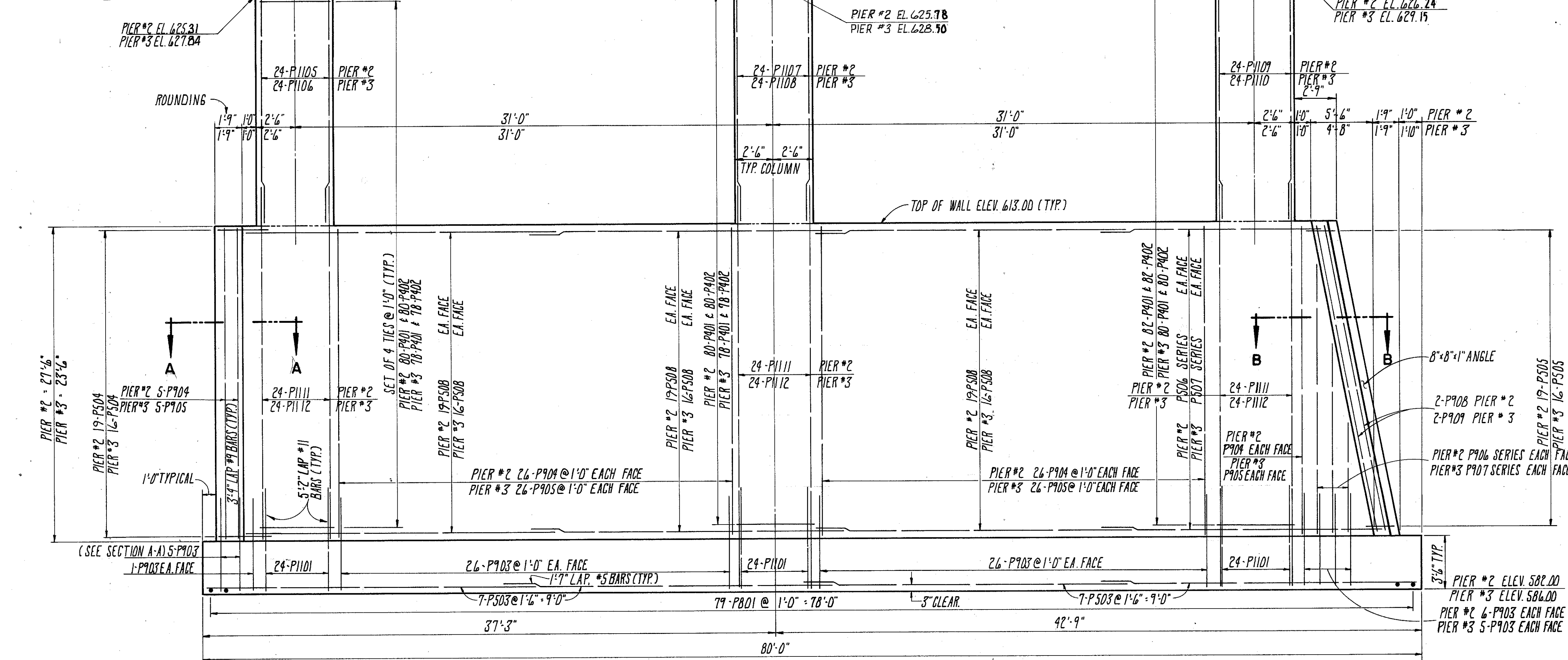


BRIDGE SEAT ELEVATIONS HAVE BEEN ADJUSTED UPWARDS TO COMPENSATE FOR DEAD LOAD DEFORMATIONS EQUAL TO 1/8"

MICROFILMED
JAN 6 1983



DOWEL BAR LOCATION FOR PIER #2 (FIXED BEARING)



THE 8" x 8" x 1" ANGLES AND THE 2" x 1/2" x 1-1/8" ANCHORS SHALL BE INCLUDED WITH ITEM 511, CLASS C CONCRETE, PIERS ABOVE FOOTINGS FOR PAYMENT.

FRANKLIN CONSULTANTS INC.		8 / 19	
COLUMBUS, OHIO		OHIO	
PIER No.2 & No.3			
CITY OF WILLOUGHBY			
CHAGRIN RIVER BRIDGE			
DESIGNED	DRAWN	TRACED	CHECKED
H.M.	B.B.	B.B.	F.A.
REVIEWED	DATE	REVISED	
J.F.	5/17/77		

BRUNING 44-560 50845