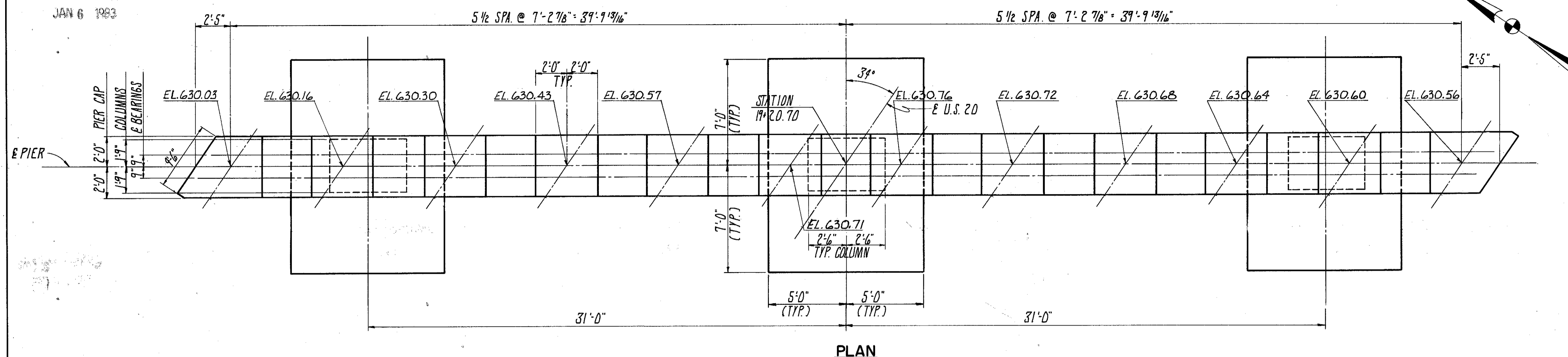


MICROFILMED
JAN 6 1983

FHWA REGION	STATE	PROJECT	
5	OHIO		

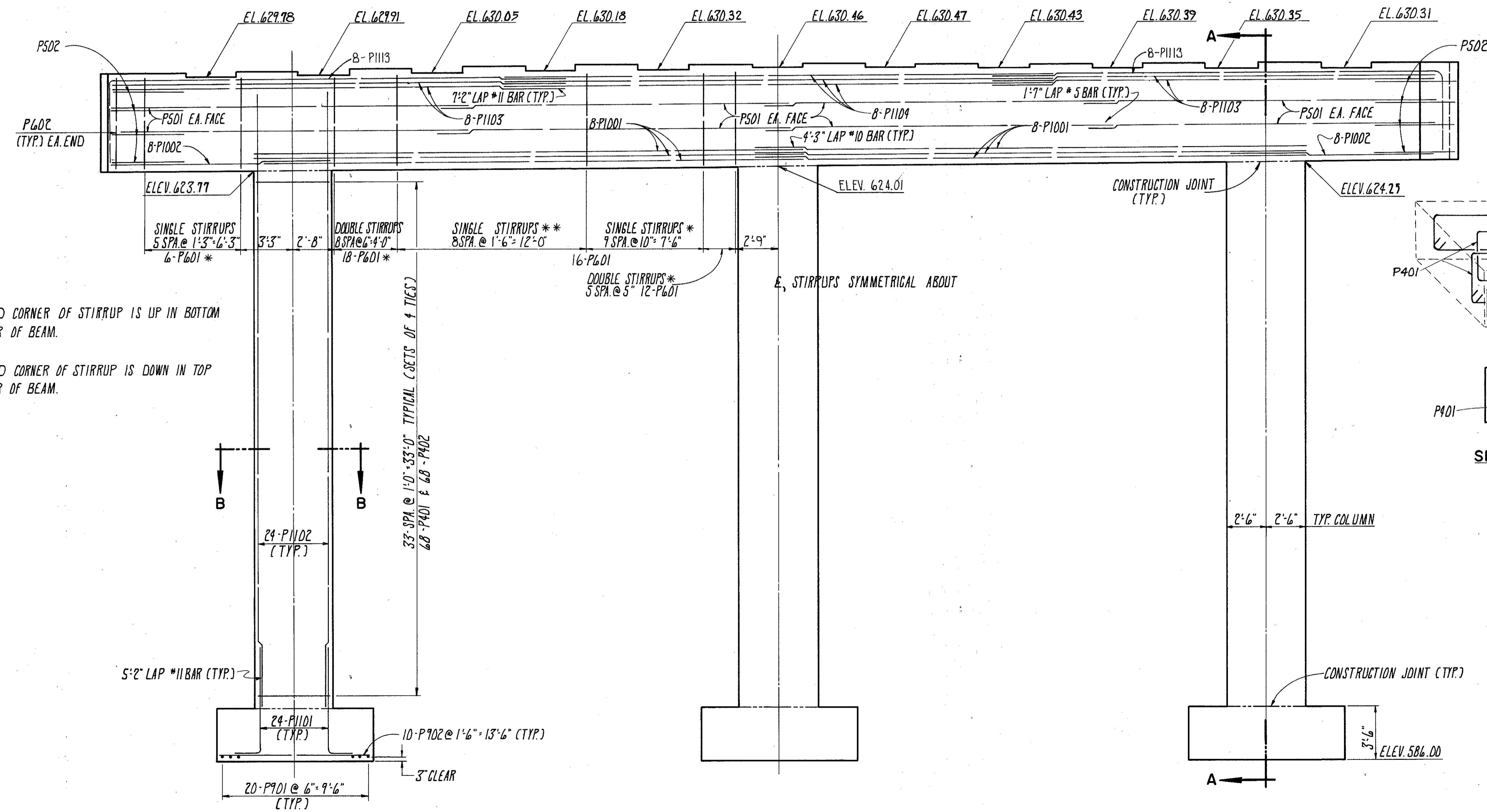
28
85

LAKE COUNTY
LAK-20-5.60



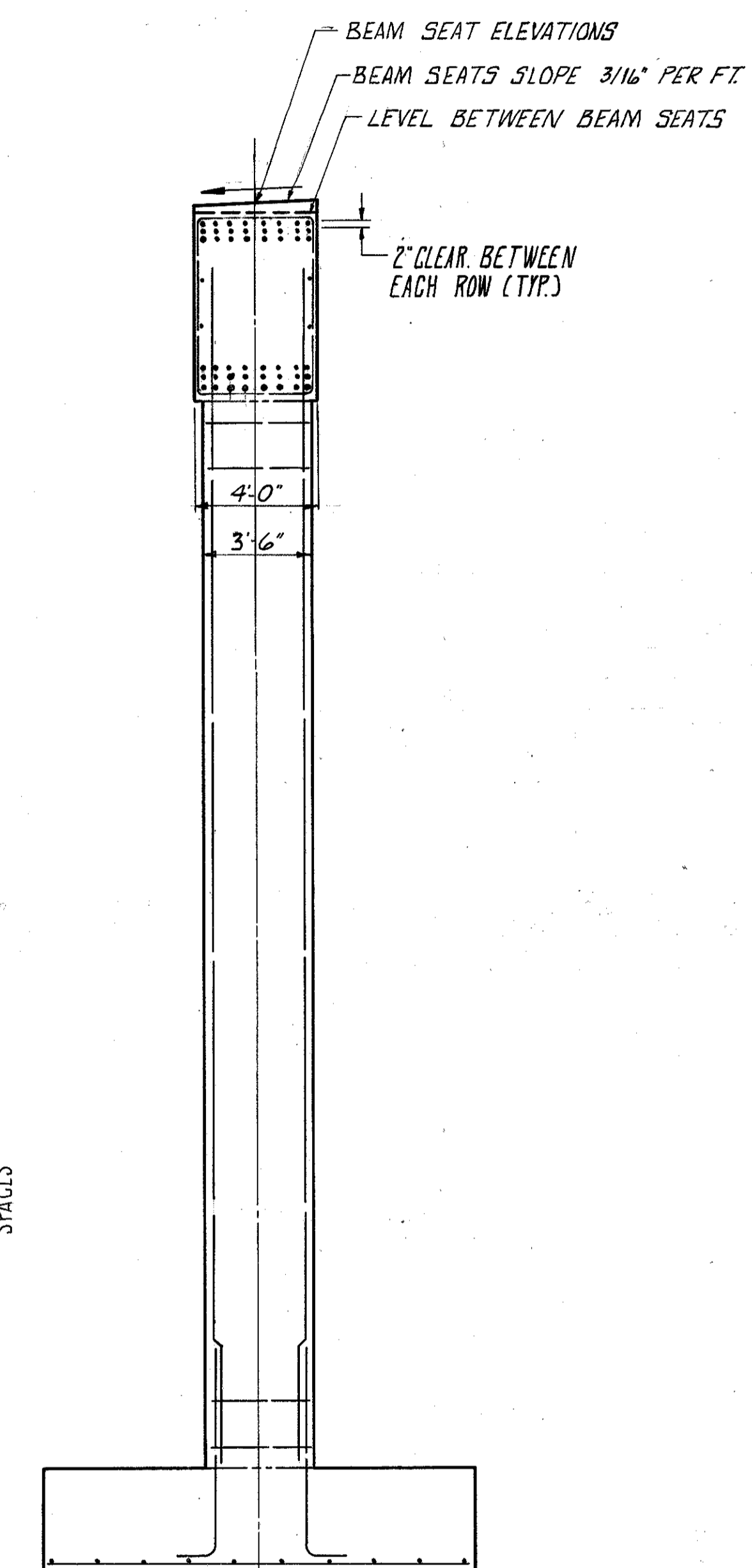
PLAN

BRIDGE SEAT ELEVATIONS HAVE BEEN ADJUSTED UPWARDS TO COMPENSATE FOR DEAD LOAD DEFORMATIONS EQUAL TO 1/8\"/>



ELEVATION

NOTES:
* HOOKED CORNER OF STIRRUP IS UP IN BOTTOM CORNER OF BEAM.
** HOOKED CORNER OF STIRRUP IS DOWN IN TOP CORNER OF BEAM.



SECTION A-A

SECTION B-B

FRANKLIN CONSULTANTS INC. 7/14						
Consulting Engineers						
COLUMBUS, OHIO						
PIER No. 1						
CITY OF WILLOUGHBY CHAGRIN RIVER BRIDGE						
DESIGNED	DRAWN	TRACED	CHECKED	REVIEWED	DATE	REVISED
MM	B.B.	B.B.	F.A.	J.F.	1/17-77	

BRUNING 44-560 30845