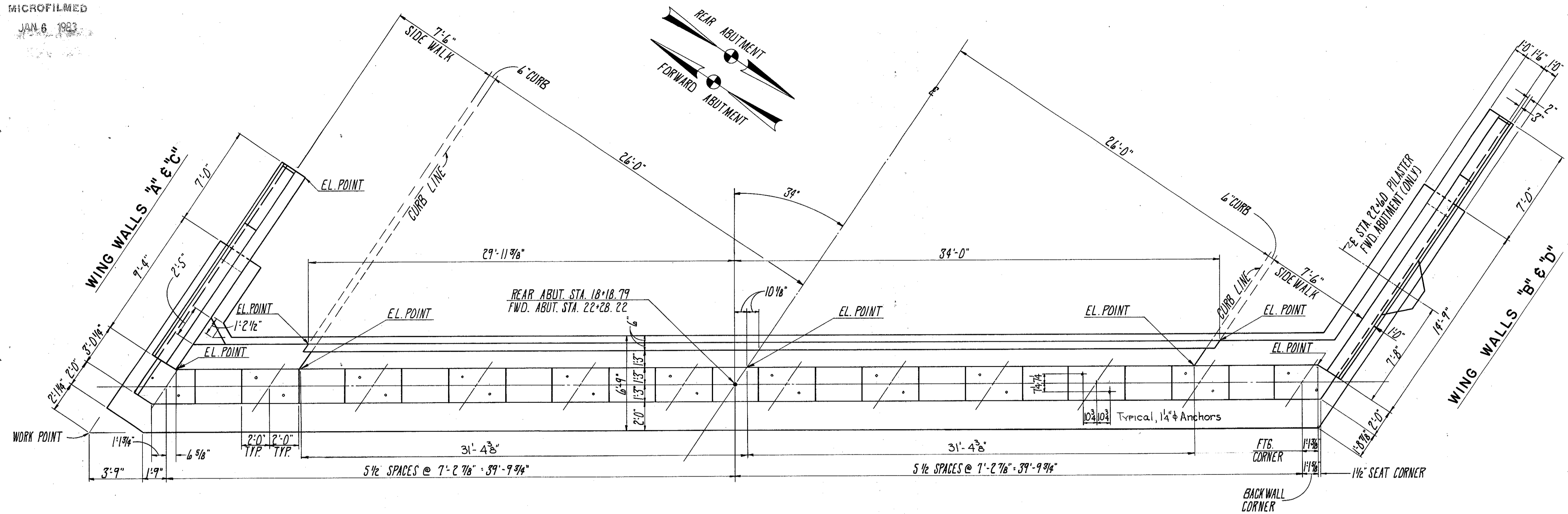


MICROFILMED
JAN 6 1983

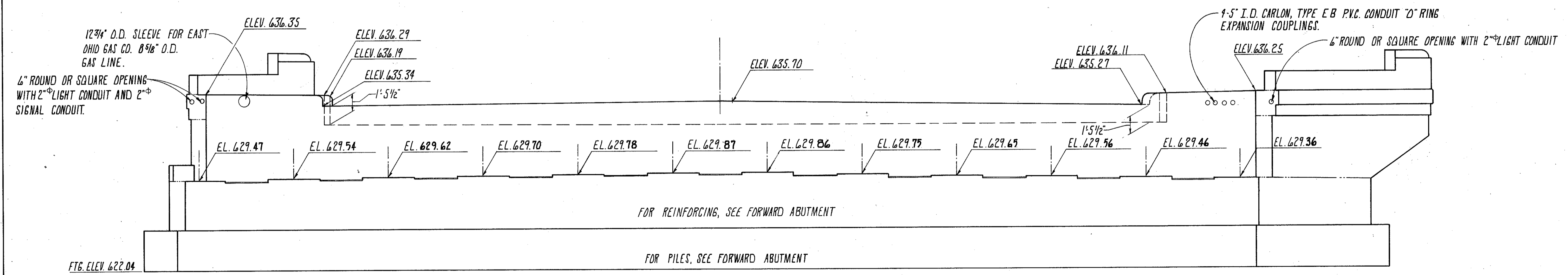
FHWA REGION	STATE	PROJECT
5	OHIO	

65
85

LAKE COUNTY
LAK-20-5.60



TYPICAL PLAN VIEW
REAR & FWD. ABUTMENTS



ELEVATION
REAR ABUTMENT

FRANKLIN CONSULTANTS INC. 9/19						
Consulting Engineers						
COLUMBUS, OHIO						
REAR ABUTMENT and TYPICAL PLAN VIEW						
CITY OF WILLOUGHBY CHAGRIN RIVER BRIDGE						
DESIGNED	DRAWN	TRACED	CHECKED	REVIEWED	DATE	REVISED
MM	B.B.	B.B.	F.A.	JF	9/19/77	

BRUNING 44-560 30845