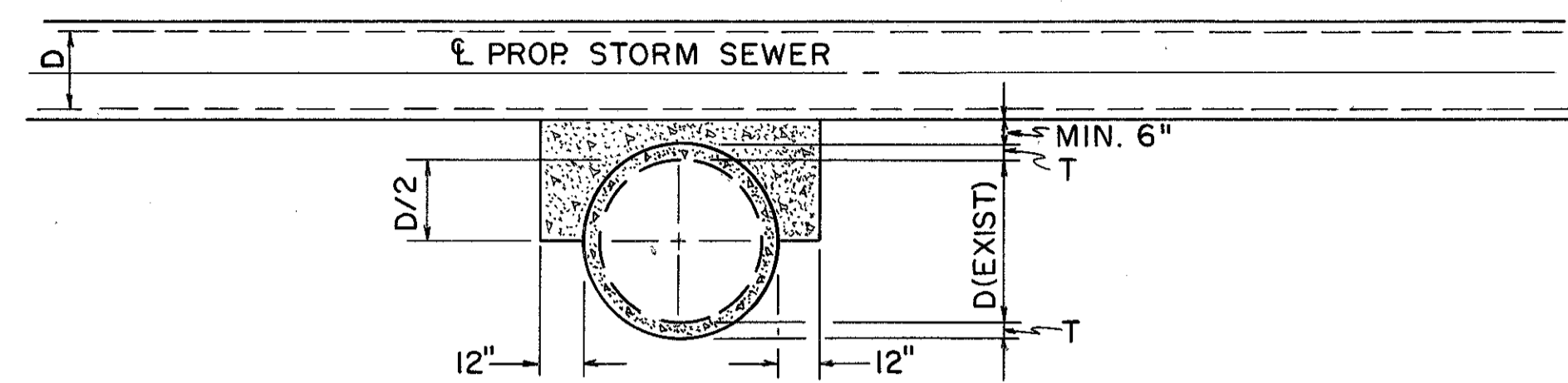


FHWA REGION	STATE	PROJECT
5	OHIO	

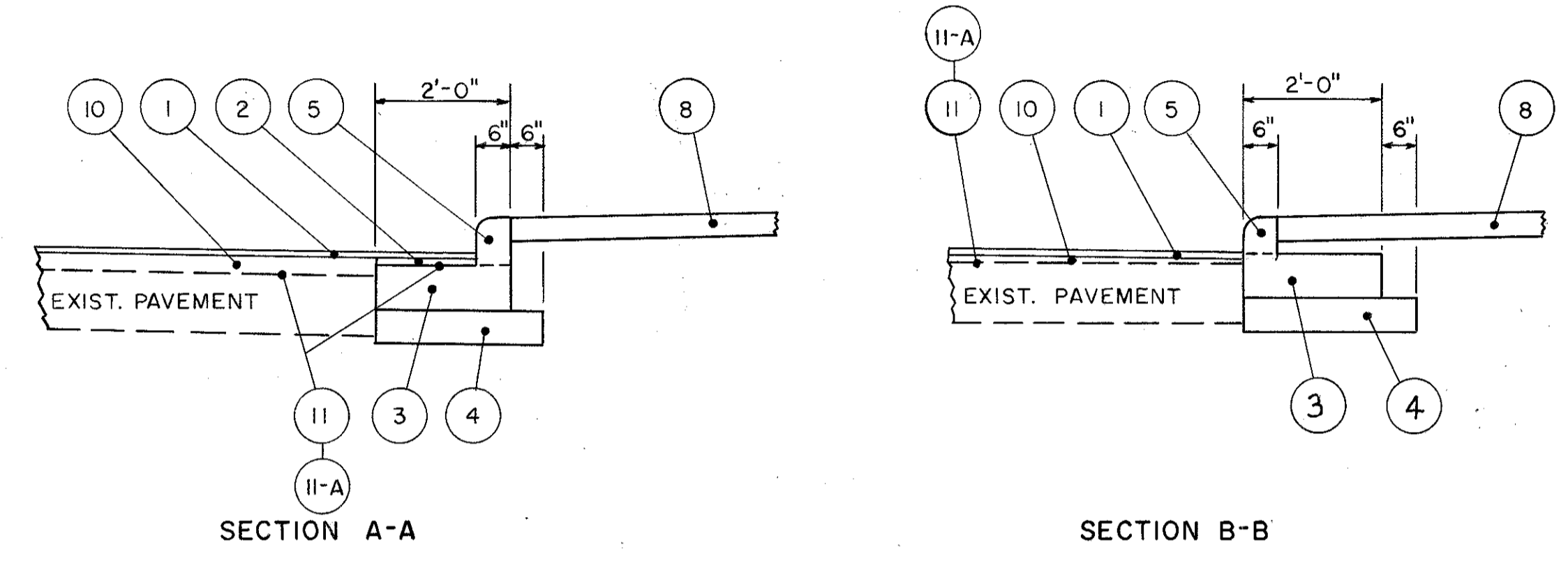
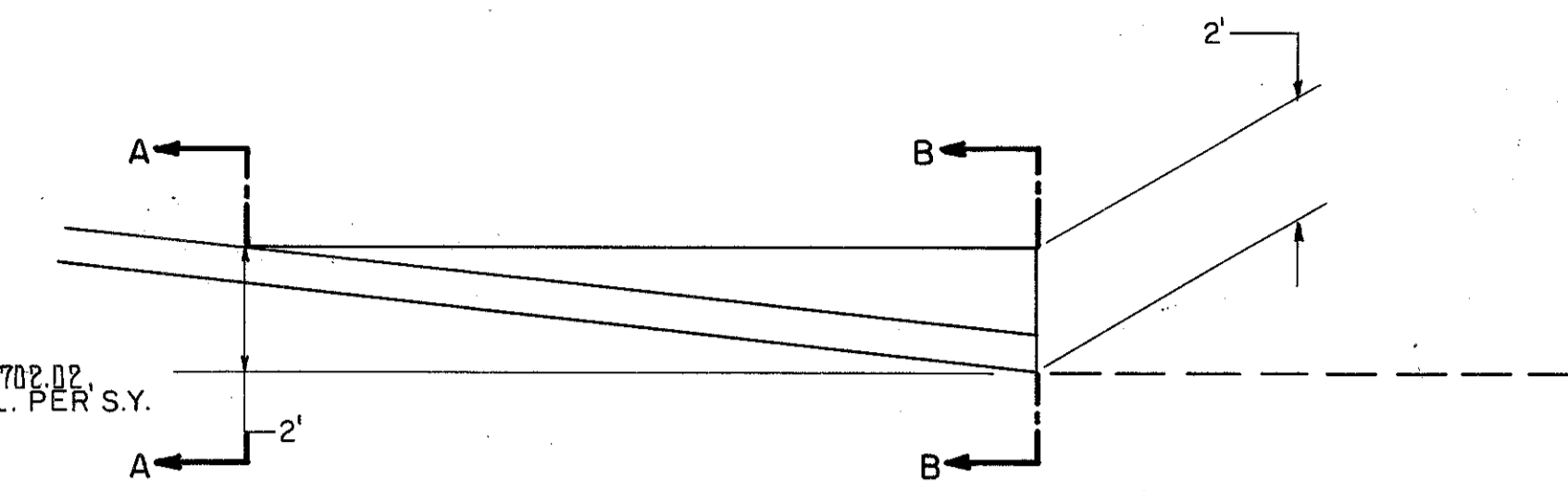
LAKE COUNTY
LAK-20-5.60



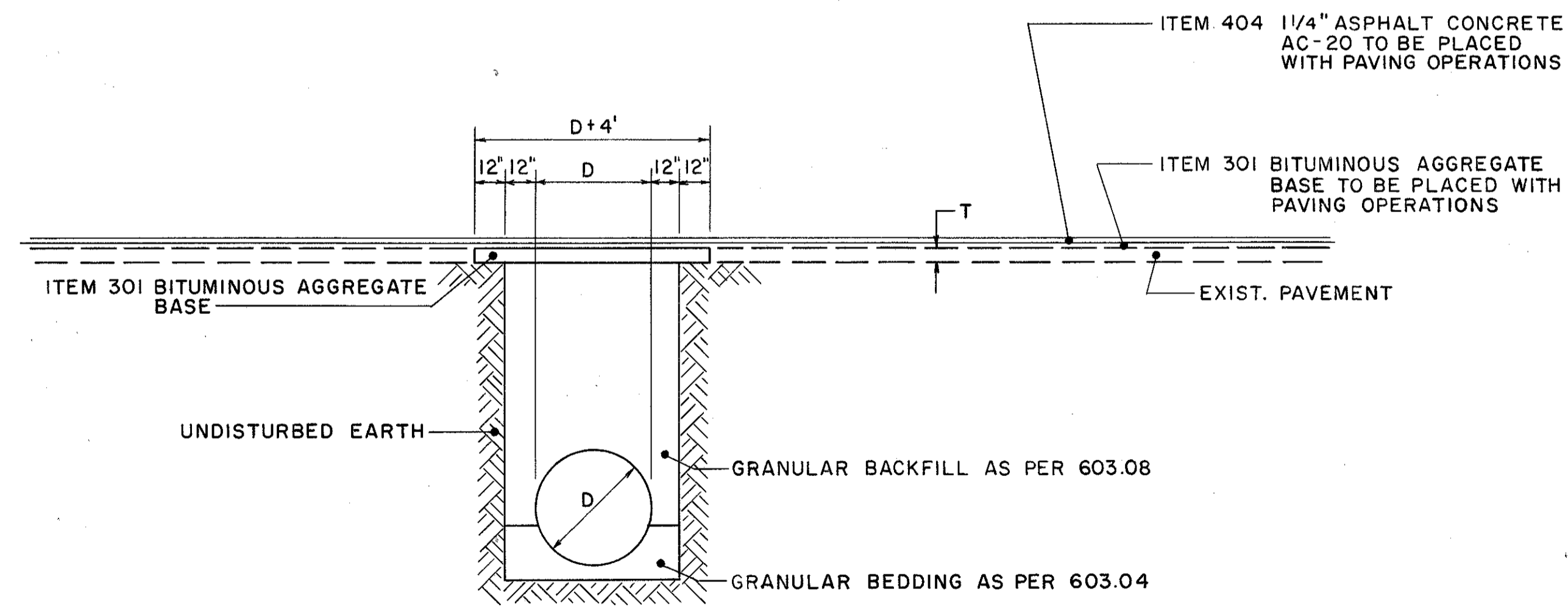
NOTE:
I. CLASS 'C' CONCRETE CRADLE TO BE PAID FOR UNDER UNIT PRICE BID FOR ITEM 603

CONCRETE CRADLE DETAIL

- 1 ITEM 404 1 1/4" ASPHALT CONCRETE (AC-20)
- 2 ITEM 402 1 3/4" ASPHALT CONCRETE (AC-20)
- 3 ITEM 801 8" PORTLAND CEMENT CONCRETE BASE
- 4 ITEM 310 6" SUBBASE, GRADING "A"
- 5 ITEM 609 TYPE 2-B CONCRETE CURB
- 8 ITEM 608 CONCRETE WALK (4")
- 10 ITEM 301 BITUMINOUS AGGREGATE BASE
- 11 ITEM 407 TACK COAT 702.04, SS-1, SS-1H, MS-2 OR RS-1 OR 702.02, RC-250 APPLIED AT THE RATE OF 0.10 GAL. PER S.Y.
- 11-A ITEM 407 COVER AGGREGATE

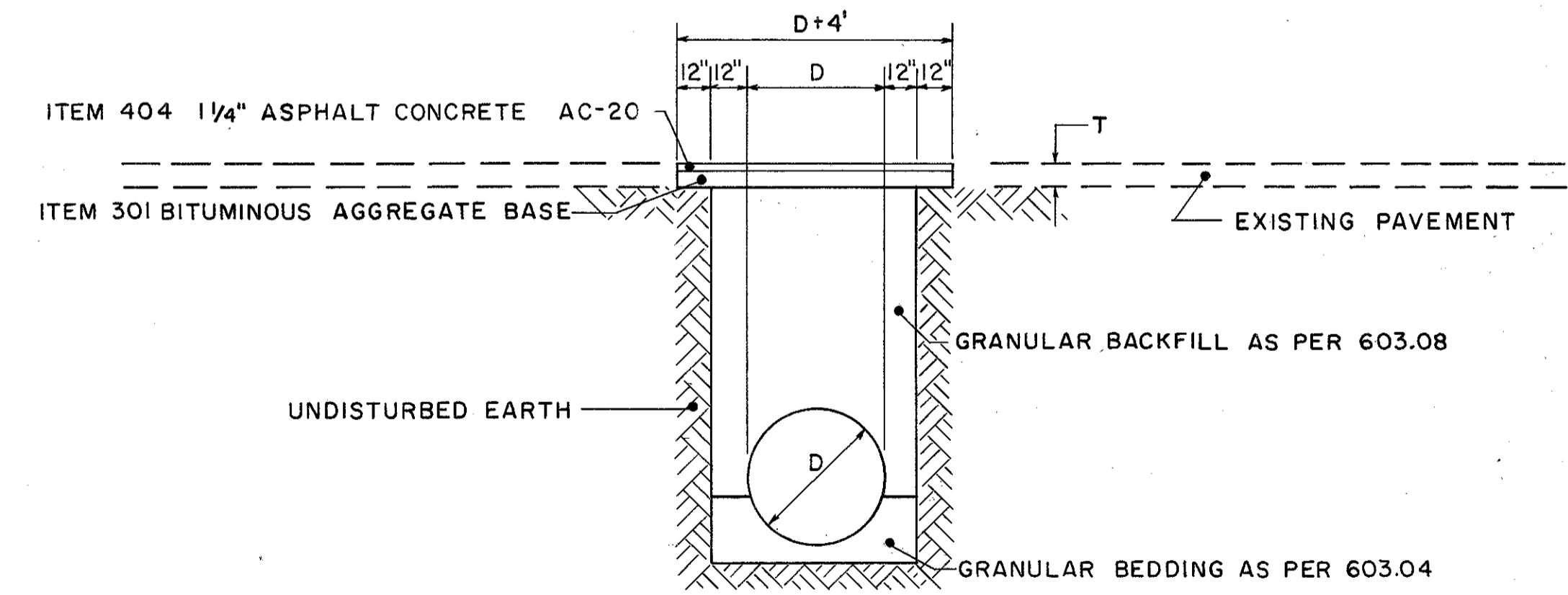


END TAPER WITH INTEGRAL CURB DETAIL



T = THICKNESS OF PAVEMENT
D = DIAMETER OF PROPOSED PIPE

PAVEMENT REPLACEMENT TYPE I



T = THICKNESS OF PAVEMENT
D = DIAMETER OF PROPOSED PIPE

PAVEMENT REPLACEMENT TYPE II