

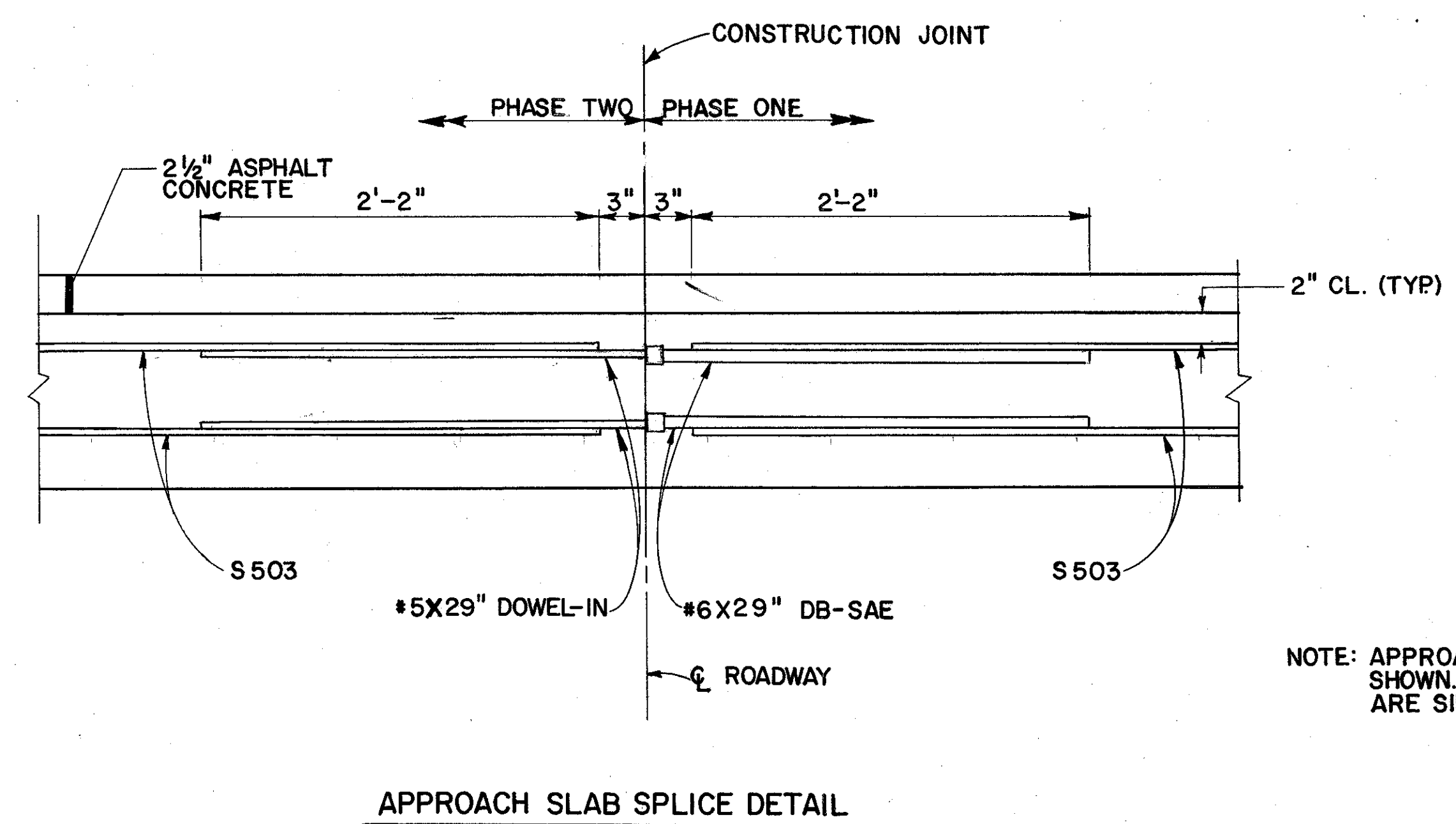
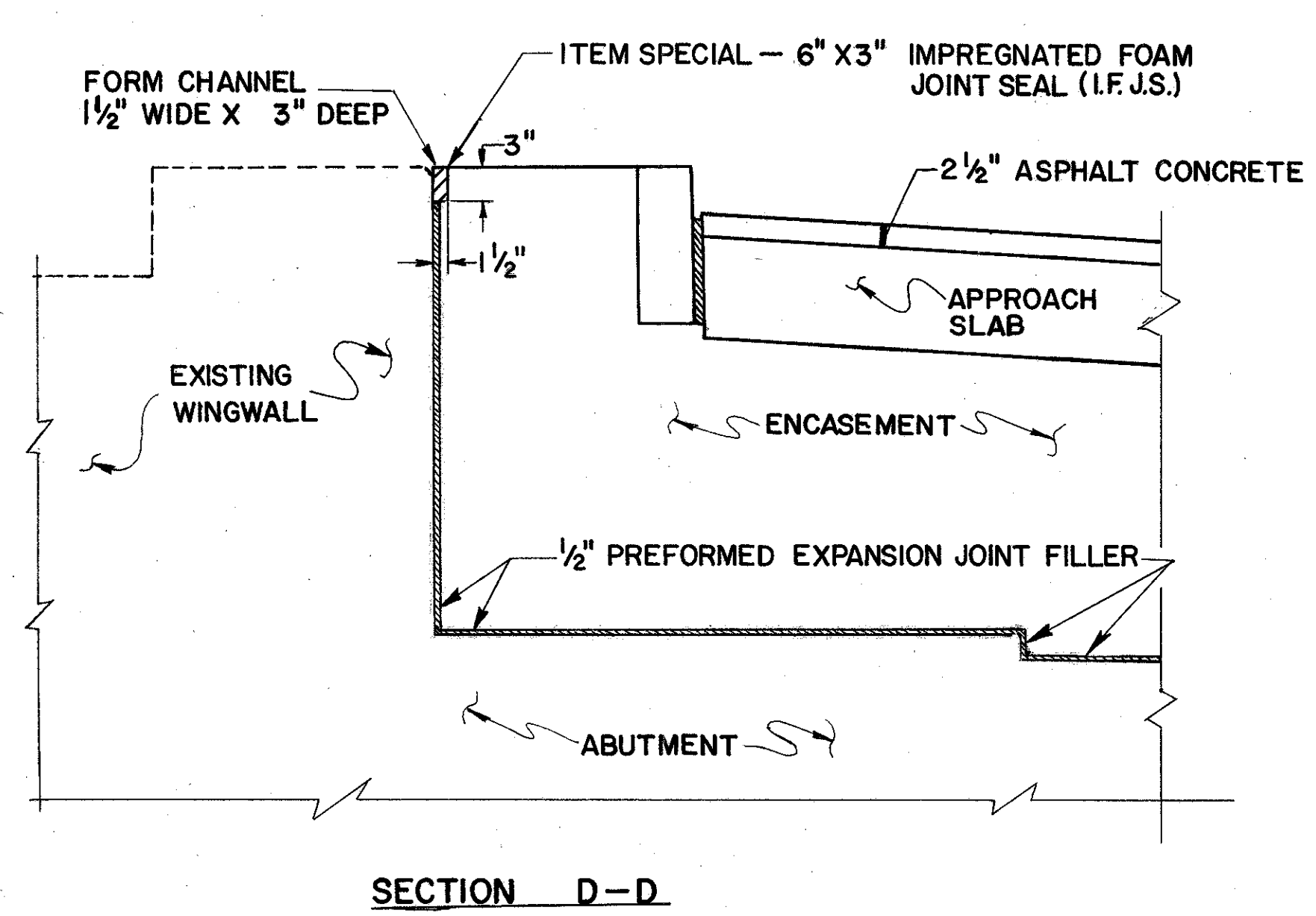
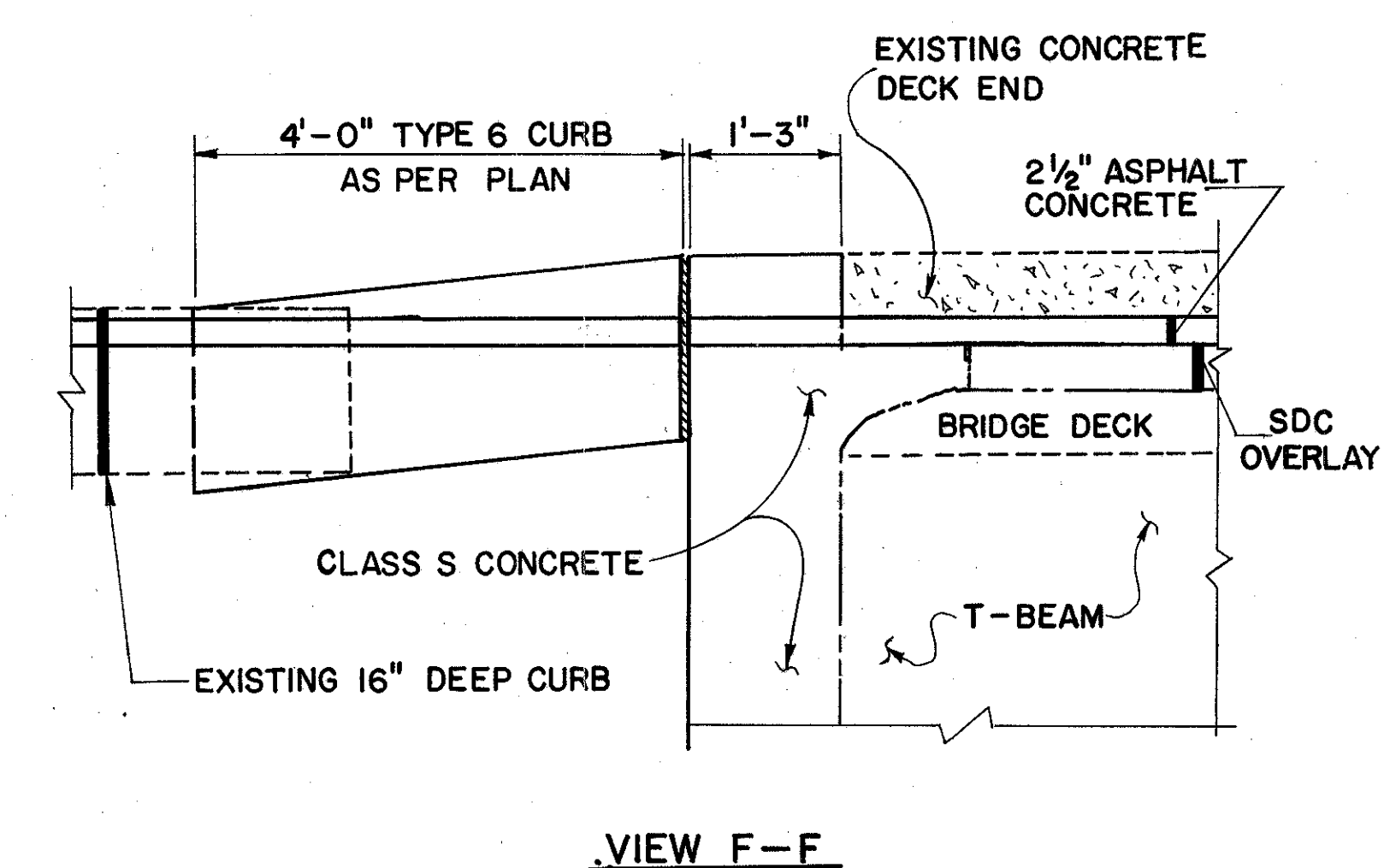
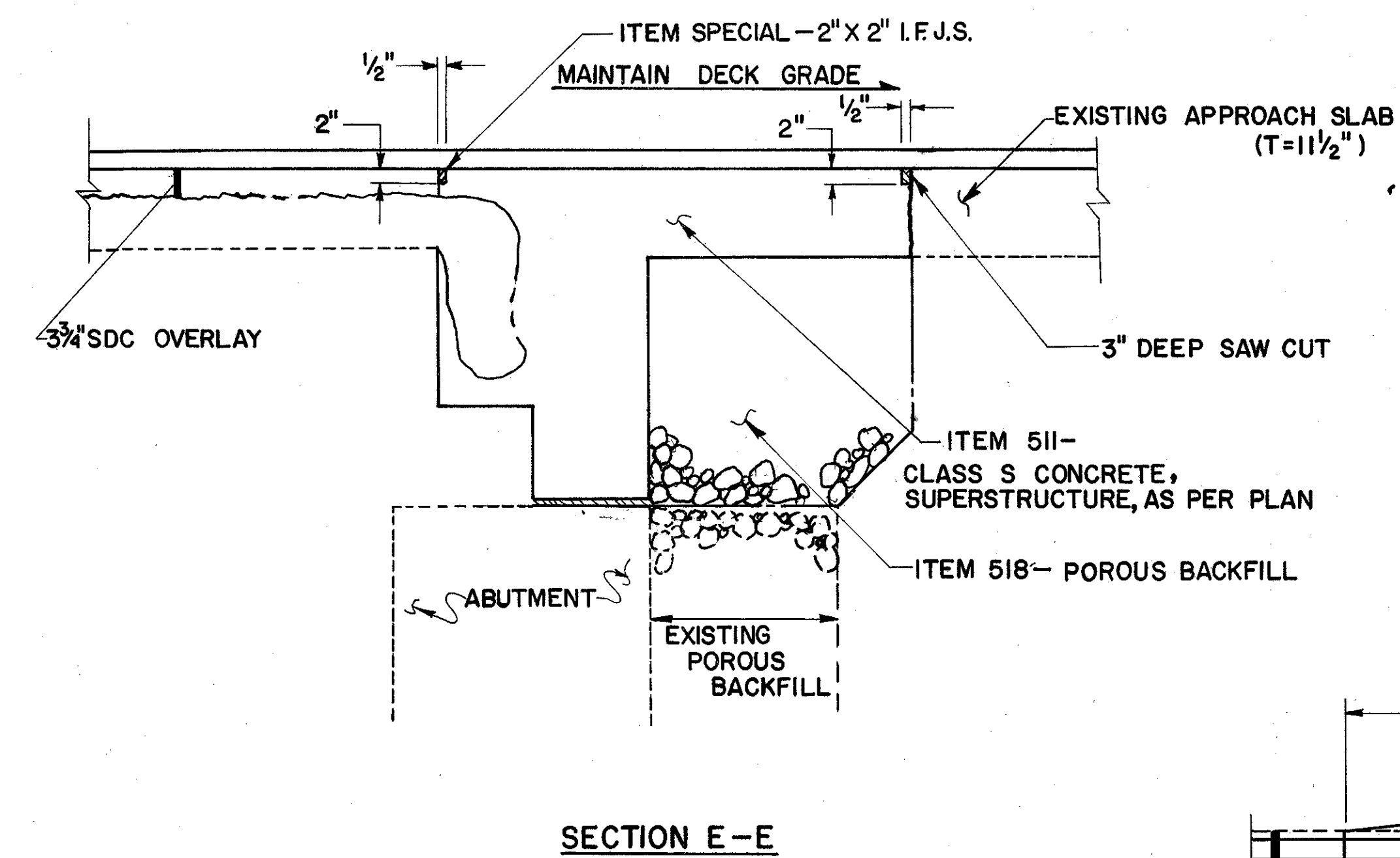
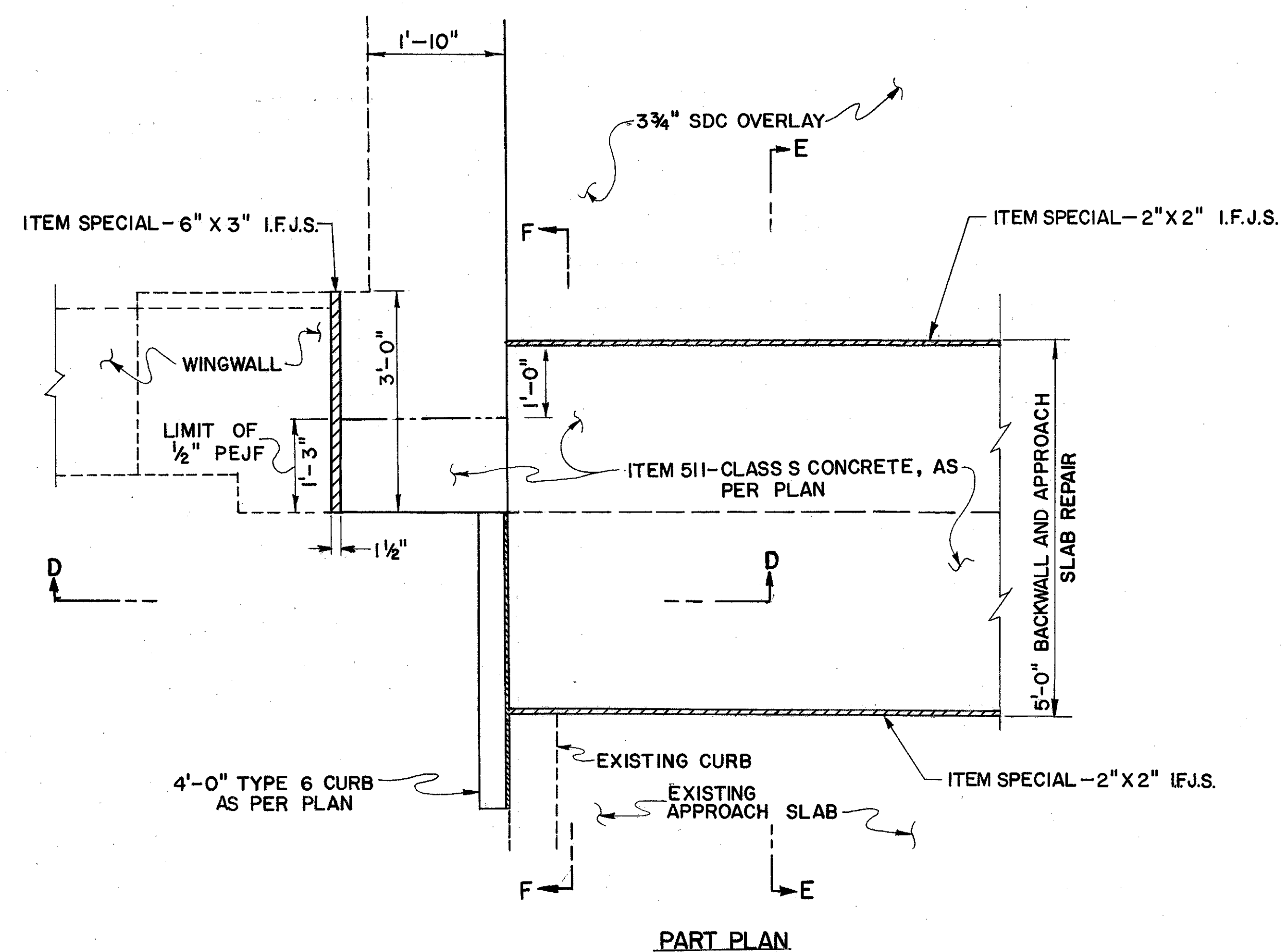
FHWA REGION	STATE	PROJECT	
5	OHIO		

14
17

LAKE COUNTY
LAK-20-2976

PLAN NO. BR-55-84

MICROFIL
OCT 8 1986



NOTE: APPROACH SLAB SPLICE SHOWN. ENCASEMENT SPLICES ARE SIMILAR.

STATE OF OHIO DEPARTMENT OF TRANSPORTATION DISTRICT 12 BRIDGE DEPARTMENT						9/10
SUPERSTRUCTURE DETAILS						
BRIDGE LAK-20-2976 OVER ARCOLA CREEK						
DESIGNED	DRAWN	TRACED	CHECKED	REVIEWED	DATE	REVISED
EJA	PJM	PJM	DWL	GWM	7-2-84	