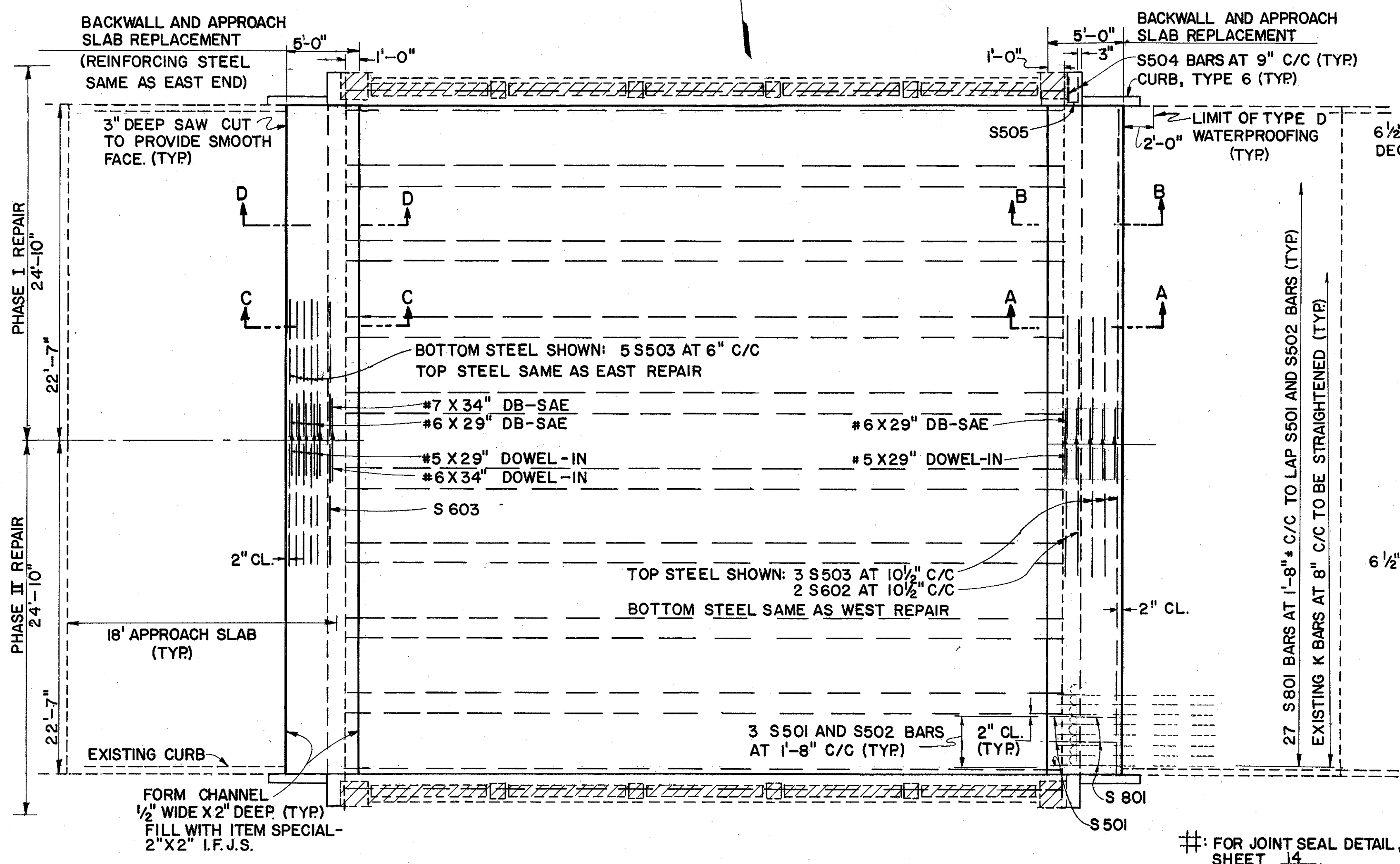
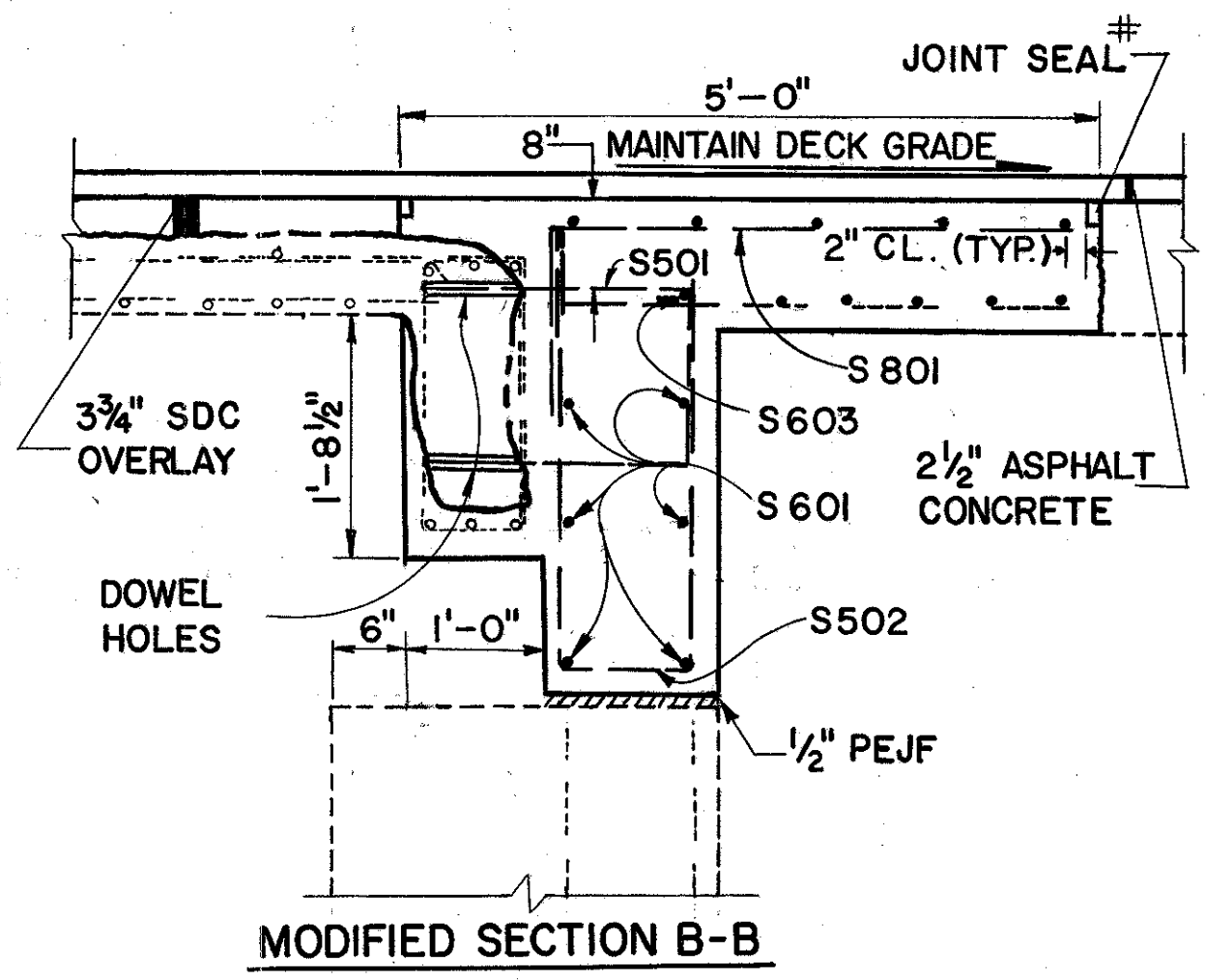
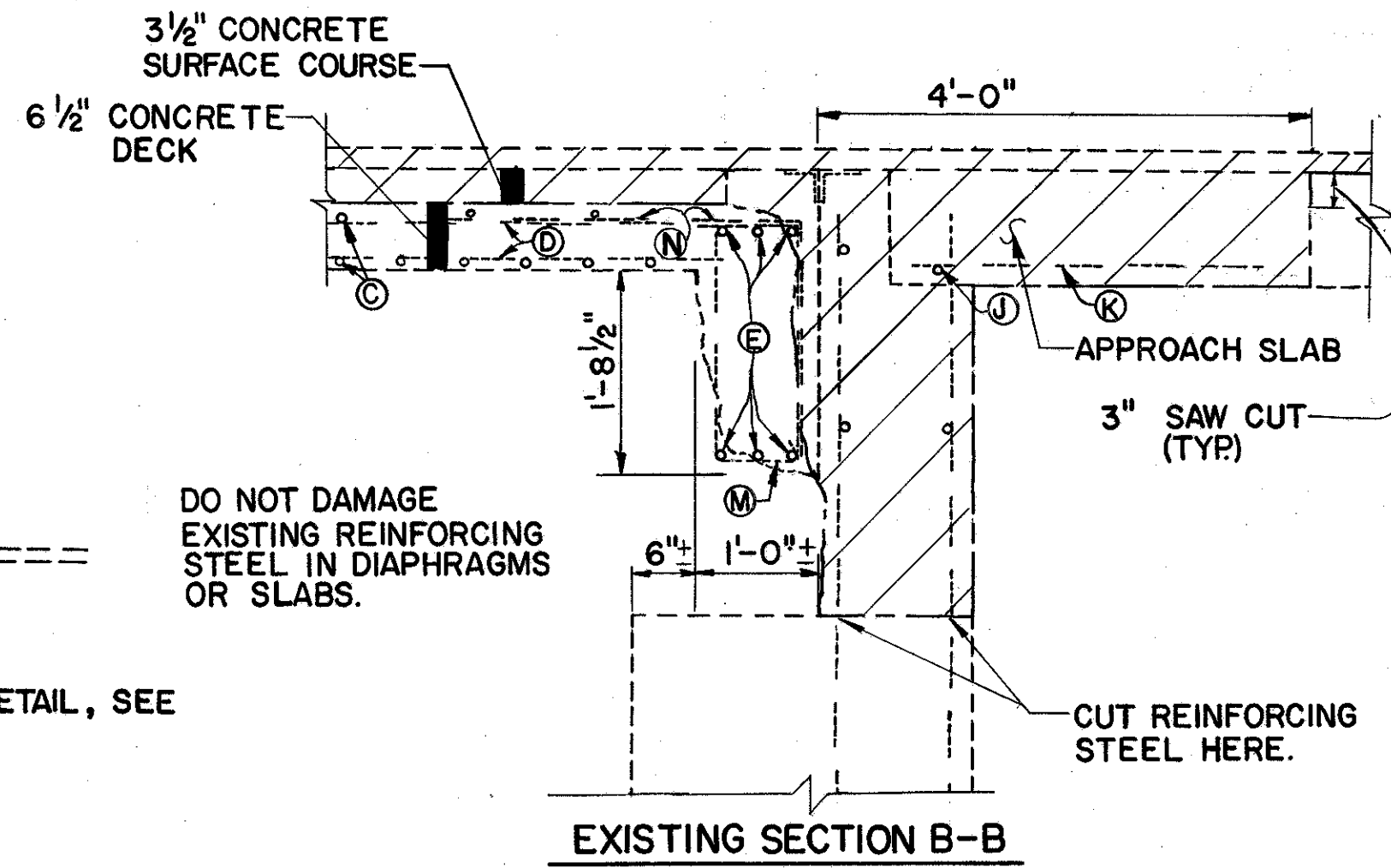
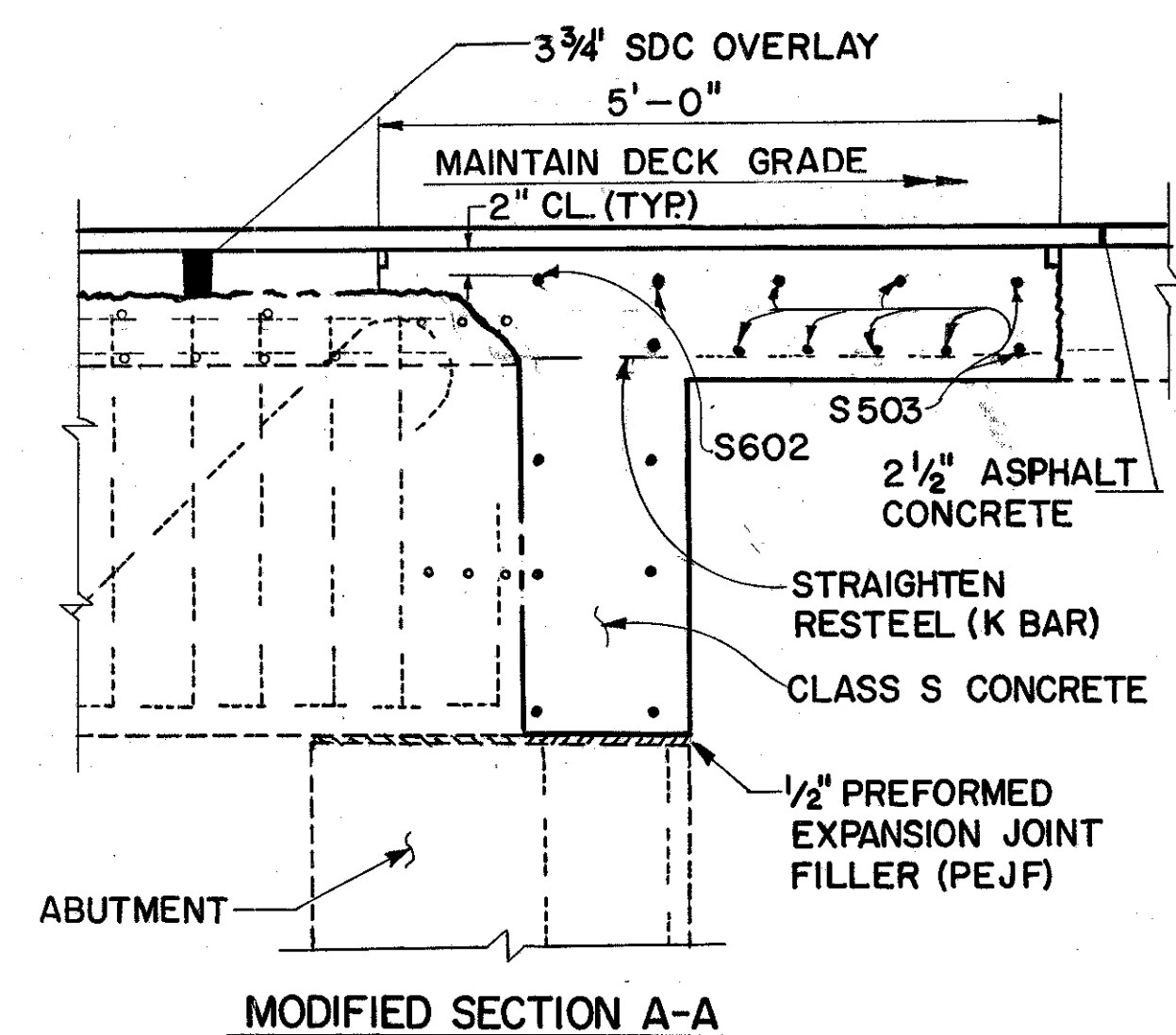
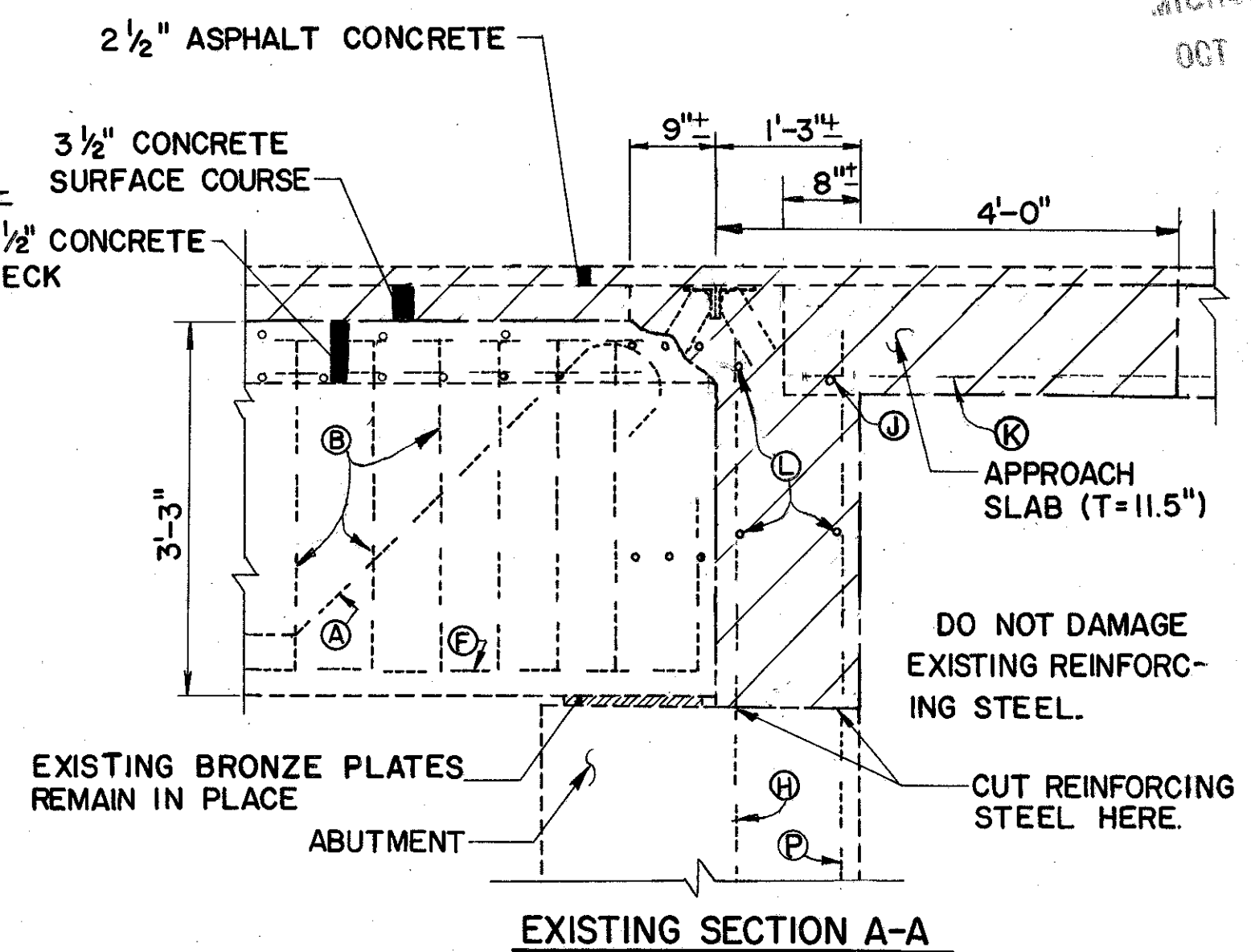


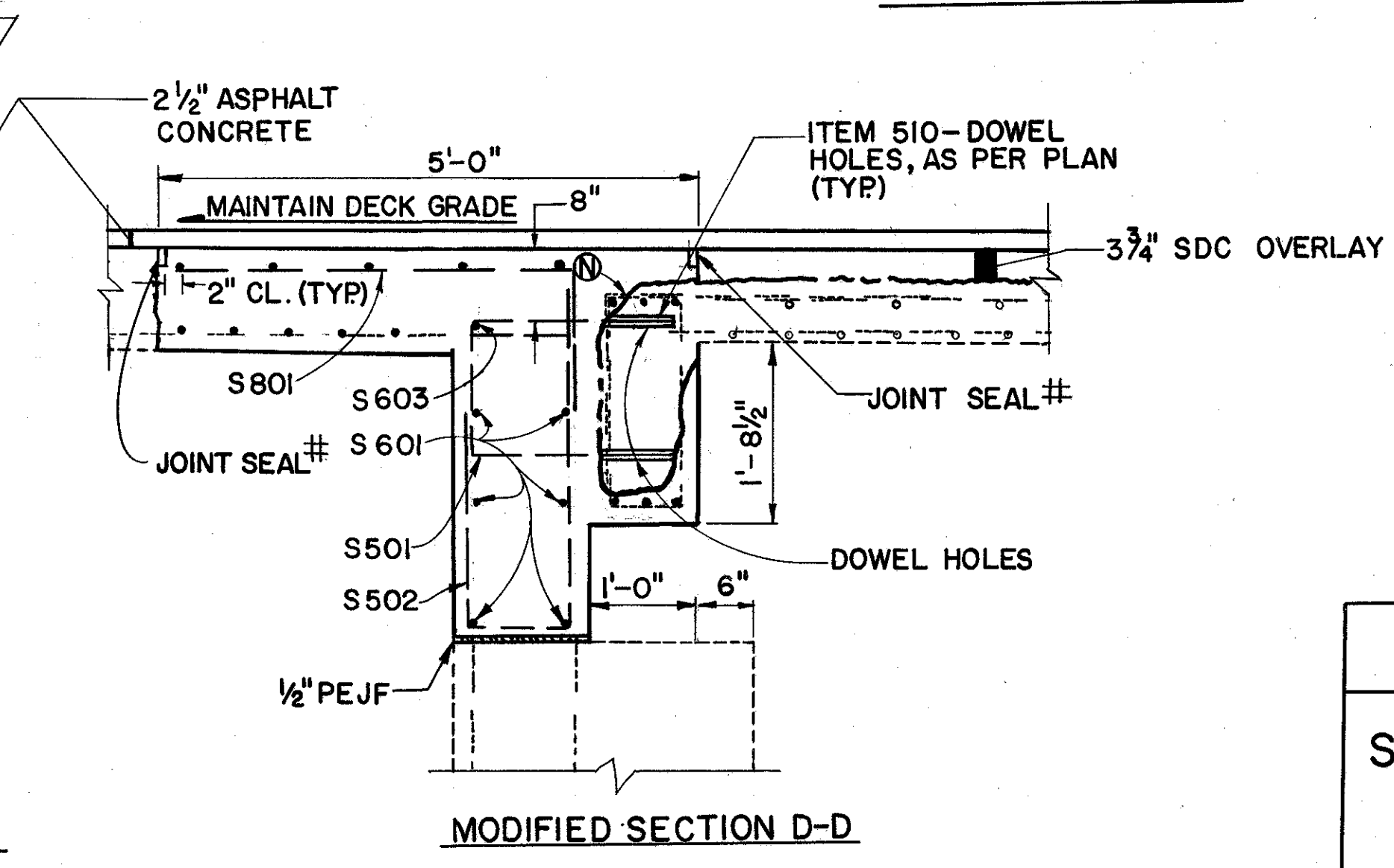
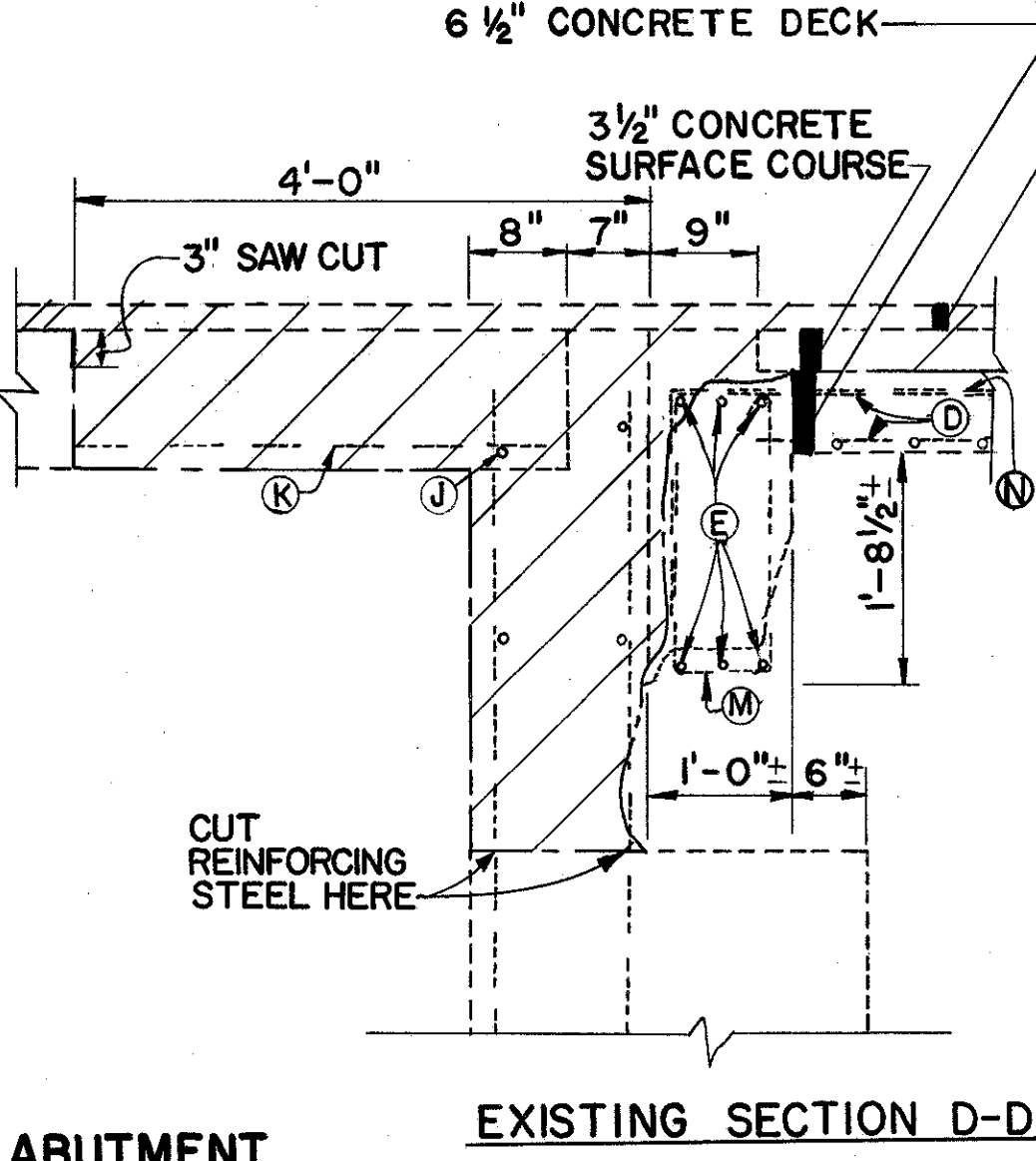
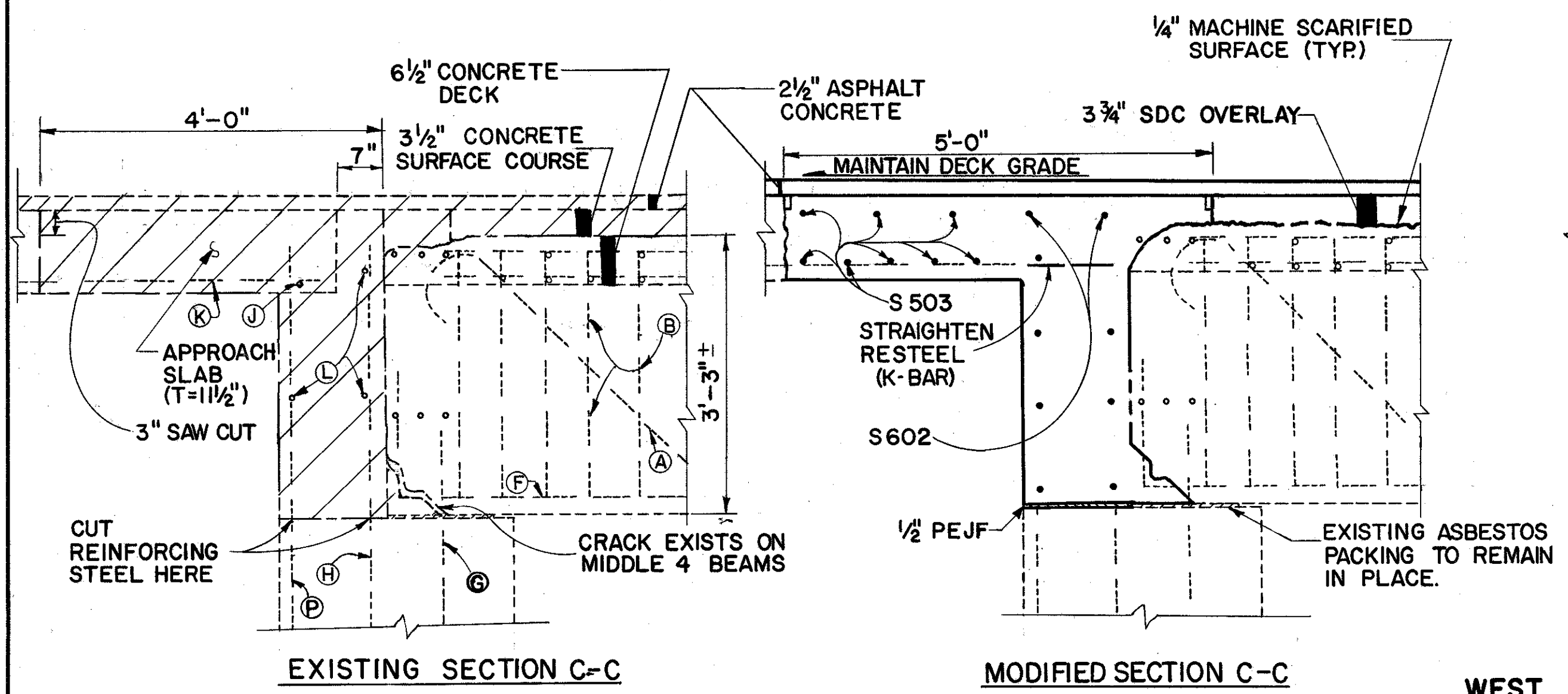
MICROFIL  
OCT 1986



**SUPERSTRUCTURE PLAN**



**EAST ABUTMENT (EXPANSION END)**



**WEST ABUTMENT (FIXED END)**

BAR LETTER	BAR SIZE	BAR LETTER	BAR SIZE
A	#10	H	#6
B	#4	J	#4
C	#5	K	#8
D	#4	L	#4
E	#5	M	#4
F	#10	N	#4
G	#4	P	#6

**SUPERSTRUCTURE DETAILS**  
BRIDGE LAK-20-2976  
OVER ARCOLA CREEK

DESIGNED	DRAWN	TRACE	CHECKED	REVIEWED	DATE	REVISED
EJA	PJM	PJM	DWL	GWM	7-2-84	