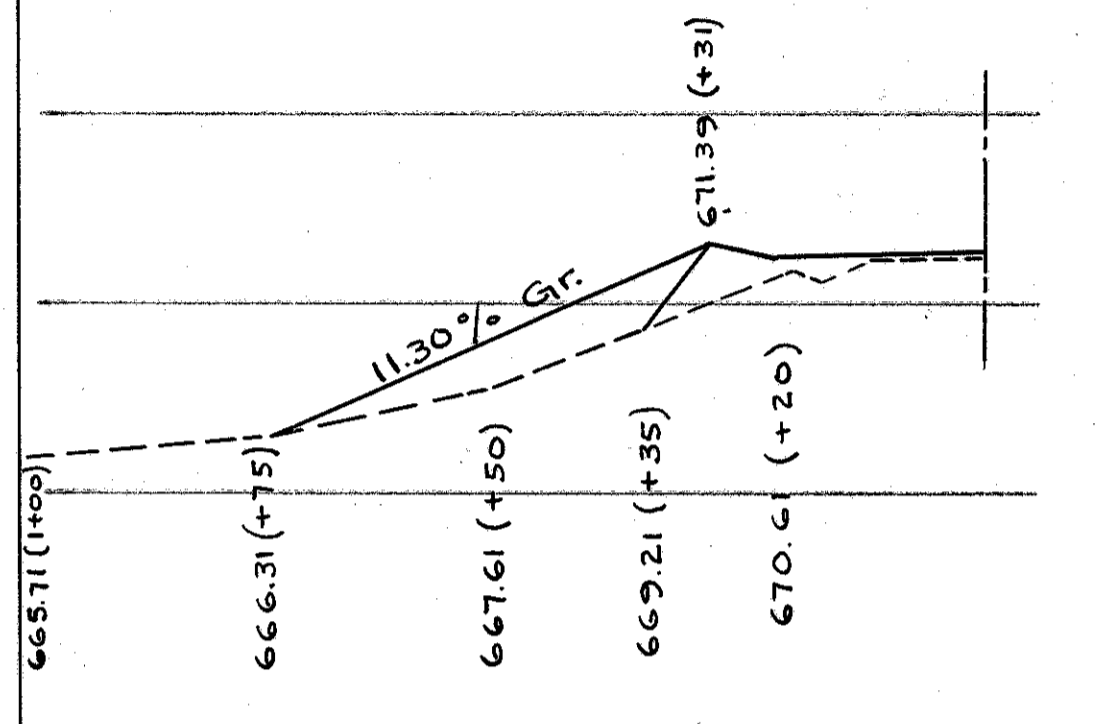
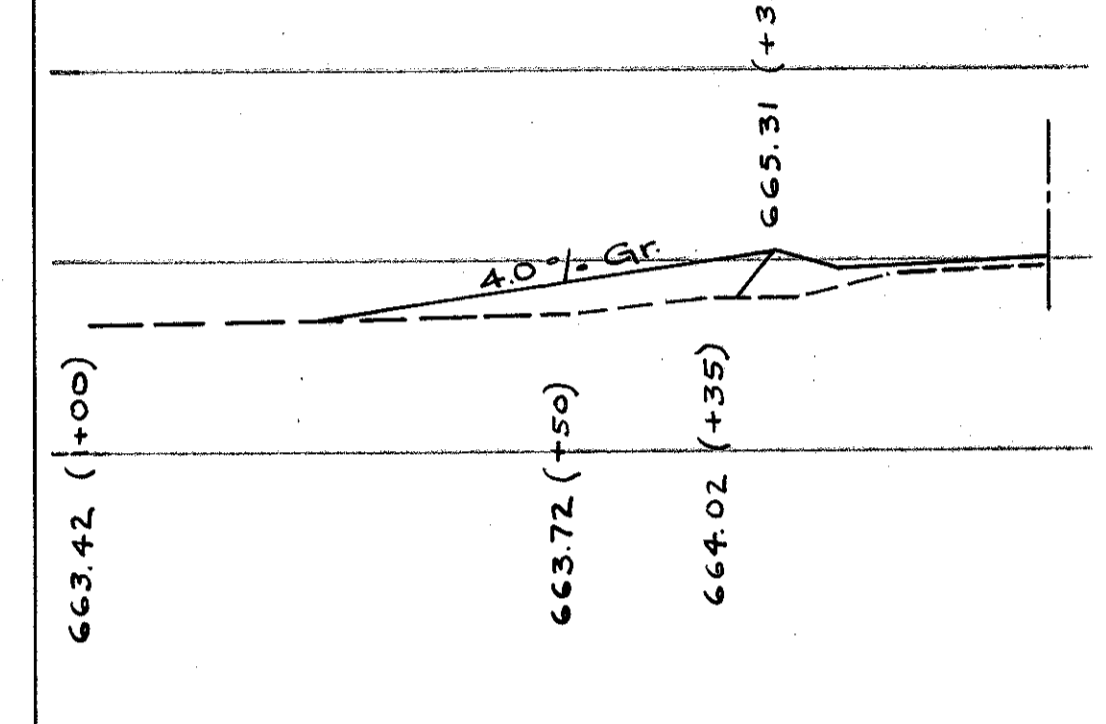
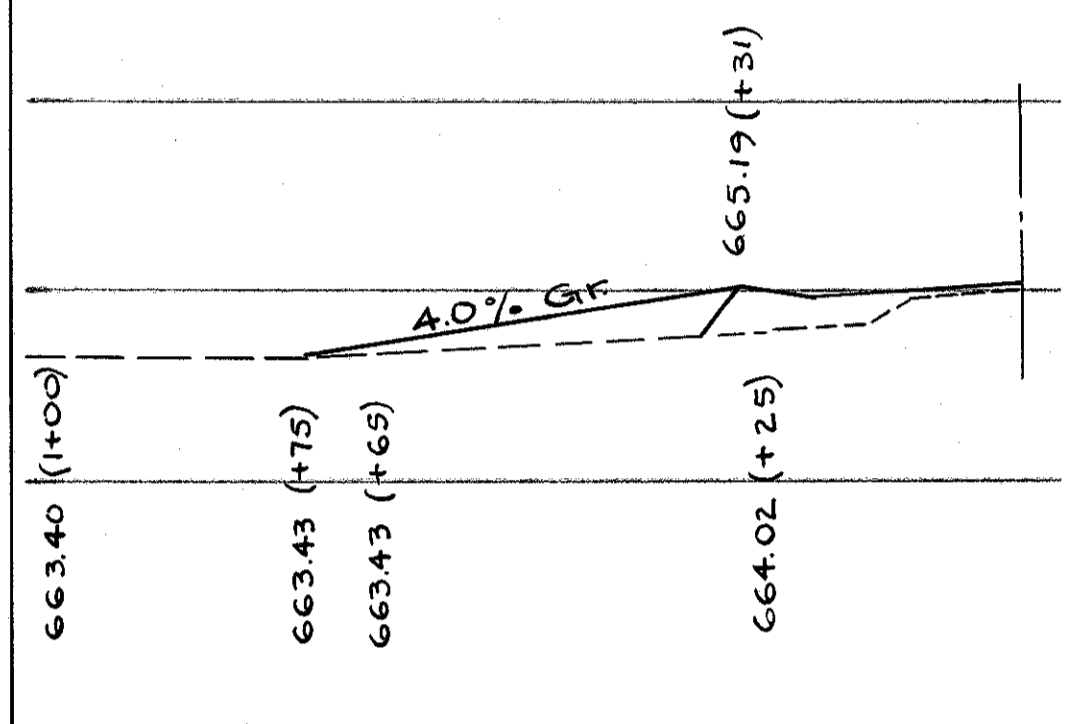
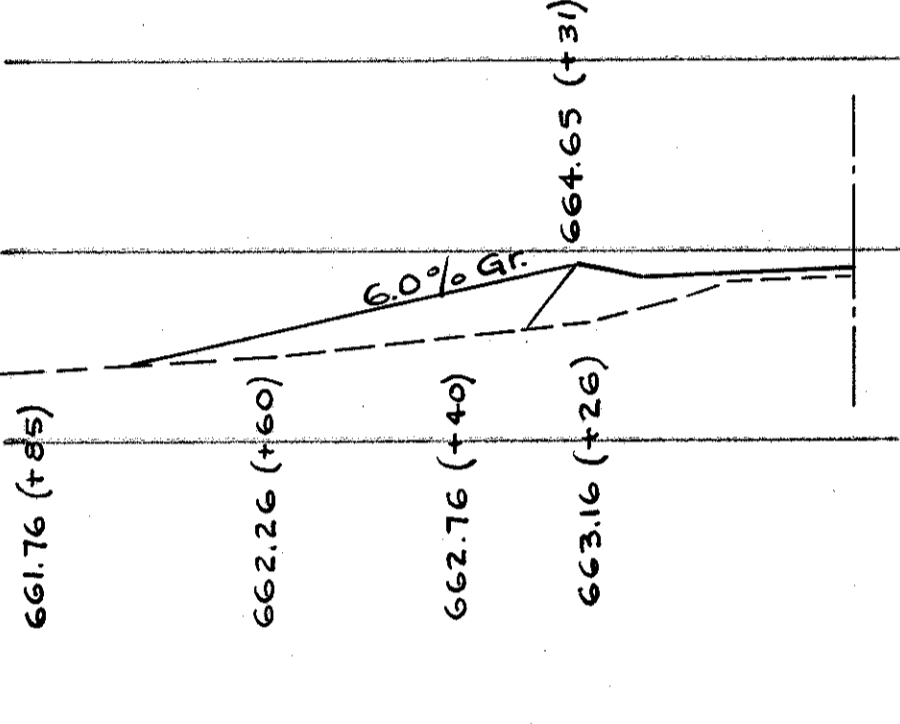
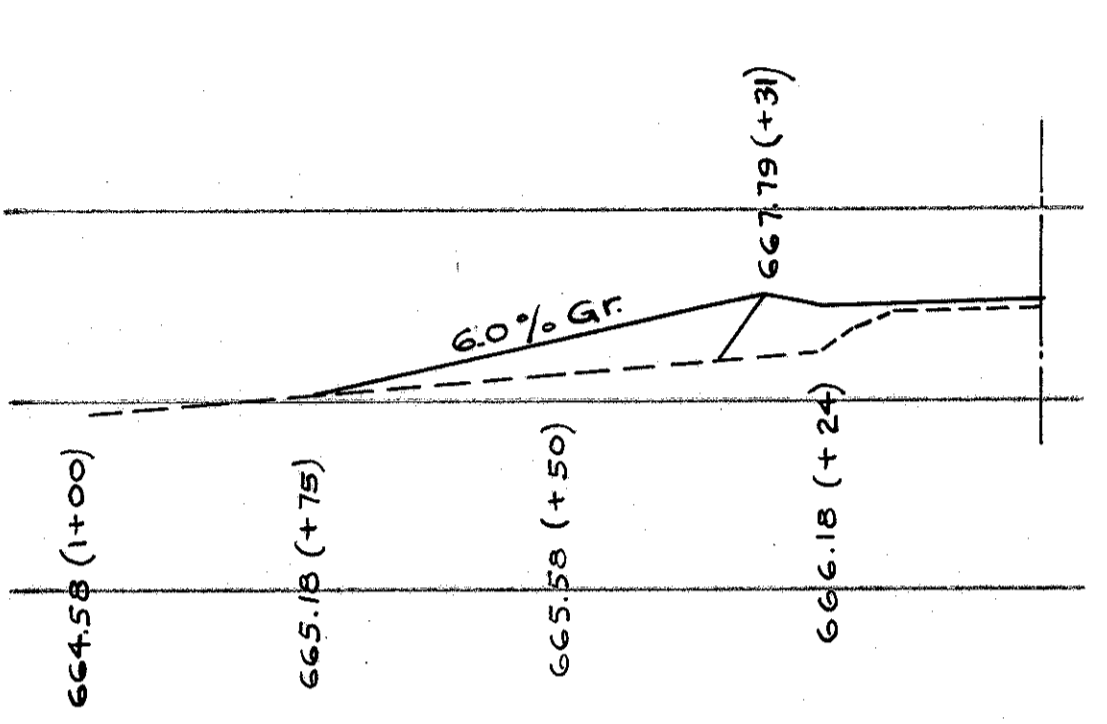
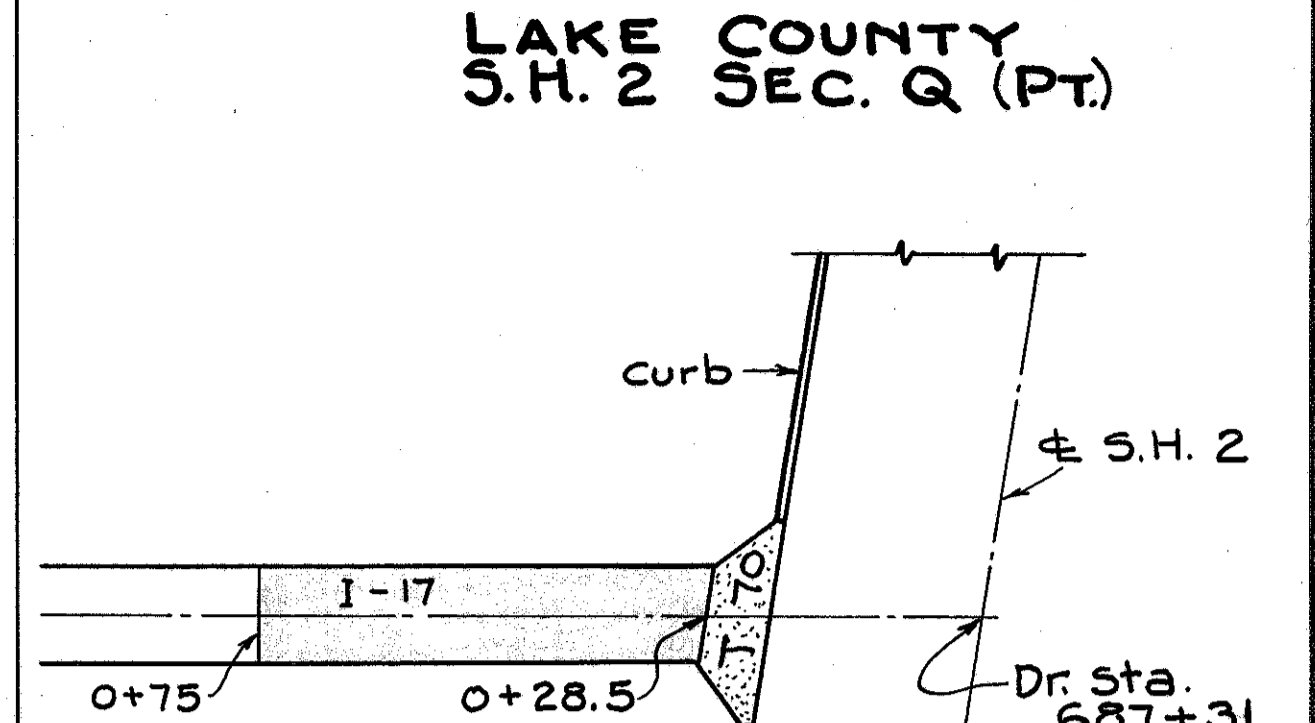
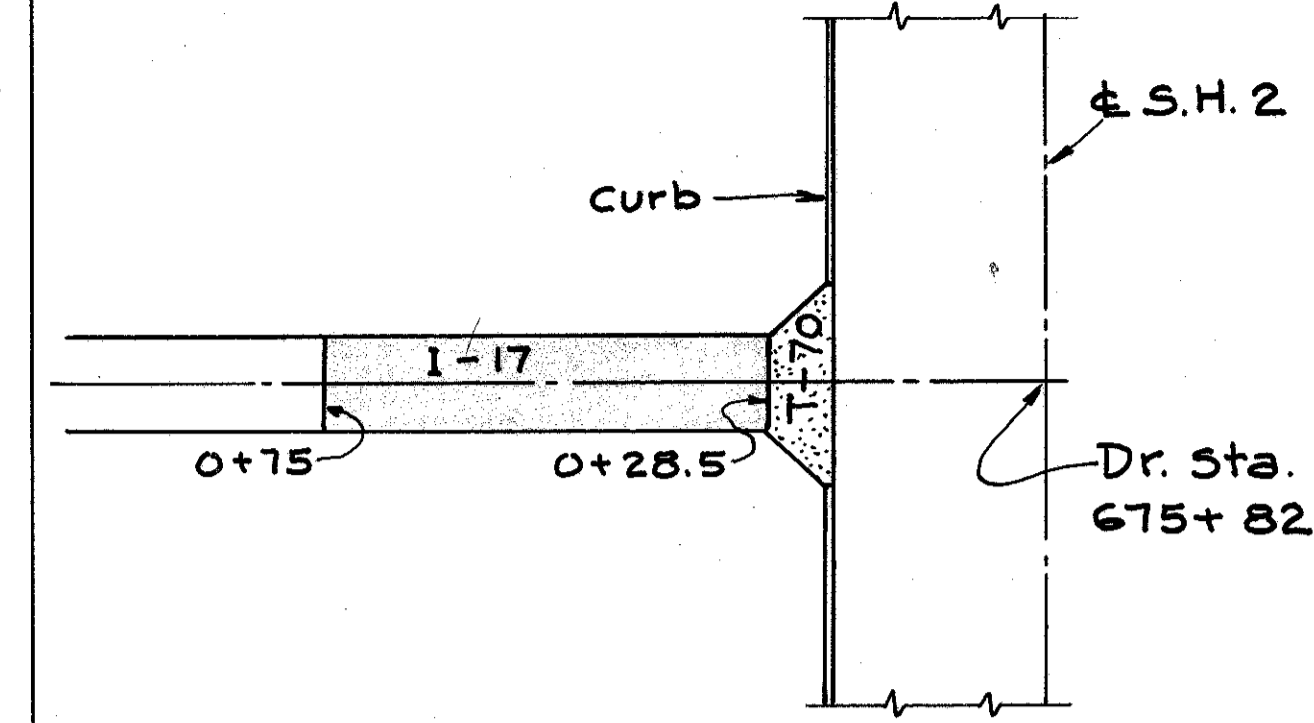
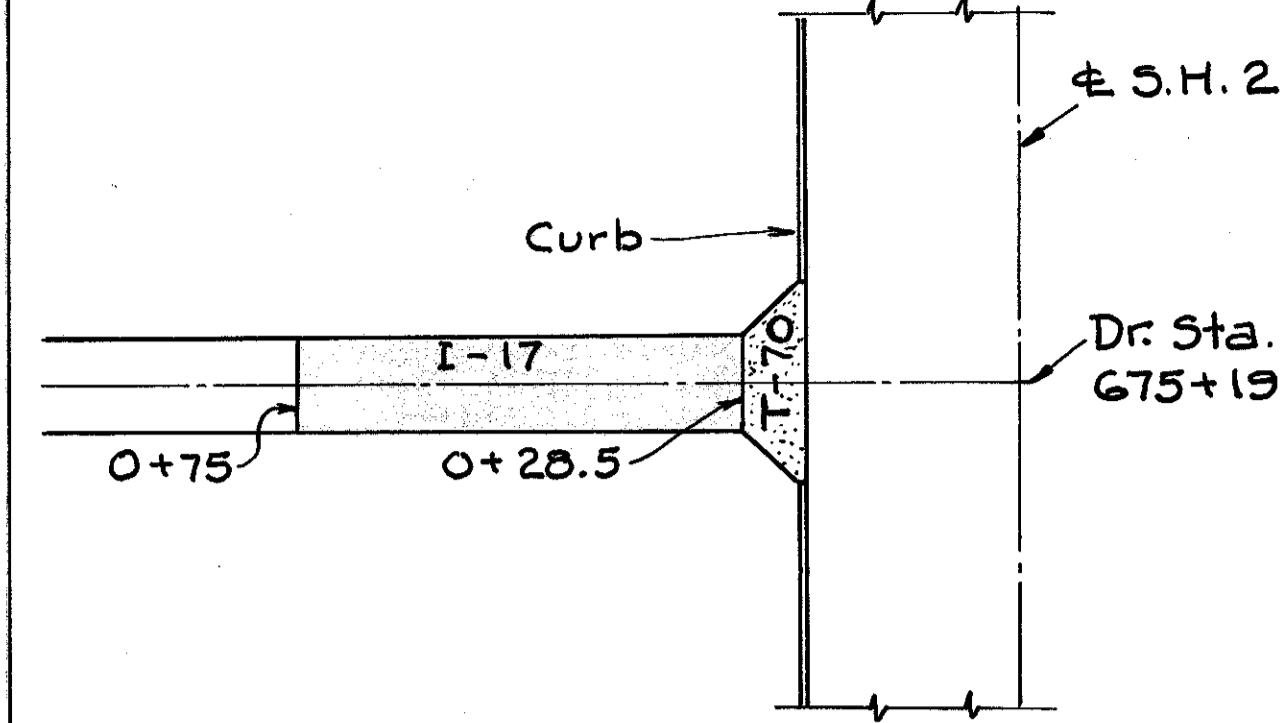
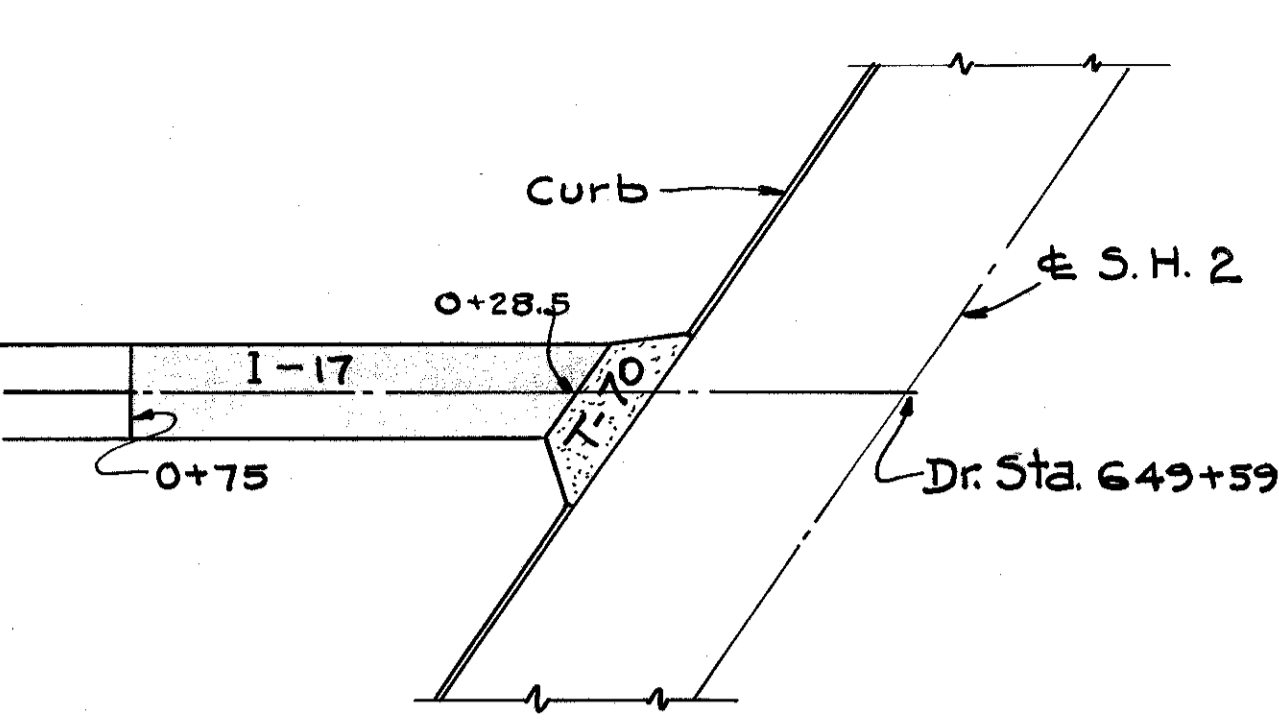
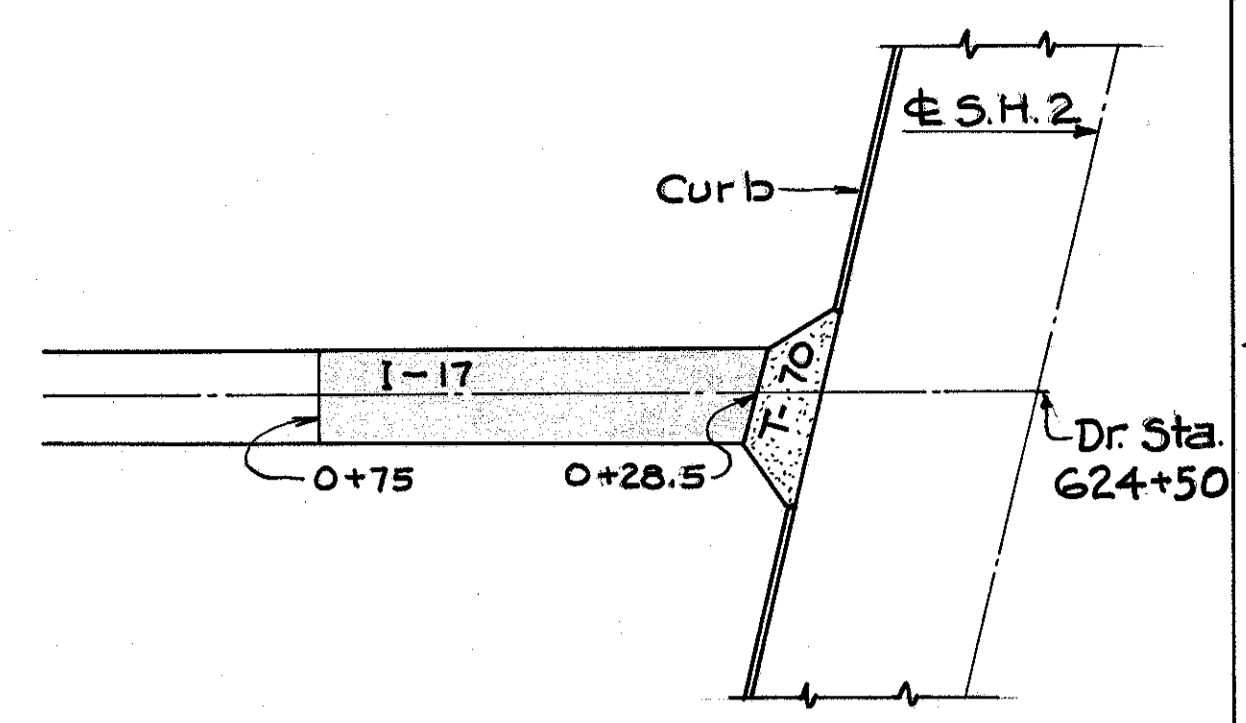


LAKE COUNTY
S.H. 2 SEC. Q (PT.)



Embankment	
End Area	Cu. Yds.
0	15
20	2
0	0
Total 17 C.Y.	

Embankment	
End Area	Cu. Yds.
0	13
18	2
0	0
Total 15 C.Y.	

Embankment	
End Area	Cu. Yds.
0	12
17	1
0	0
Totals 13 C.Y.	

Embankment	
End Area	Cu. Yds.
0	12
17	1
0	0
Totals 13 C.Y.	

Embankment	
End Area	Cu. Yds.
0	15
20	2
0	0
Totals 17 C.Y.	

DR. STA. 624+50 LEFT	
Embankment	17 Cu. Yds.
T-70	11.9 Sq. Yds.
I-17	4.3 Cu. Yds.

DR. STA. 649+59 LEFT	
Embankment	15 Cu. Yds.
T-70	11.9 Sq. Yds.
I-17	4.3 Cu. Yds.

DR. STA. 675+19 LEFT	
Embankment	13 Cu. Yds.
T-70	11.9 Sq. Yds.
I-17	4.3 Cu. Yds.

DR. STA. 675+82 LEFT	
Embankment	13 Cu. Yds.
T-70	11.9 Sq. Yds.
I-17	4.3 Cu. Yds.

DR. STA. 687+31 LEFT	
Embankment	17 Cu. Yds.
T-70	11.9 Sq. Yds.
I-17	4.3 Cu. Yds.

T-70 Regular = 11.9 Sq. Yds.
 I-17 = 0+28.5 to 0+75
 $(46.5 \times 10 \times .25) \div 27 = 4.3$ Cu. Yds.