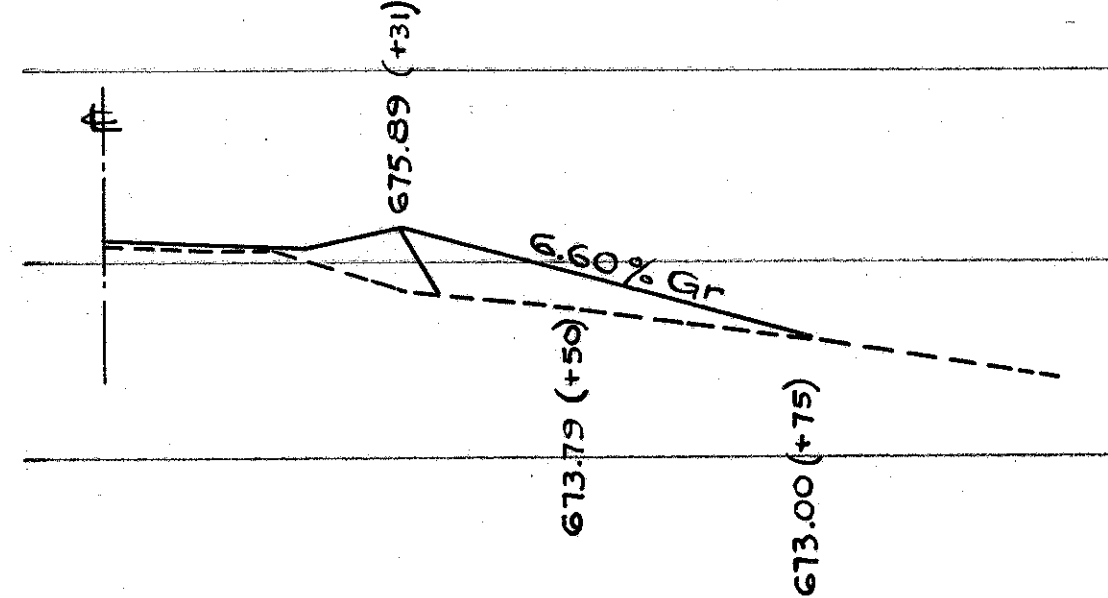
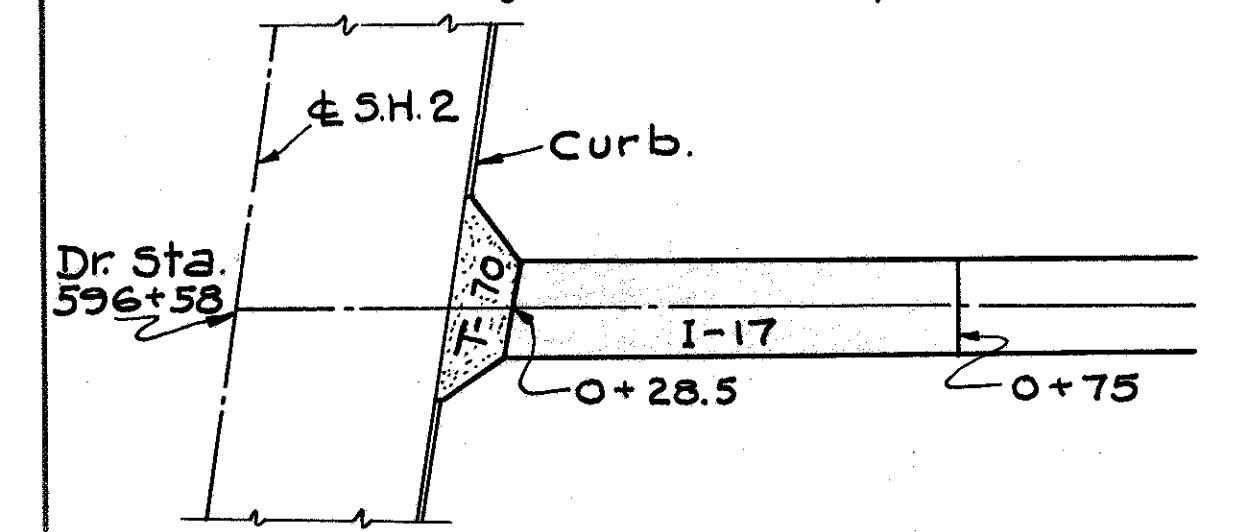


LAKE COUNTY
S. H. 2 SEC. Q (PT.)

| DRIVES | | | | |
|----------|---------|--------|----------|--------|
| Station | R or L | Emb. | T-70 | I-17 |
| 574 + 57 | R - 50' | 5 C.Y. | 11.95 Y. | 2 C.Y. |
| 575 + 65 | R - 50' | 5 | 11.9 | 2 |
| 587 + 40 | R - 50' | 5 | 11.9 | 2 |
| 588 + 29 | R - 50' | 8 | 11.9 | 2 |
| 595 + 75 | L - 50' | 5 | 11.9 | 2 |
| 597 + 10 | R - 50' | 5 | 11.9 | 2 |
| 609 + 60 | L - 50' | 5 | 11.9 | 2 |
| 617 + 32 | R - 50' | 5 | 11.9 | 2 |
| 631 + 12 | L - 50' | 5 | 11.9 | 2 |
| 641 + 00 | L - 50' | 5 | 11.9 | 2 |
| 642 + 42 | L - 50' | 5 | 11.9 | 2 |
| 643 + 01 | L - 50' | 5 | 11.9 | 2 |
| 646 + 37 | L - 50' | 5 | 11.9 | 2 |
| 646 + 78 | L - 50' | 5 | 11.9 | 2 |
| 651 + 00 | L - 50' | 5 | 11.9 | 2 |
| 679 + 19 | L - 50' | 5 | 11.9 | 2 |
| 681 + 88 | L - 50' | 5 | 11.9 | 2 |

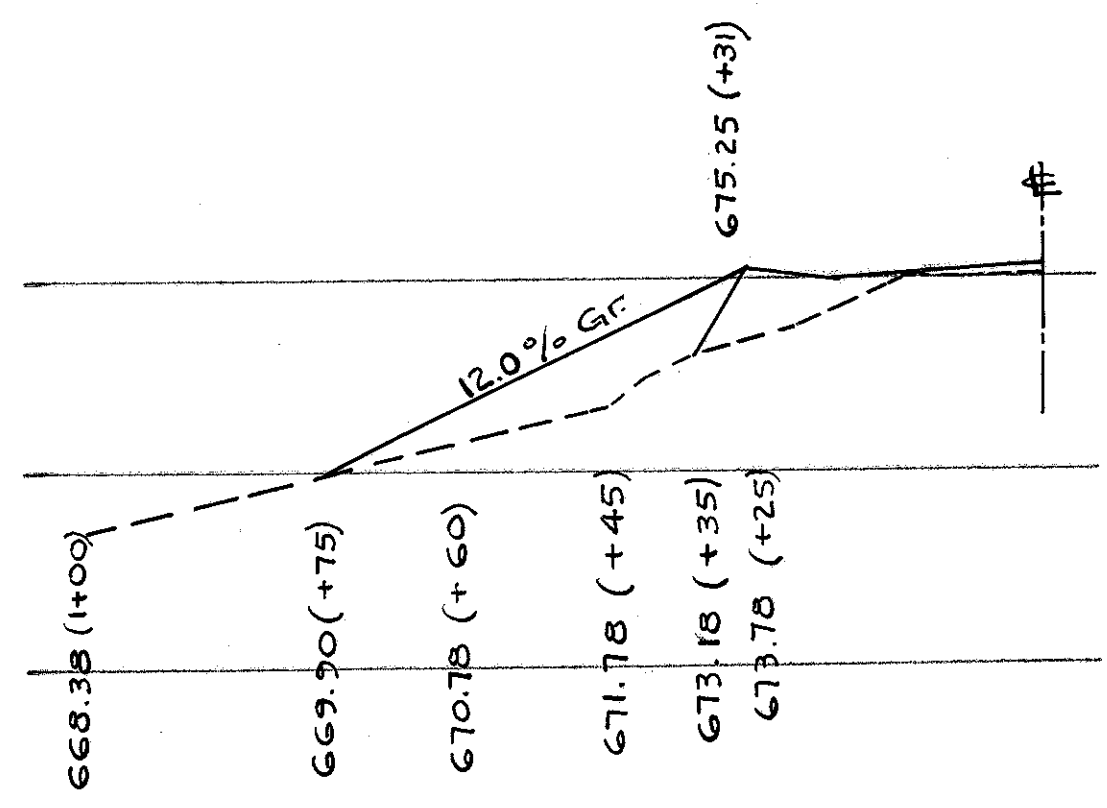
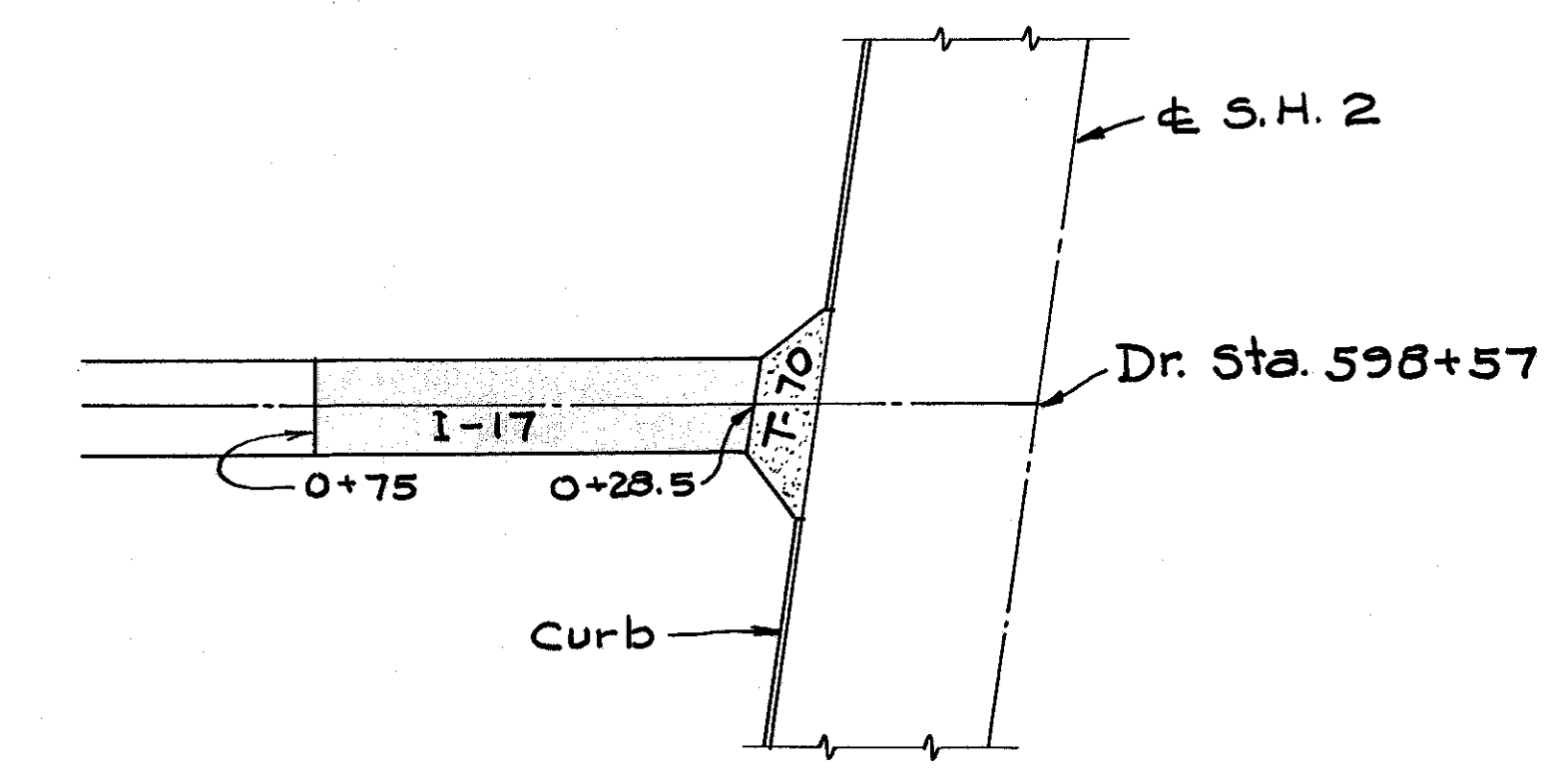
* I-17 (21.5 x 10 x 2.5) ÷ 27 = 2 Cu. Yds.
x T-70 Regular = 11.9 Sq. Yds.



| Embankment | |
|------------|----------|
| End Area | Cu. Yds. |
| 0 | |
| 20 | 15 |
| 0 | 2 |
| 0 | |
| Total | 17 C.Y. |

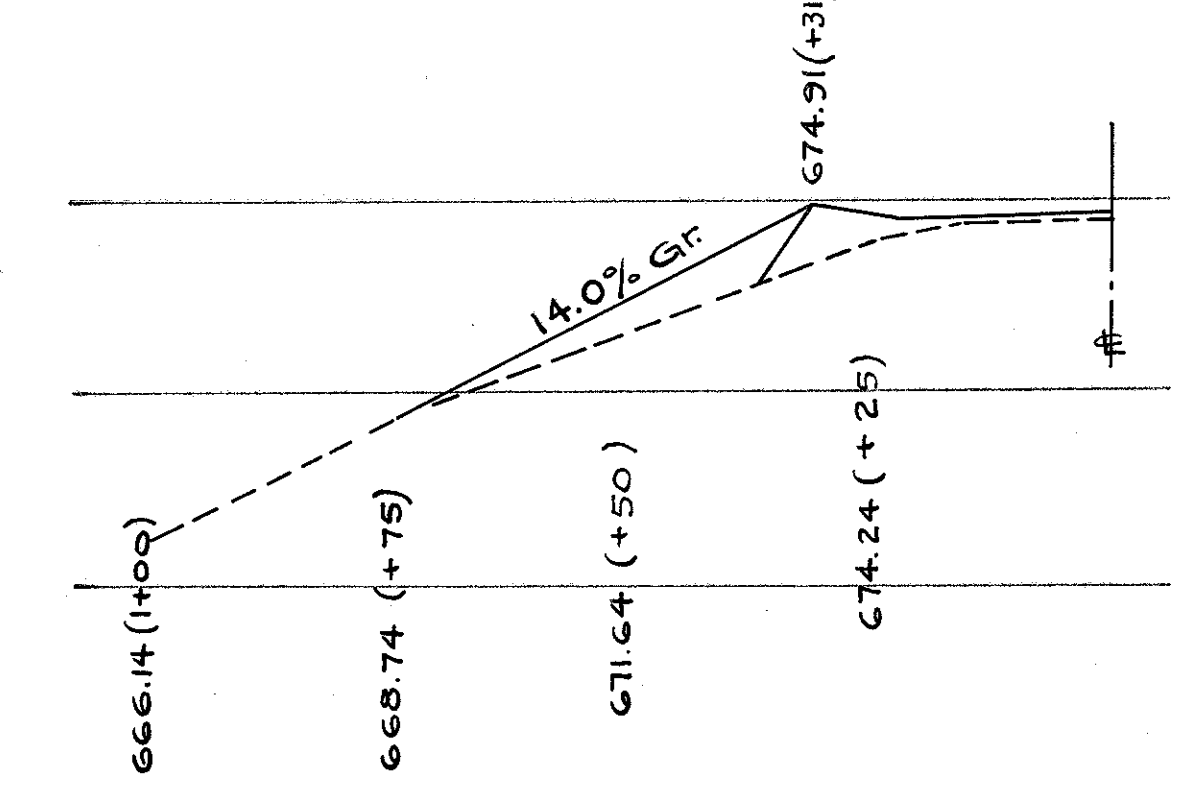
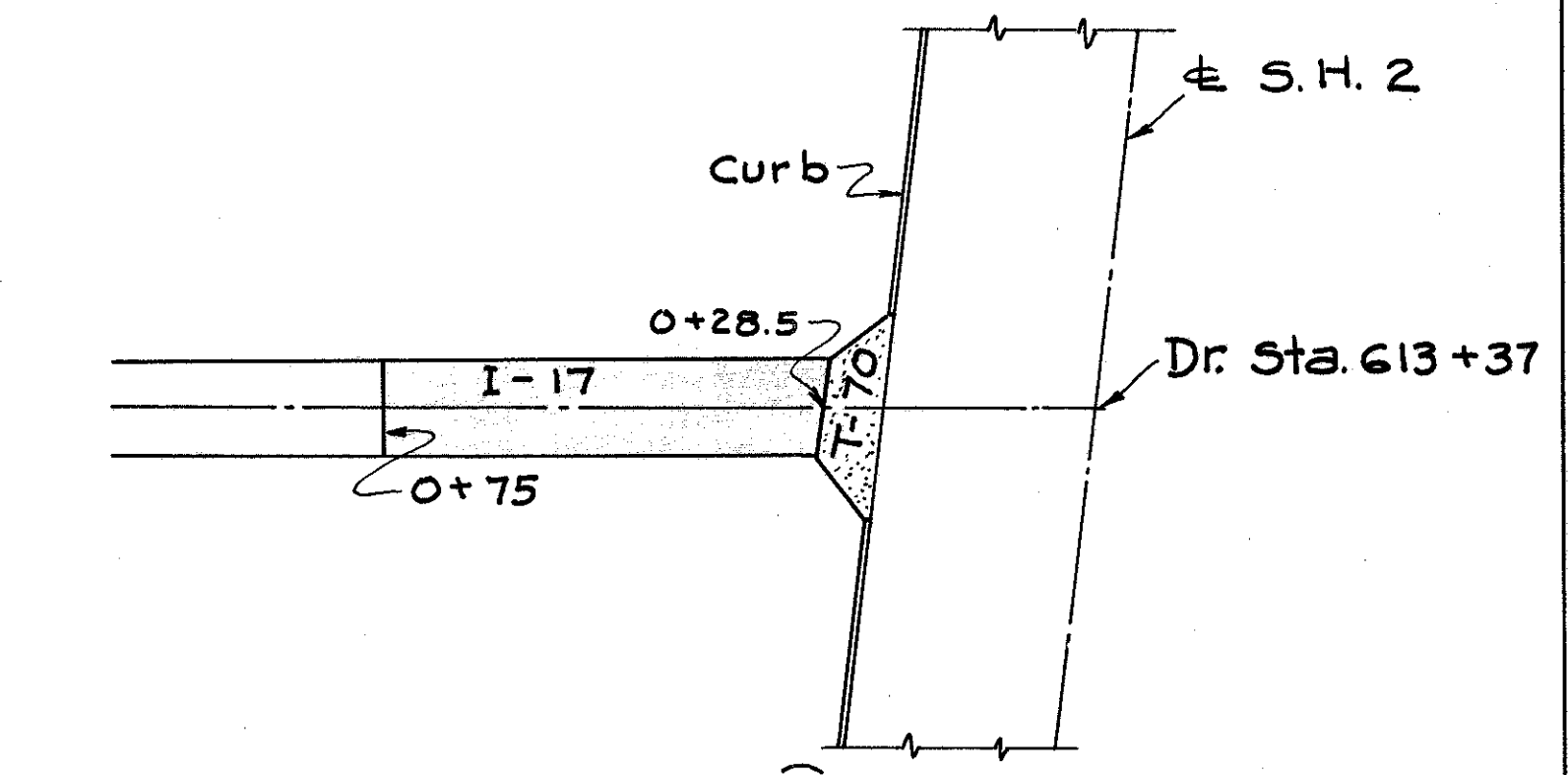
DR. STA. 596+58 RIGHT
Embankment = 17 Cu. Yds.
T-70 11.9 Sq. Yds.
I-17 4.3 Cu. Yds.

T-70 Regular = 11.9 Sq. Yds.
I-17 = 0+28.5 to 0+75
(46.5 x 10 x .25) ÷ 27 = 4.3 Cu. Yds.



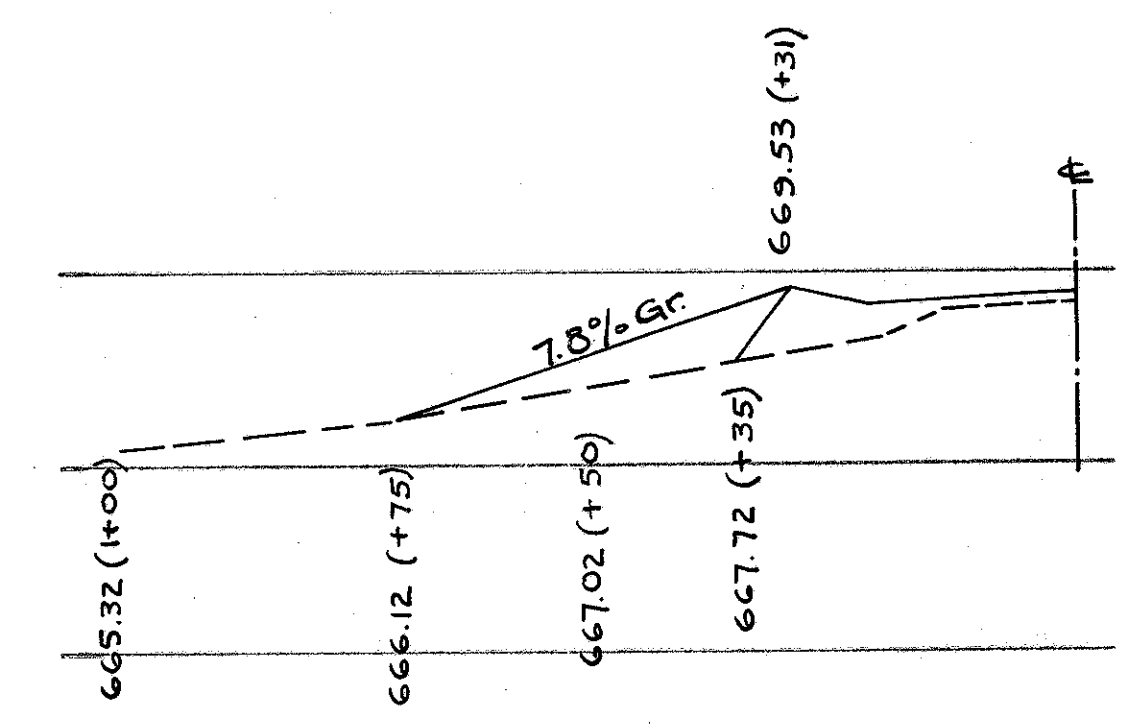
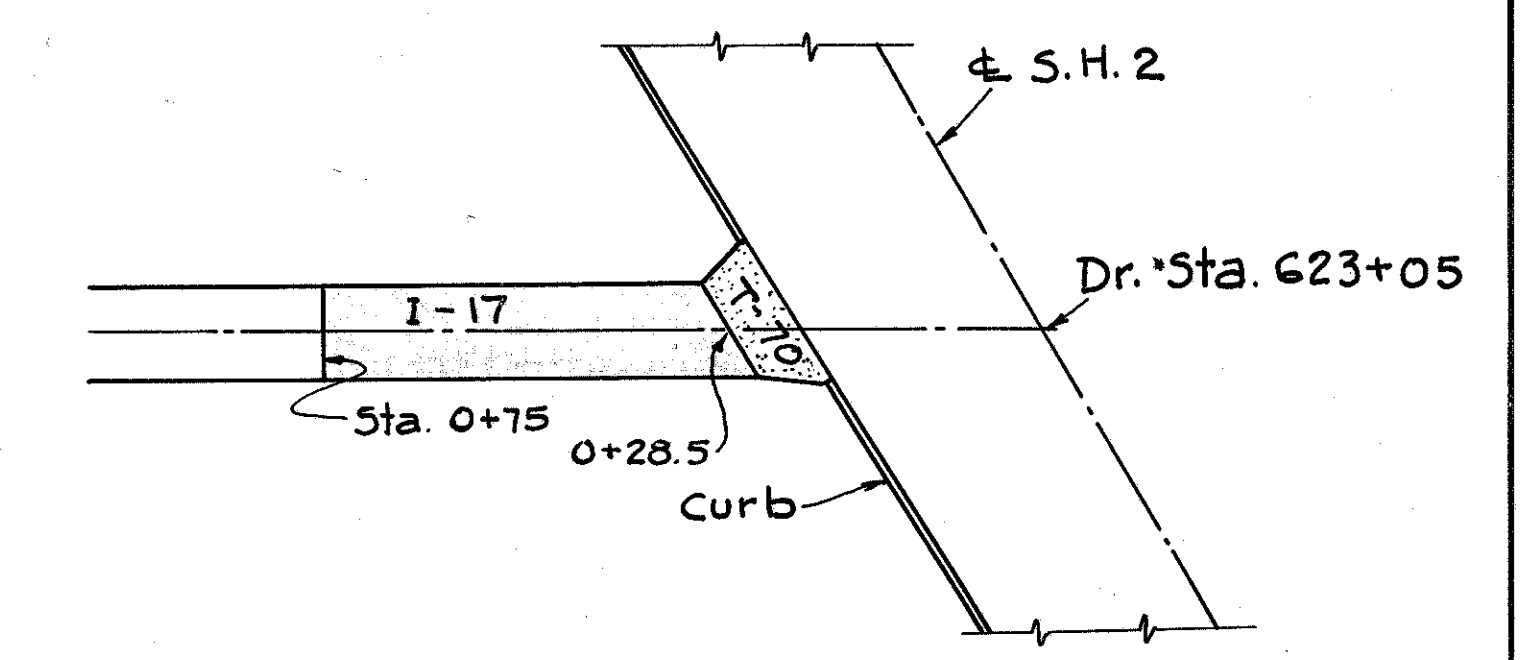
| Embankment | |
|------------|----------|
| End Area | Cu. Yds. |
| 0 | |
| 20 | 14 |
| 0 | 2 |
| 0 | |
| Total | 16 C.Y. |

DR. STA. 598+57 LEFT
Embankment = 16 Cu. Yds.
T-70 11.9 Sq. Yds.
I-17 4.3 Cu. Yds.



| Embankment | |
|------------|----------|
| End Area | Cu. Yds. |
| 0 | |
| 18 | 13 |
| 0 | 2 |
| 0 | |
| Total | 15 C.Y. |

DR. STA. 613+37 LEFT
Embankment 15 Cu. Yds.
T-70 11.9 Sq. Yds.
I-17 4.3 Cu. Yds.



| Embankment | |
|------------|----------|
| End Area | Cu. Yds. |
| 0 | |
| 20 | 15 |
| 0 | 2 |
| 0 | |
| Total | 17 C.Y. |

DR. STA. 623+05 LEFT
Embankment 17 Cu. Yds.
T-70 11.9 Sq. Yds.
I-17 4.3 Cu. Yds.