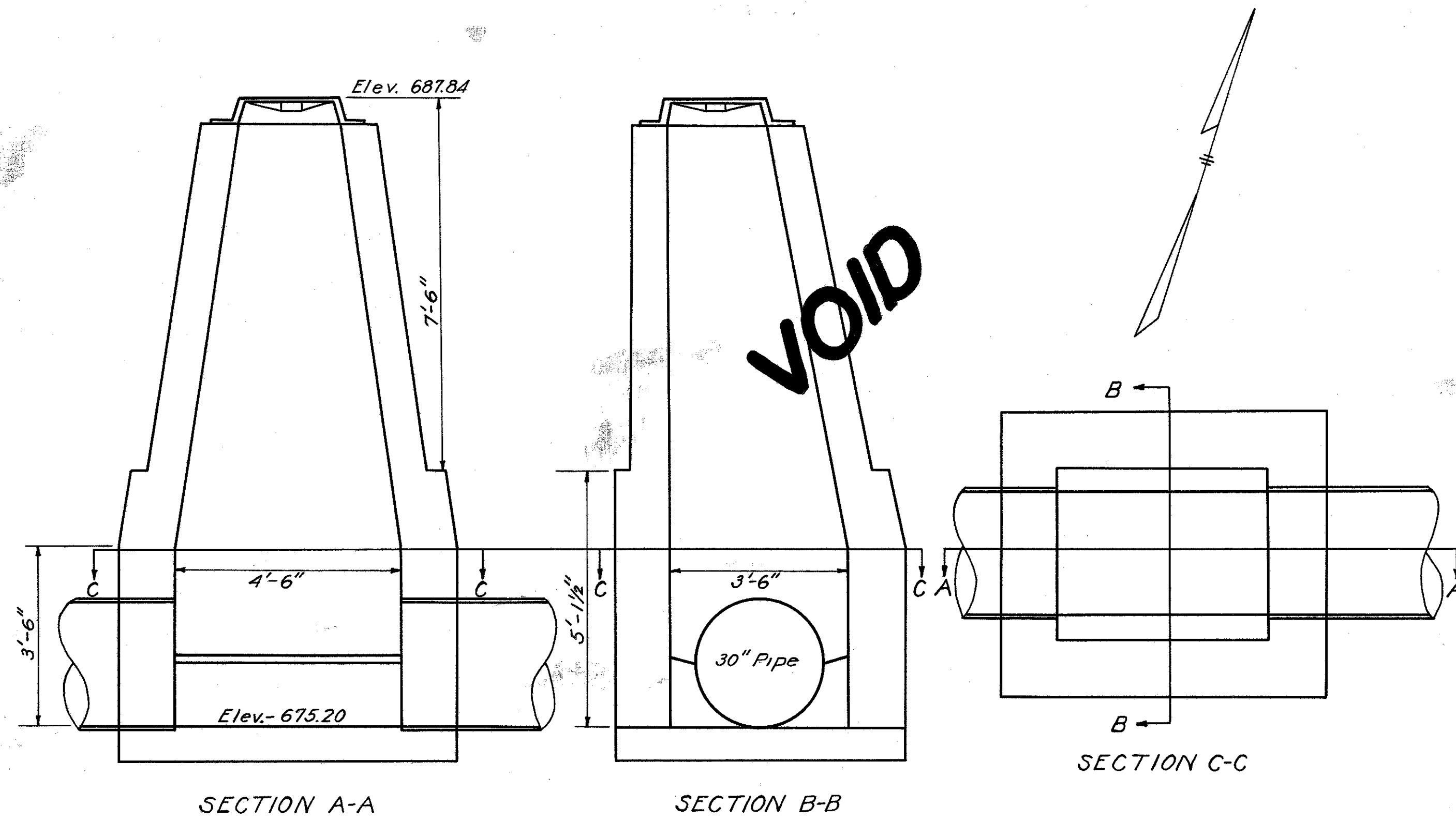


STA. 394+50  
DRAINAGE STRUCTURE 4-C OF SHEET NO 11



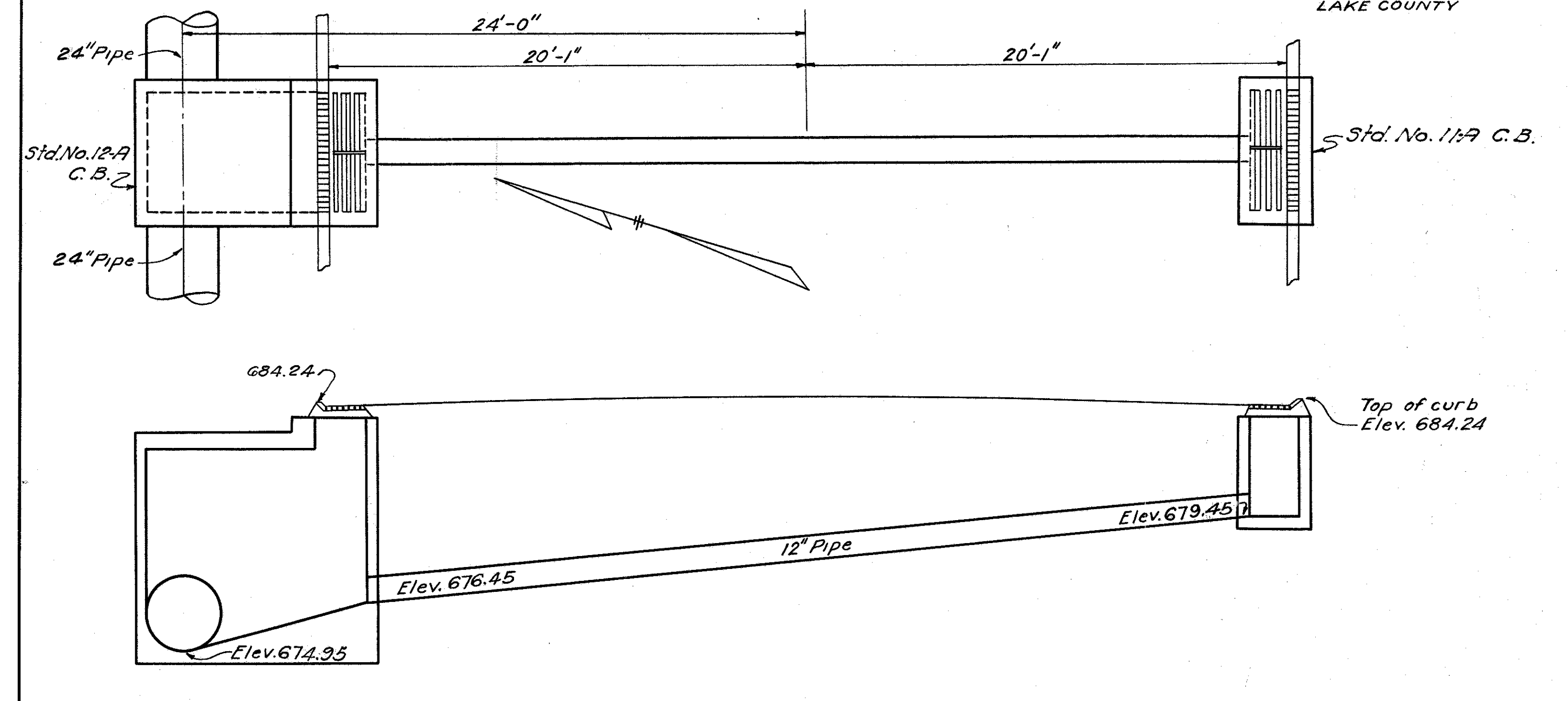
ESTIMATED QUANTITIES  
Excavation 27 Cu. Yds.  
Std. No. 2 M.H. 1-Each

STA. 388+50  
DRAINAGE STRUCTURE 2-C OF SHEET NO 12

FED. DIST. NO.	STATE	F. A. PROJECT	FISCAL YEAR
10	OHIO	4(4)	1939

CLEVELAND BUFFALO ROAD  
S.M. No. 2 SEC. VI (P.A.)  
LAKE COUNTY

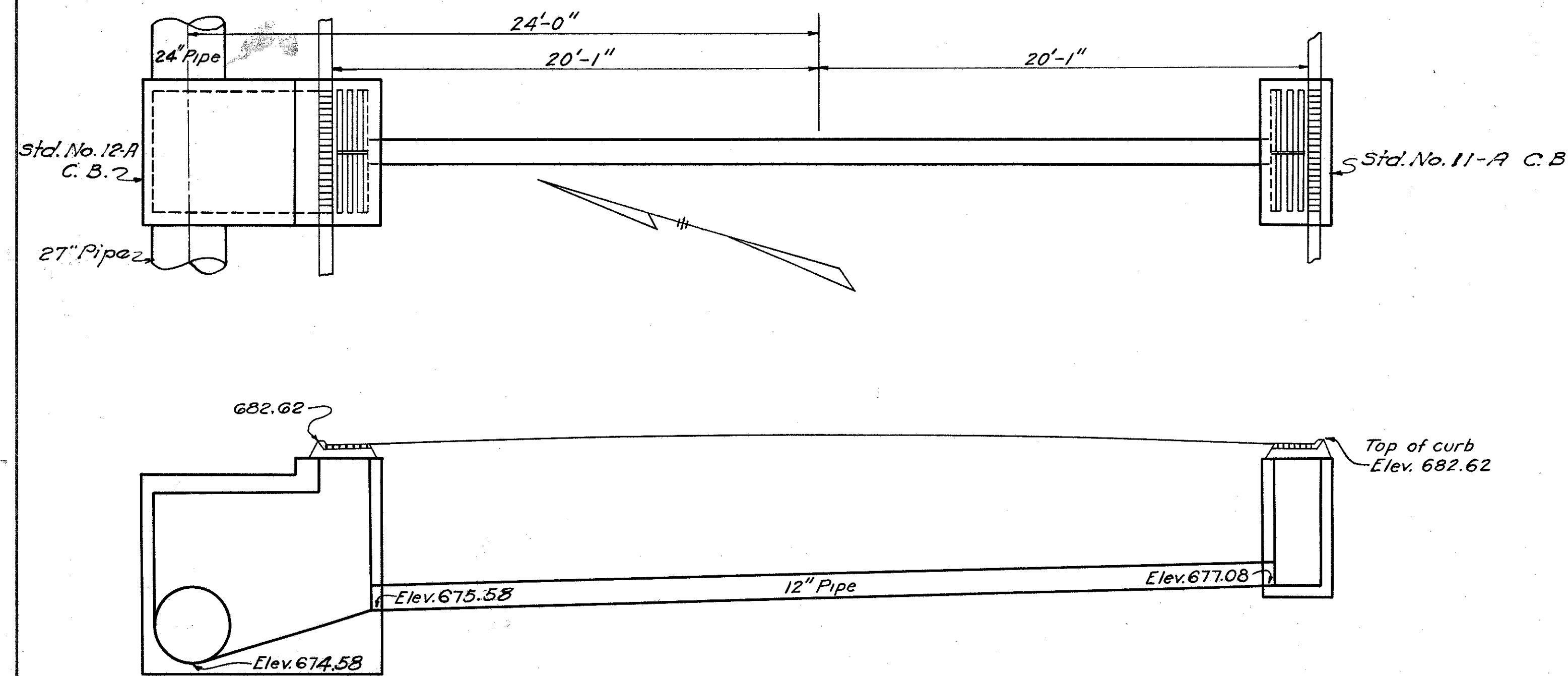
60  
68



CULVERT DATA  
Type Pipe Culvert  
Size 12" X 37"  
Work Required Build Std. Pipe Culvert 12" X 37" with Std. No. 11A Catch Basin on Rt. and Std. No. 12A Catch Basin on Lt.

ESTIMATED QUANTITIES  
Excavation 18 Cu. Yds.  
12" Culvert Pipe 37 Ft.  
Std. No. 11A Catch Basin 1 Each  
Std. No. 12A Catch Basin 1 Each

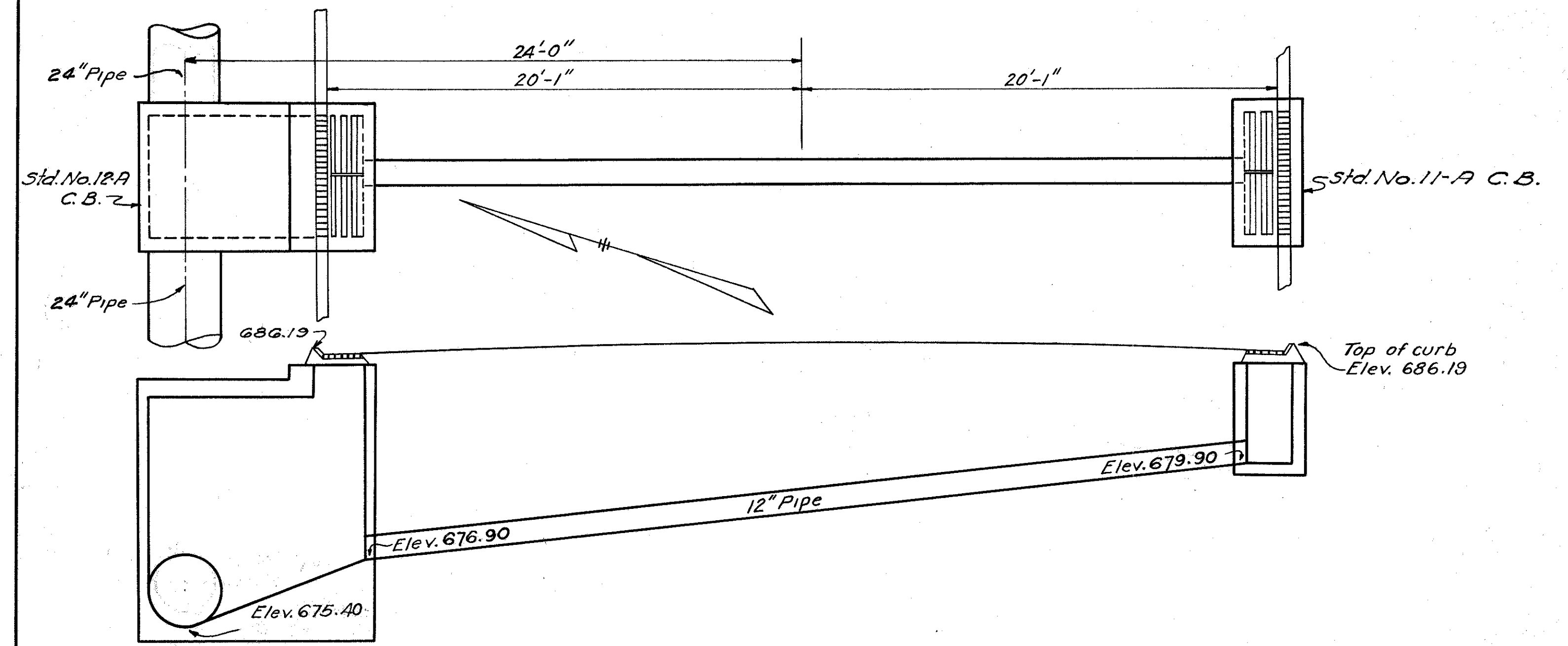
STA. 386+00  
DRAINAGE STRUCTURE 1-C OF SHEET NO 12



CULVERT DATA  
Type Pipe Culvert  
Size 12" X 37"  
Work Required Build Std. Pipe Culvert 12" X 37" with Std. No. 11A Catch Basin on Rt. and Std. No. 12A Catch Basin on Lt.

ESTIMATED QUANTITIES  
12" Culvert Pipe 37 Ft.  
Std. No. 11A Catch Basin 1 Each  
Std. No. 12A Catch Basin 1 Each  
Excavation 17 Cu. Yds.

STA. 391+50  
DRAINAGE STRUCTURE 3-C OF SHEET NO 12



CULVERT DATA  
Type Pipe Culvert  
Size 12" X 37"  
Work Required Build Std. Pipe Culvert 12" X 37" with Std. No. 11A Catch Basin on Rt. and Std. No. 12A Catch Basin on Lt.

ESTIMATED QUANTITIES  
Excavation 22 Cu. Yds.  
12" Culvert Pipe 37 Ft.  
Std. No. 11A Catch Basin 1 Each  
Std. No. 12A Catch Basin 1 Each