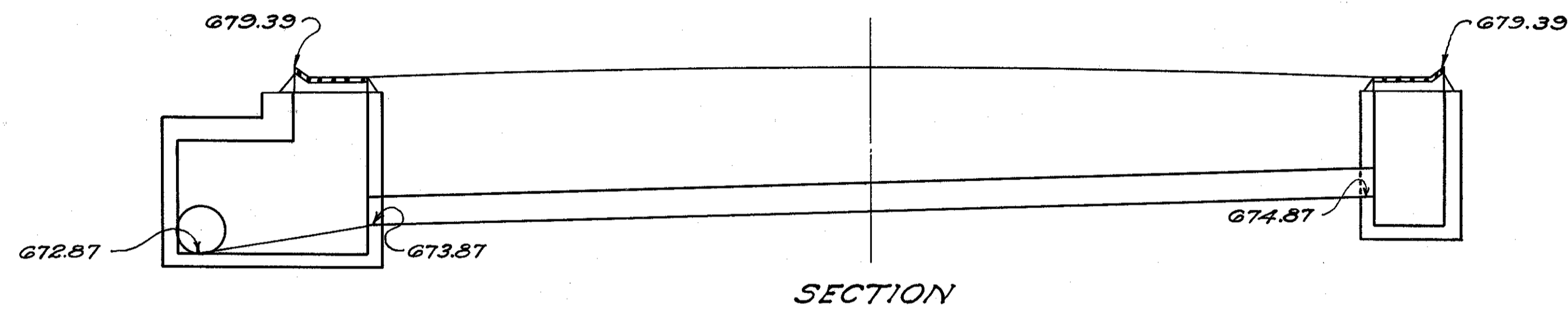
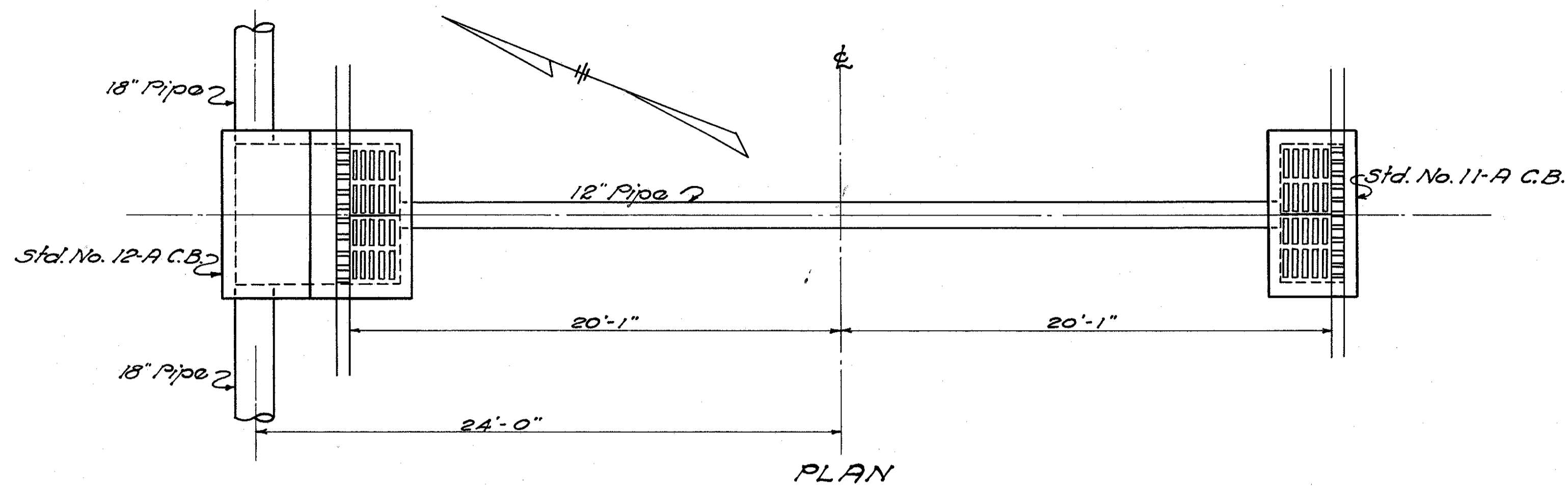


STA. 295+20  
DRAINAGE STRUCTURE 1-C SHEET 6



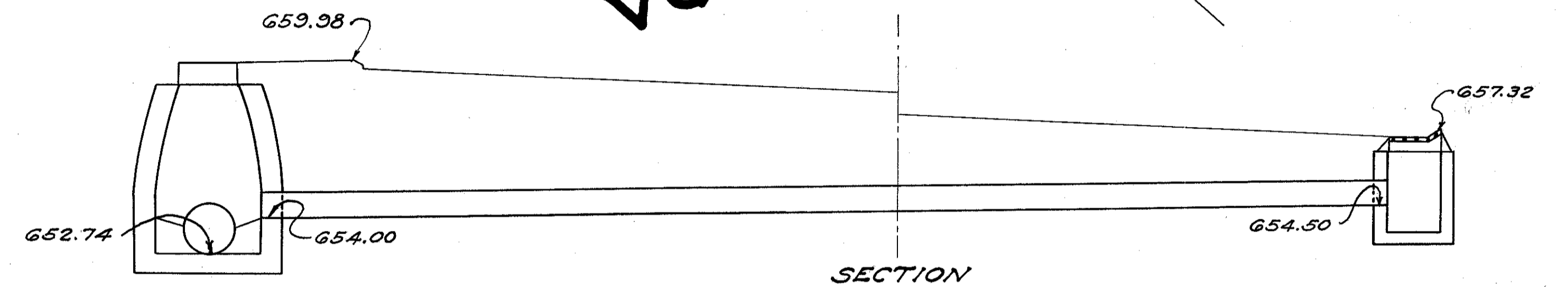
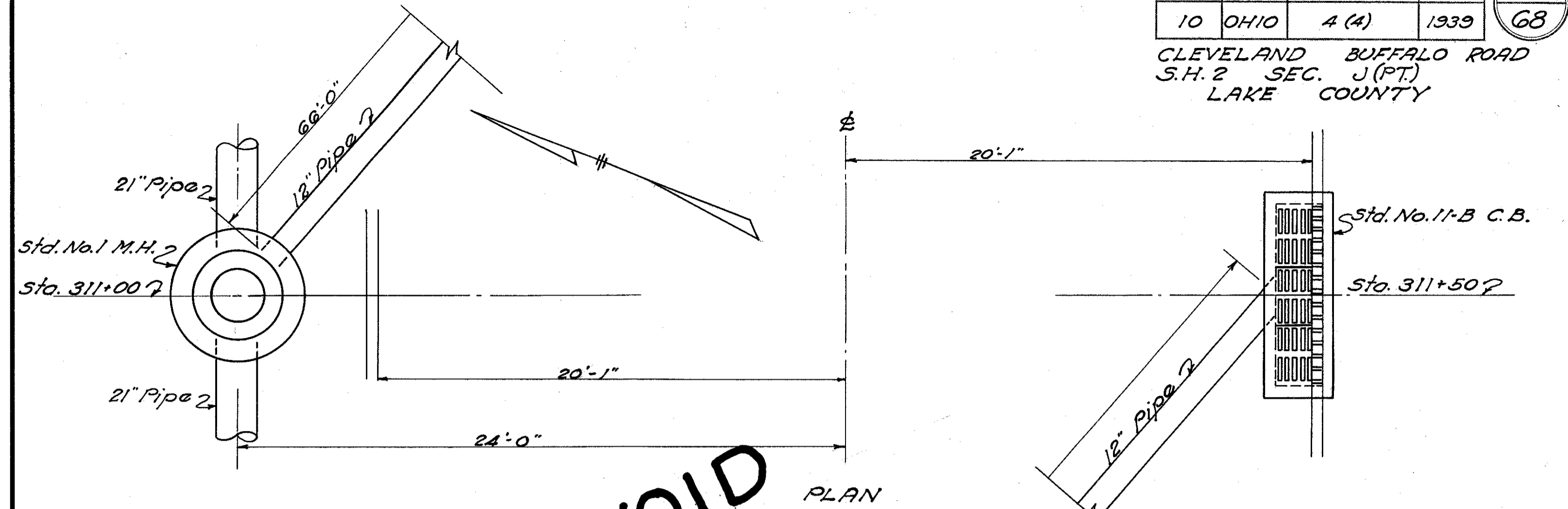
**CULVERT DATA**  
 TYPE: Pipe Culvert  
 SIZE: 12" x 37'-0"  
 WORK REQUIRED: Build 12" x 37'-0" Pipe Culvert with Std. 11-A Catch Basin on Rt. and Std. 12-A Catch Basin on Lt.

**ESTIMATED QUANTITIES**  
 Excavation 14 Cu. Yds  
 12" Pipe for Roadway Culvert 37 Lin. Ft.  
 Std. No. 11-A Catch Basin 1 Each  
 Std. No. 12-A Catch Basin 1 Each

STA. 311+00  
DRAINAGE STRUCTURE 1-C SHEET 7

FED. RD. DIST. NO.	STATE	F. A. PROJECT	FISCAL YEAR	55 68
10	OHIO	4 (A)	1939	

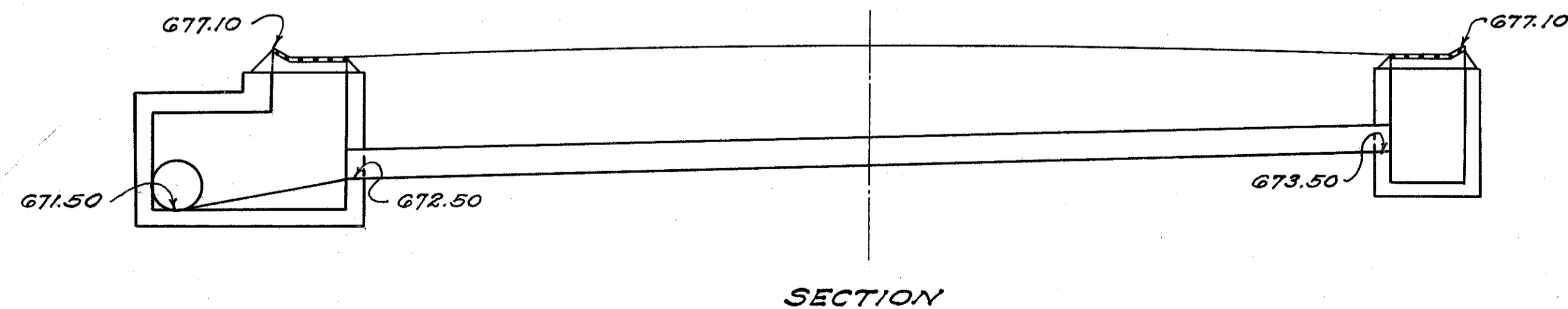
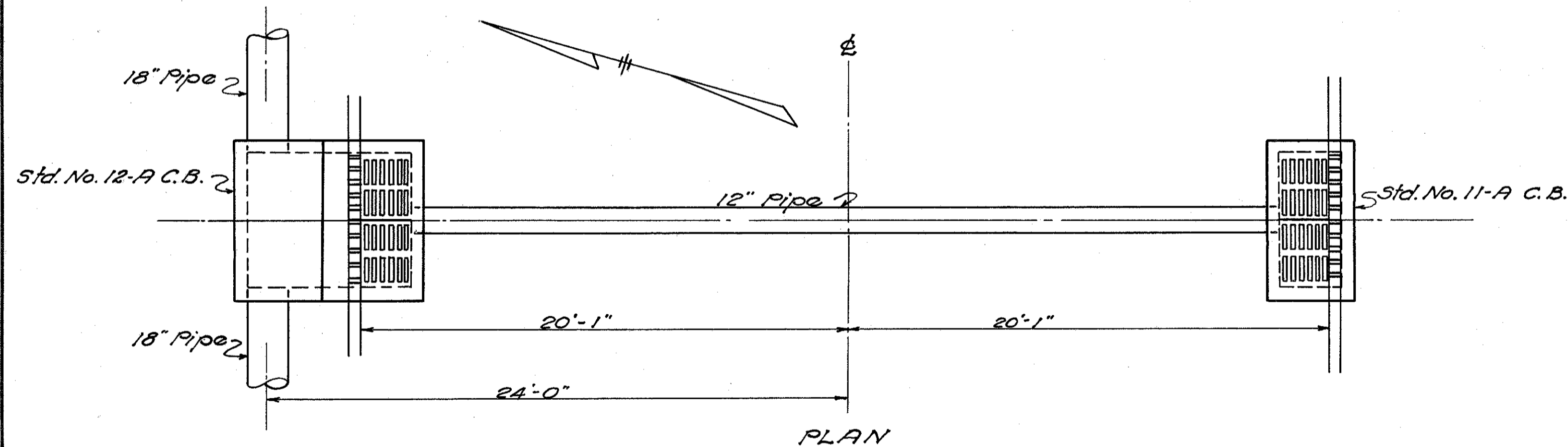
CLEVELAND BUFFALO ROAD  
 S.H. 2 SEC. J (PT.)  
 LAKE COUNTY



**CULVERT DATA**  
 TYPE: Pipe Culvert  
 SIZE: 12" x 66'-0"  
 WORK REQUIRED: Build 12" x 66'-0" Pipe Culvert with Std. 11-B Catch Basin on Rt. (Sta. 311+50) and Std. No. 1 Manhole on Lt. (Sta. 311+00)

**ESTIMATED QUANTITIES**  
 Excavation 20 Cu. Yds.  
 12" Pipe for Roadway Culvert 66 Lin. Ft.  
 Std. No. 11-B Catch Basin 1 Each  
 Std. No. 1 Manhole 1 Each

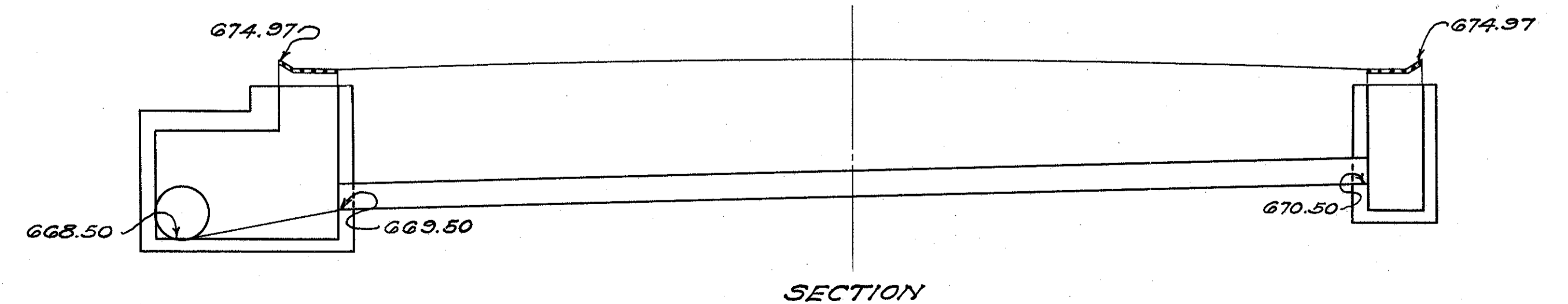
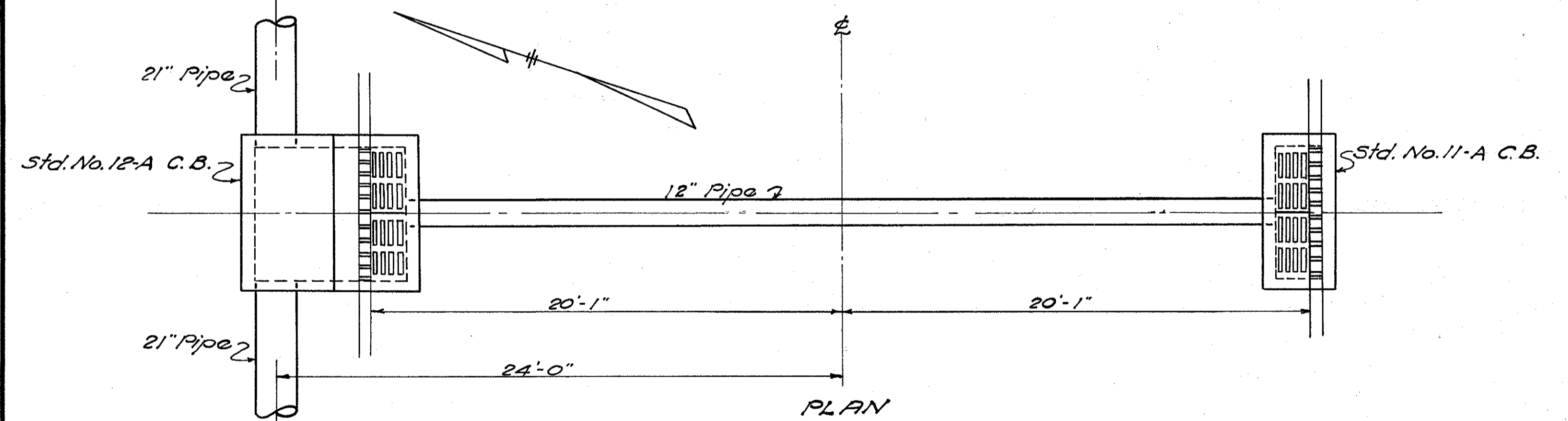
STA. 353+00  
DRAINAGE STRUCTURE 5-C SHEET 9



**CULVERT DATA**  
 TYPE: Pipe Culvert  
 SIZE: 12" x 37'-0"  
 WORK REQUIRED: Build 12" x 37'-0" Pipe Culvert with Std. 11-A Catch Basin on Rt. and Std. No. 12-A Catch Basin on Lt.

**ESTIMATED QUANTITIES**  
 Excavation 14 Cu. Yds  
 12" Pipe for Roadway Culvert 37 Lin. Ft.  
 Std. No. 11-A Catch Basin 1 Each  
 Std. No. 12-A Catch Basin 1 Each

STA. 343+00  
DRAINAGE STRUCTURE 1-C SHEET 9



**CULVERT DATA**  
 TYPE: Pipe Culvert  
 SIZE: 12" x 37'-0"  
 WORK REQUIRED: Build 12" x 37'-0" Pipe Culvert with Std. No. 11-A Catch Basin on Rt. and Std. No. 12-A Catch Basin on Lt.

**ESTIMATED QUANTITIES**  
 Excavation 14 Cu. Yds  
 12" Pipe for Roadway Culvert 37 Lin. Ft.  
 Std. No. 11-A Catch Basin 1 Each  
 Std. No. 12-A Catch Basin 1 Each