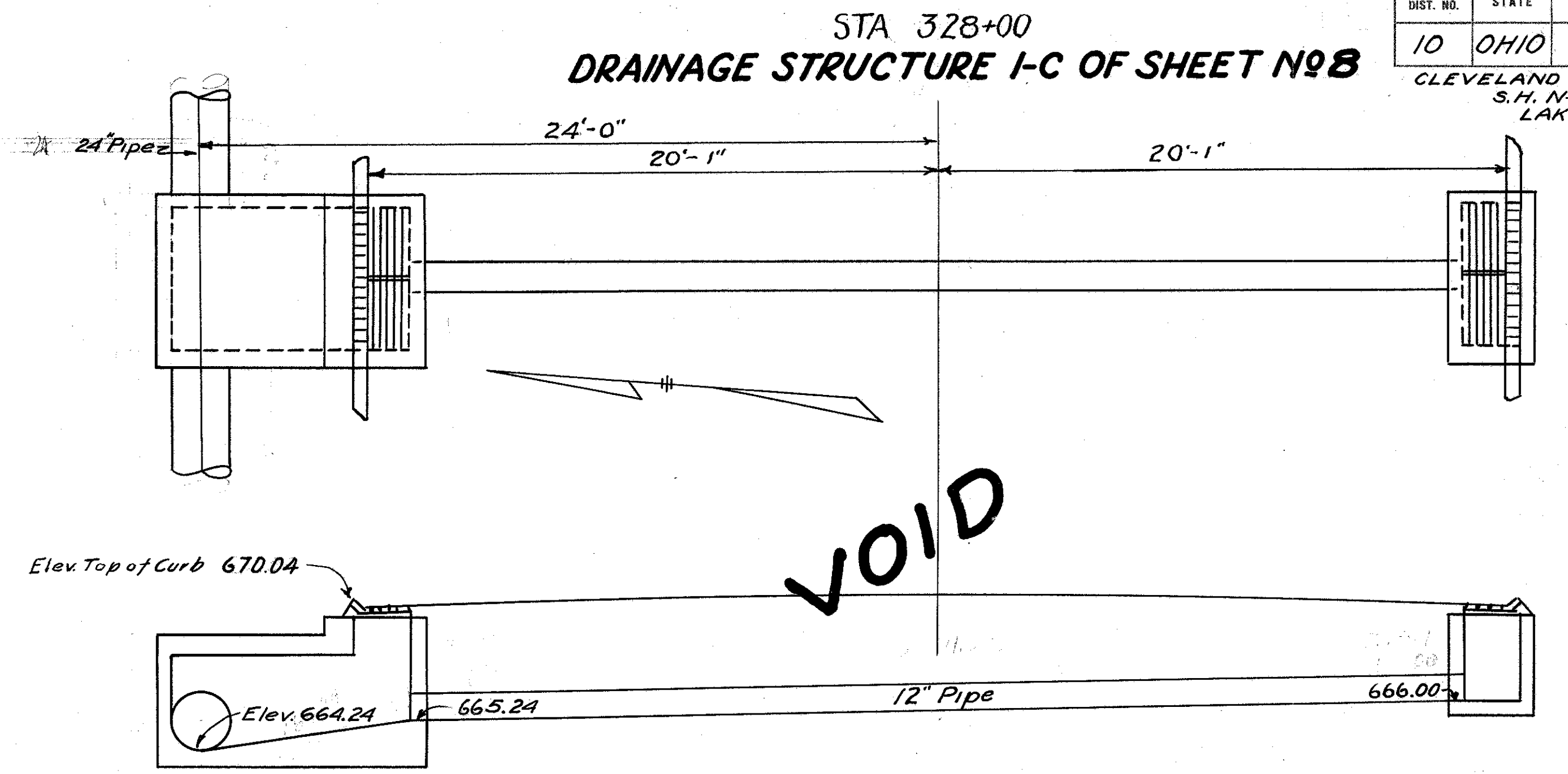


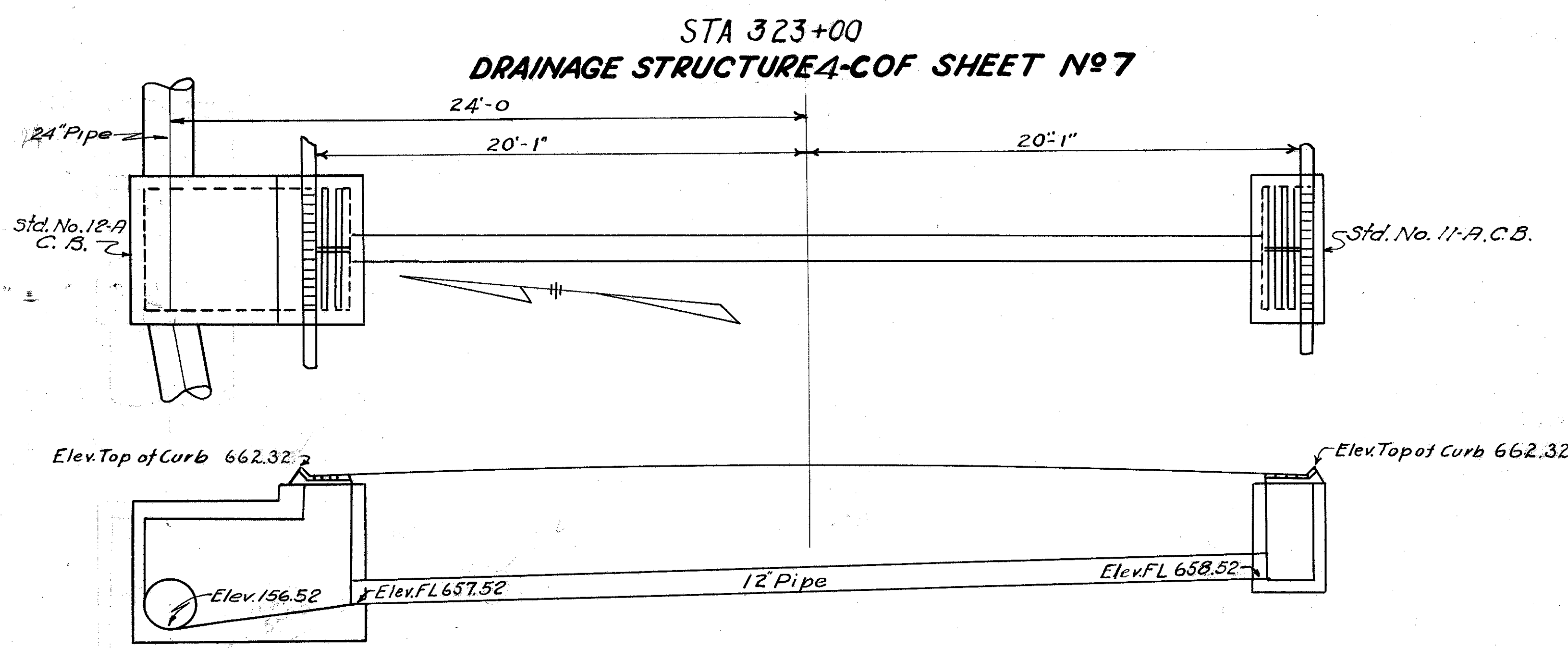
**CULVERT DATA**  
 Type Pipe Culvert  
 Size 12" X 41"  
 Work Required Build Std. Pipe Culvert 12" X 41' with Std. No. 11A Catch Basin on Rt. and Std. No. 1 Manhole on Lt.

**ESTIMATED QUANTITIES**  
 Excavation 28.08 Cu. Yds.  
 12" Culvert Pipe 41 Ft.  
 Std. No. 11A Catch Basin 1 Each.  
 Std. No. 1 Manhole 1 Each.



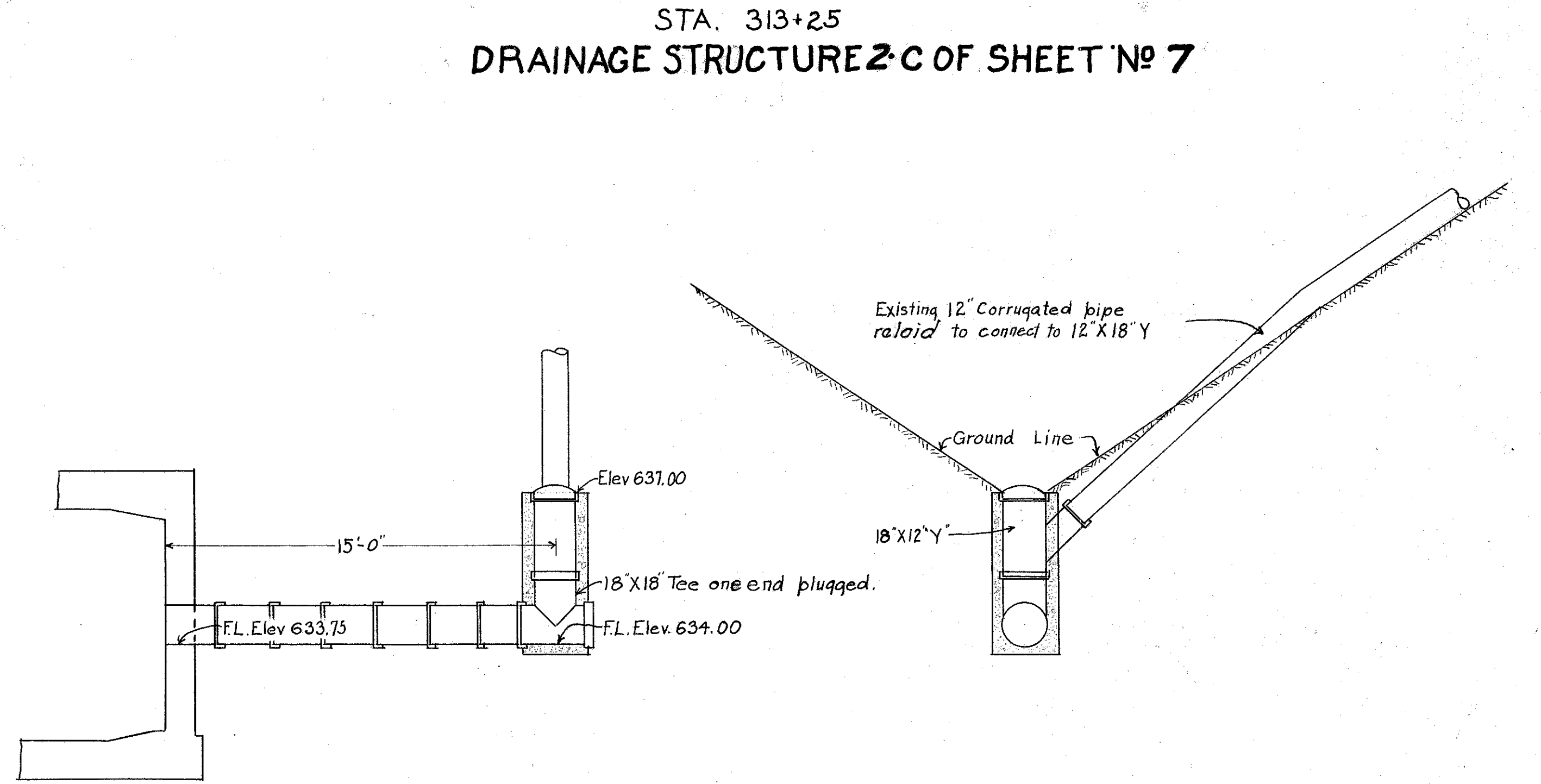
**CULVERT DATA**  
 Type Pipe Culvert  
 Size 12" X 37"  
 Work Required Build Std. Pipe Culvert 12" X 37' with Std. No. 11A Catch Basin on Rt. and Std. No. 12A Catch Basin on Lt.

**ESTIMATED QUANTITIES**  
 Excavation 12 Cu. Yds.  
 12" Culvert Pipe 37 Ft.  
 Std. No. 11A Catch Basin 1 Each.  
 Std. No. 12A Catch Basin 1 Each.



**CULVERT DATA**  
 Type Pipe Culvert  
 Size 12" X 37"  
 Work Required Build Std. Pipe Culvert 12" X 37' with Std. No. 11A Catch Basin on Rt. and Std. No. 12A Catch Basin on Lt.

**ESTIMATED QUANTITIES**  
 Excavation 11 Cu. Yds.  
 12" Culvert Pipe 37 Ft.  
 Std. No. 11A Catch Basin 1 Each.  
 Std. No. 12A Catch Basin 1 Each.



**CULVERT DATA**  
 Type Pipe Culvert  
 Size 18" X 16"  
 Work Required - Build Std. No. 7 side Ditch Catch Basin and connect to Conc. Box with 14 Lin. Ft. of 18" storm Sewer pipe. Remove for Re-use and Relay 14 Lin. Ft. of 12" Corr. M. Pipe and connect to Std. No. 7 Side Ditch Catch Basin.

**ESTIMATED QUANTITIES**  
 18" Pipe for Storm Sewer 14 Lin. Ft.  
 Std. No. 7 Side Ditch Catch Basin 1 Each.  
 12" Corr. M. Pipe removed for re-use 14 Lin. Ft.  
 12" Corr. M. Pipe relaid 14 Lin. Ft.