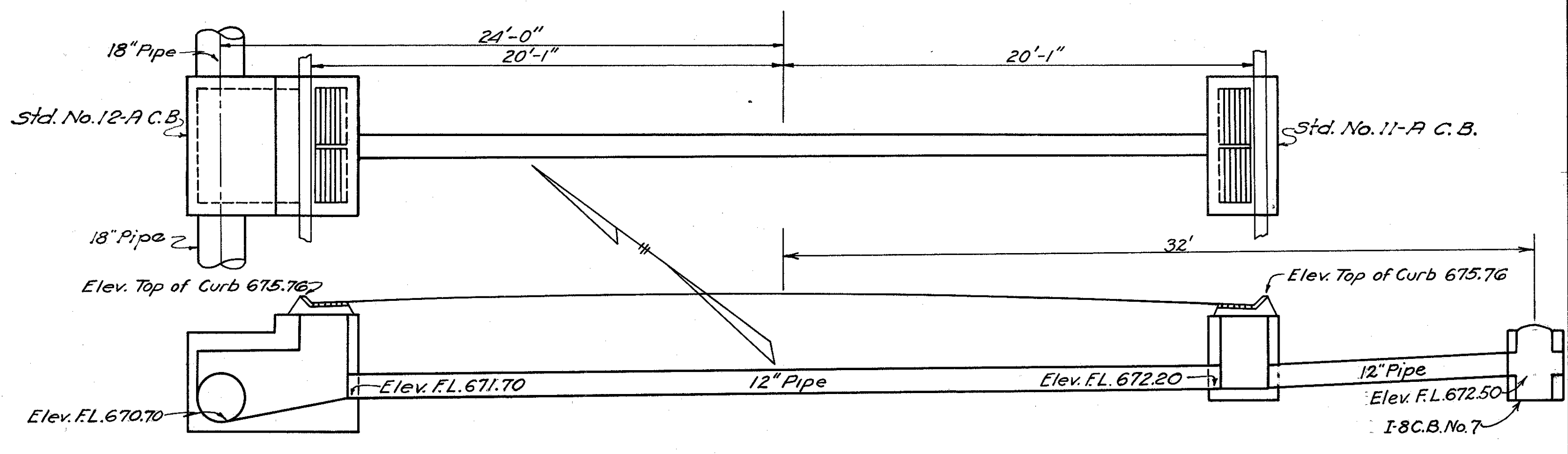


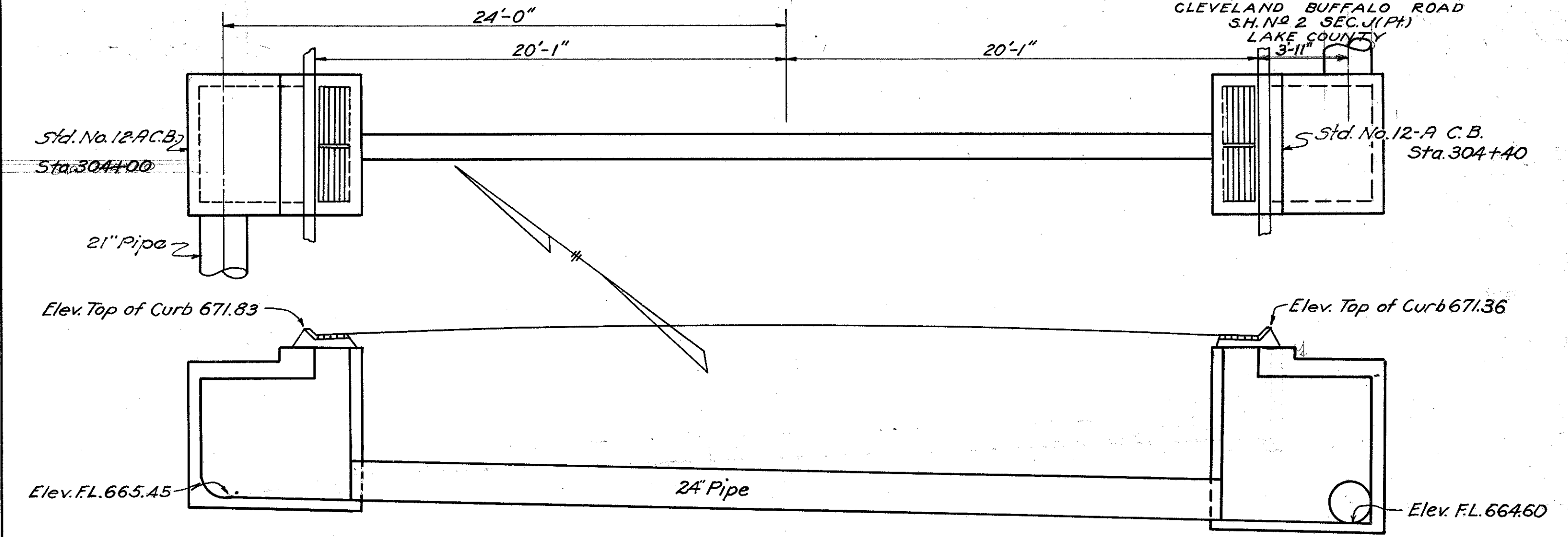
STA. 298+00
DRAINAGE STRUCTURE 2-C OF SHEET N^o 6



CULVERT DATA
 Type: Pipe Culvert
 Size: 12" X 37'
 Work Required: Build Std. 12" X 37" Pipe Culvert with Std. No. 11A Catch Basin on Rt. and Std. 12A Catch Basin on Lt.

ESTIMATED QUANTITIES
 Excavation 14 Cu. Yds.
 12" Pipe Culvert 47 Ft.
 Std. 12A Catch Basin 1 Each
 Std. 11A Catch Basin 1 Each
 Std. I-8 Catch Basin No. 7 1 Each

STA. 304+00
DRAINAGE STRUCTURE 4-C OF SHEET N^o 6



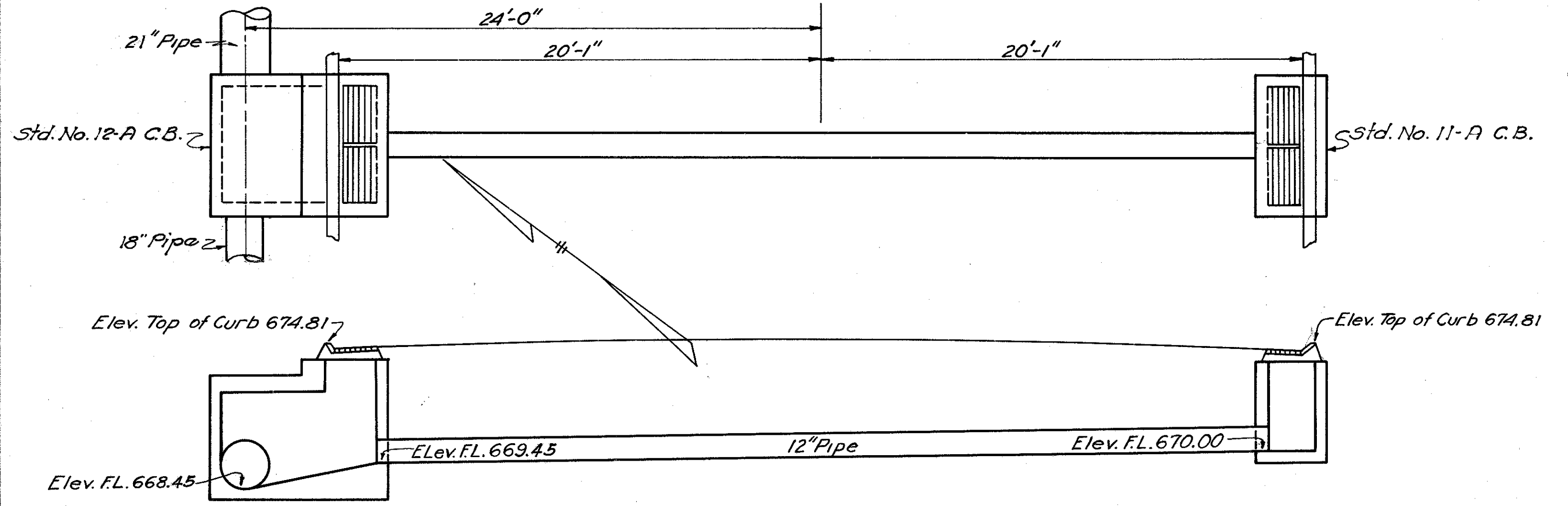
CULVERT DATA
 Type: Pipe Culvert
 Size: 24" X 54'
 Work Required: Build Std. 24" X 54" Pipe Culvert with Std. No. 12A Catch Basin on Rt. and Std. 12A Catch Basin on Lt.

ESTIMATED QUANTITIES
 Excavation 13 Cu. Yds.
 24" Pipe Culvert 54 Ft.
 Std. 12A Catch Basin 2 Each

FED. RD. DIST. NO.	STATE	FED. AID PROJECT	FISCAL YEAR	53 63
10	OHIO	4(4)	1939	

CLEVELAND BUFFALO ROAD
 S.H. N^o 2 SEC. 11 (P)
 LAKE COUNTY
 13 3/4"

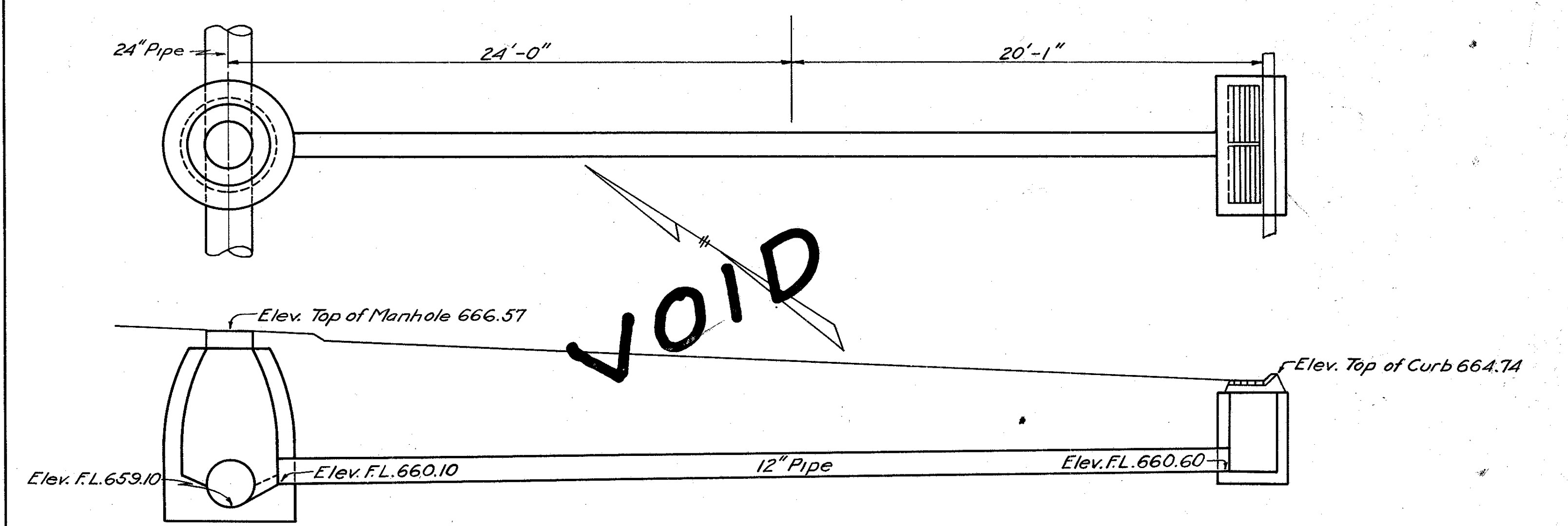
STA. 301+00
DRAINAGE STRUCTURE 3-C OF SHEET N^o 6



CULVERT DATA
 Type: Pipe Culvert
 Size: 12" X 37'
 Work Required: Build Std. 12" X 37" Pipe Culvert with Std. No. 11A Catch Basin on Rt. and Std. 12A Catch Basin on Lt.

ESTIMATED QUANTITIES
 Excavation 13 Cu. Yds.
 12" Pipe for Culvert 37 Ft.
 Std. 12A Catch Basin 1 Each
 Std. 11A Catch Basin 1 Each

STA. 308+00
DRAINAGE STRUCTURE 5-C OF SHEET N^o 6



CULVERT DATA
 Type: Pipe Culvert
 Size: 12" X 41'
 Work Required: Build Std. 12" X 41" Pipe Culvert with Std. No. 11A Catch Basin on the Rt. and Std. No. 1 Manhole on Lt.

ESTIMATED QUANTITIES
 Excavation 13 Cu. Yds.
 12" Pipe Culvert 41 Ft.
 Std. 11A Catch Basin 1 Each
 Std. No. 1 Manhole 1 Each