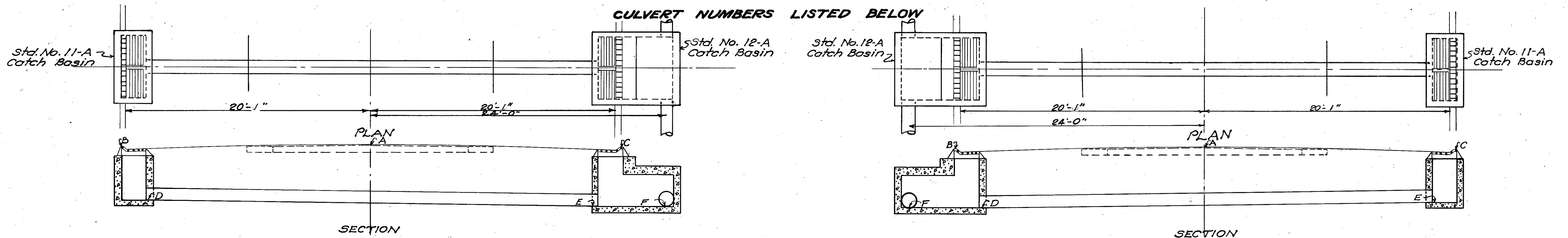


TYPICAL CULVERTS

for

CULVERT NUMBERS LISTED BELOW



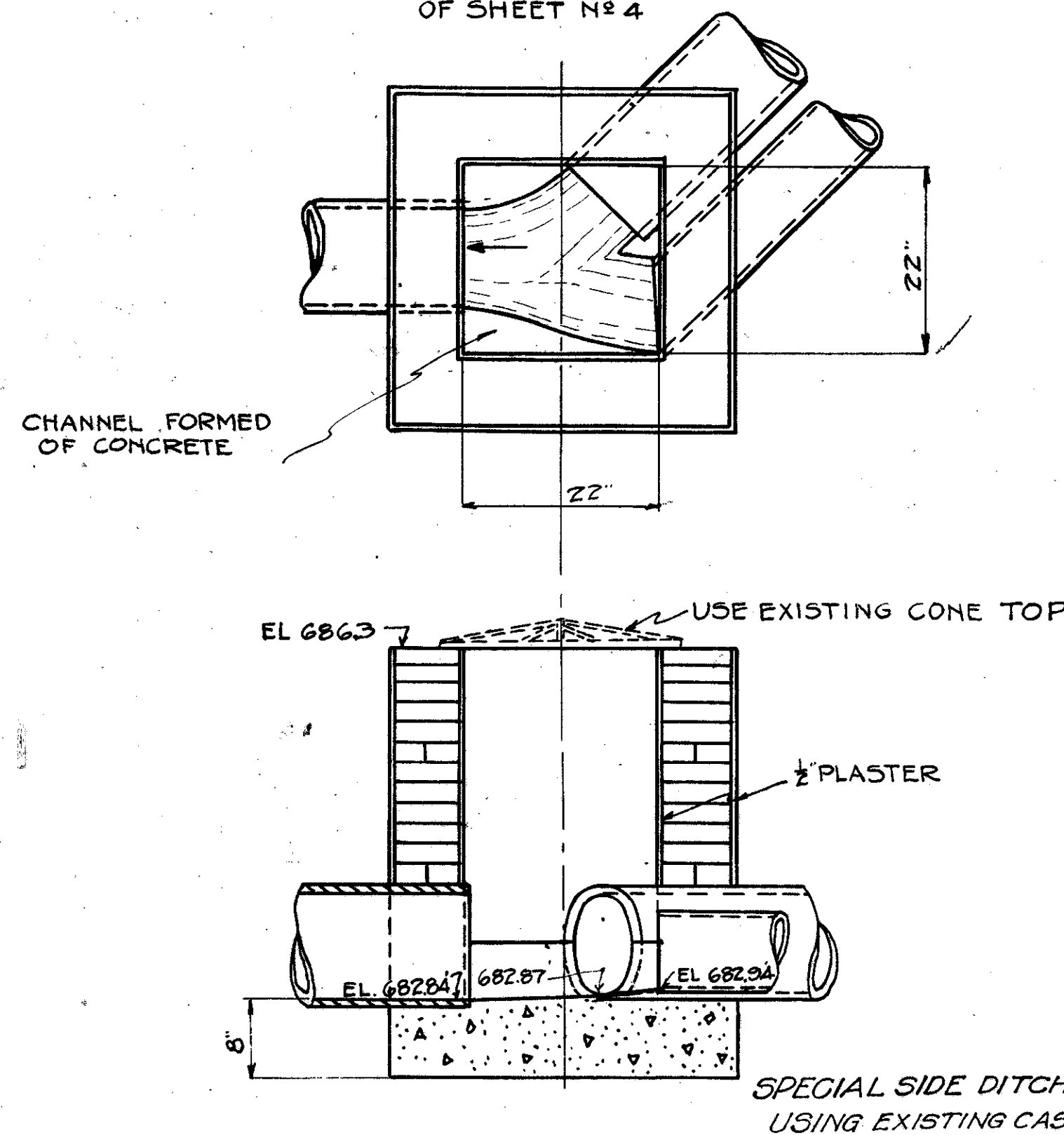
Type: Pipe Culvert
Size: 12" x 42"
Work Req: Build 12" x 42" Std. Pipe Culv.

Sheet No.	Culvert No.	Station	A = E Elevation	B = curb-box grade on L	C = curb-box grade on R	D = F.L. culv. on L	E = F.L. culv. on R	F = F.L. Sewer	Excav. Cu. Yds.	12" Pipe Lin. Ft.	Std. 12-A C.B.	Std. 11-A C.B.
4	2-C	154+75	688.48	688.46	688.44	685.20	684.70	684.48	16	37		
	3-C	163+00	686.92	686.48	686.48	683.00	682.50	682.50	16	37		
	4-C	166+75	685.56	685.52	685.52	682.10	681.60	681.60	16	37		
	5-C	170+25	684.73	684.69	684.69	681.26	680.76	680.76	16	37		
5	9-C	204+50	678.44	678.40	678.40	674.94	674.44	674.44	16	37		
	10-C	208+00	680.11	680.07	680.07	676.61	676.11	676.11	16	37		
6	1-C	211+75	681.72	681.68	681.68	678.22	677.72	677.72	16	37		
	2-C	217+00	681.52	681.54	681.54	678.08	677.58	677.58	16	37		
	3-C	220+00	680.96	680.92	680.92	677.46	676.96	676.96	16	37		
	7-C	258+20	678.84	678.80	678.80	674.34	673.84	673.84	16	37		
	8-C	258+25	681.39	681.35	681.35	677.89	677.39	677.39	16	37		
	9-C	264+25	683.77	683.73	683.73	680.27	679.77	679.77	16	37		
7	10-C	264+25	683.76	683.72	683.72	680.26	679.76	679.76	16	37		
	11-C	267+25	691.03	690.99	690.99	687.49	686.99	686.99	16	37		
	12-C	270+00	691.83	691.79	691.79	688.29	687.79	687.79	16	37		
6	4-C	223+00	680.19	680.15	680.15	676.69	676.19	676.19	16	37		

Type: Pipe Culvert
Size: 12" x 42"
Work Req: Build 12" x 42" Std. Pipe culv.

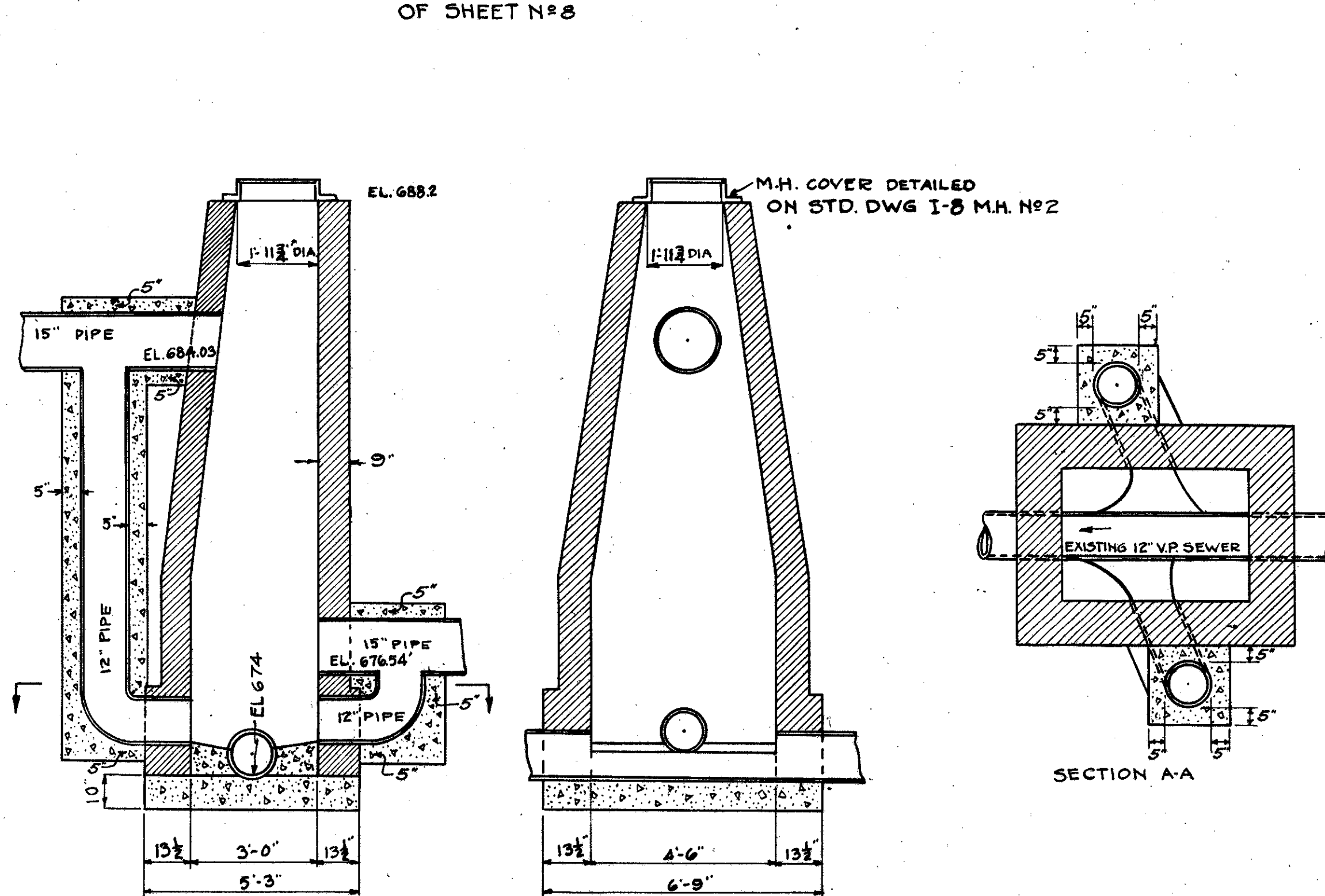
Sheet No.	Culvert No.	Station	A = E Elevation	B = curb-box grade on L	C = curb-box grade on R	D = F.L. culv. on L	E = F.L. culv. on R	F = F.L. Sewer	Excav. Cu. Yds.	12" Pipe Lin. Ft.	Std. 12-A C.B.	Std. 11-A C.B.
5	2-C	177+25	684.73	684.69	684.69	681.23	680.73	680.73	16	37		
	3-C	180+50	685.64	685.50	685.50	682.04	681.54	681.54	16	37		
	4-C	187+25	685.45	685.41	685.41	681.85	681.35	681.35	16	37		
	5-C	190+75	684.67	684.63	684.63	681.17	680.67	680.67	16	37		
	6-C	194+25	683.77	683.73	683.73	679.27	678.77	678.77	16	37		
	7-C	197+50	681.24	681.20	681.20	677.74	677.24	677.24	16	37		
6	6-C	237+50	685.08	685.04	685.04	681.08	680.58	680.58	16	37		
	7-C	240+50	684.87	684.83	684.83	680.87	680.37	680.37	16	37		
	8-C	243+50	682.85	682.81	682.81	678.85	678.35	678.35	16	37		
	9-C	246+00	681.06	681.02	681.02	677.10	676.60	676.60	16	37		
7	4-C	248+00	681.59	681.55	681.55	677.59	677.09	677.09	16	37		
	5-C	252+50	680.20	680.16	680.16	676.20	675.70	675.70	16	37		
	6-C	255+00	681.83	681.79	681.79	677.83	677.33	677.33	16	37		
	7-C	258+25	683.77	683.73	683.73	680.27	679.77	679.77	16	37		
8	2-C	277+25	690.82	690.78	690.78	686.82	686.32	686.32	16	37		
	3-C	279+50	689.27	689.23	689.23	685.27	684.77	684.77	16	37		

STATION 147+25
DRAINAGE STRUCTURE I-b
OF SHEET N^o 4



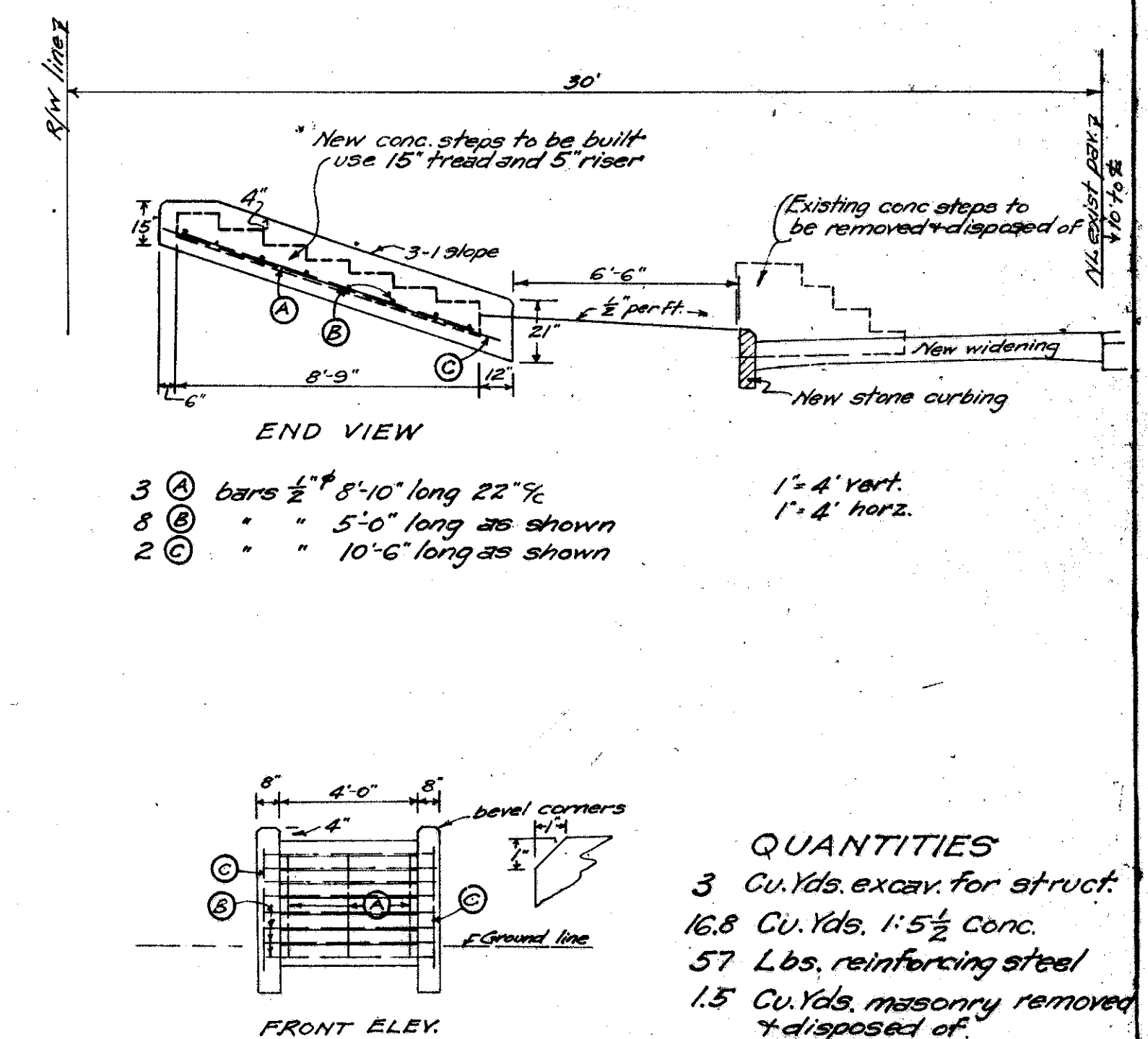
DETAIL OF BASIN
3/4" = 1'-0"

STATION 279+96
DRAINAGE STRUCTURE I-M
OF SHEET N^o 8



DETAIL OF M.H.
3/8" = 1'-0"

FOR SUPPLEMENTARY DETAILS SEE STD. DWG I-8 M.H. N^o 2



QUANTITIES
3 Cu. Yds. excav. for struct.
16.8 Cu. Yds. 1:5 1/2 Conc.
57 Lbs. reinforcing steel
1.5 Cu. Yds. masonry removed
& disposed of.

See Plan Sheet 8 (1)
CONCRETE STEPS AT STA. 278+36 ON L.