

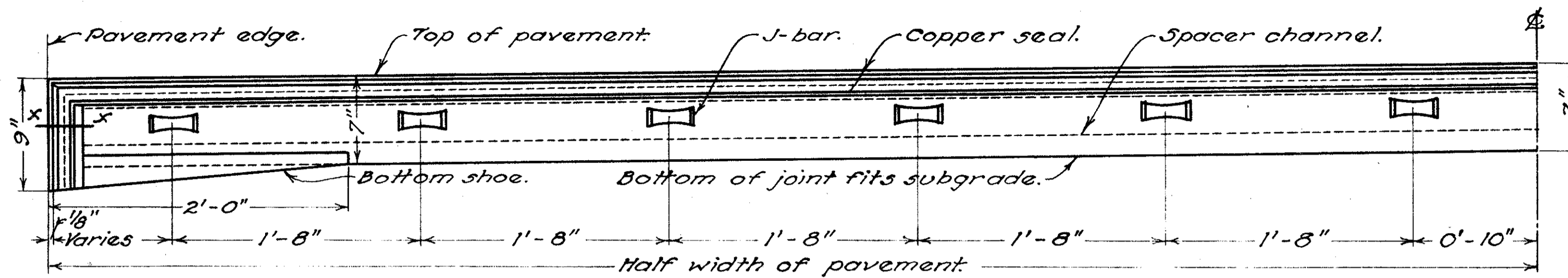
# TRANSVERSE JOINTS

FED. RD. DIST. NO.	STATE	FED. AID PROJECT	FISCAL YEAR	2-D
10	OHIO	4 (3)	1938	31

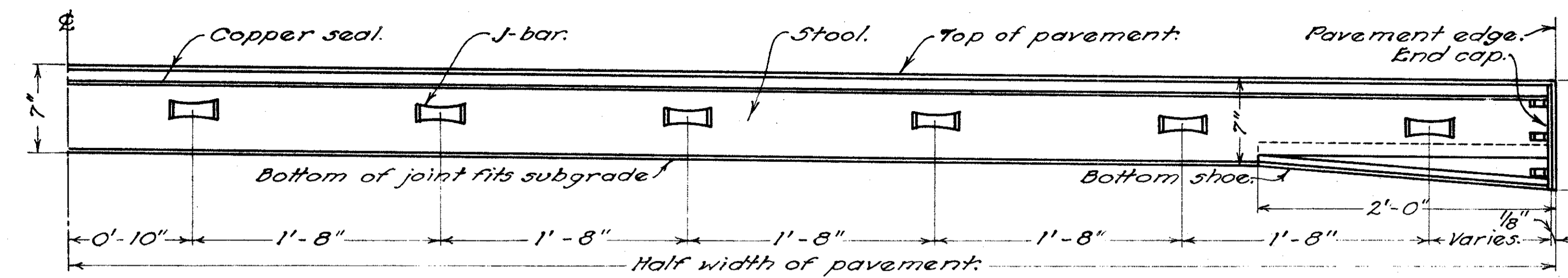
## EXPANSION JOINT

## CONSTRUCTION JOINT

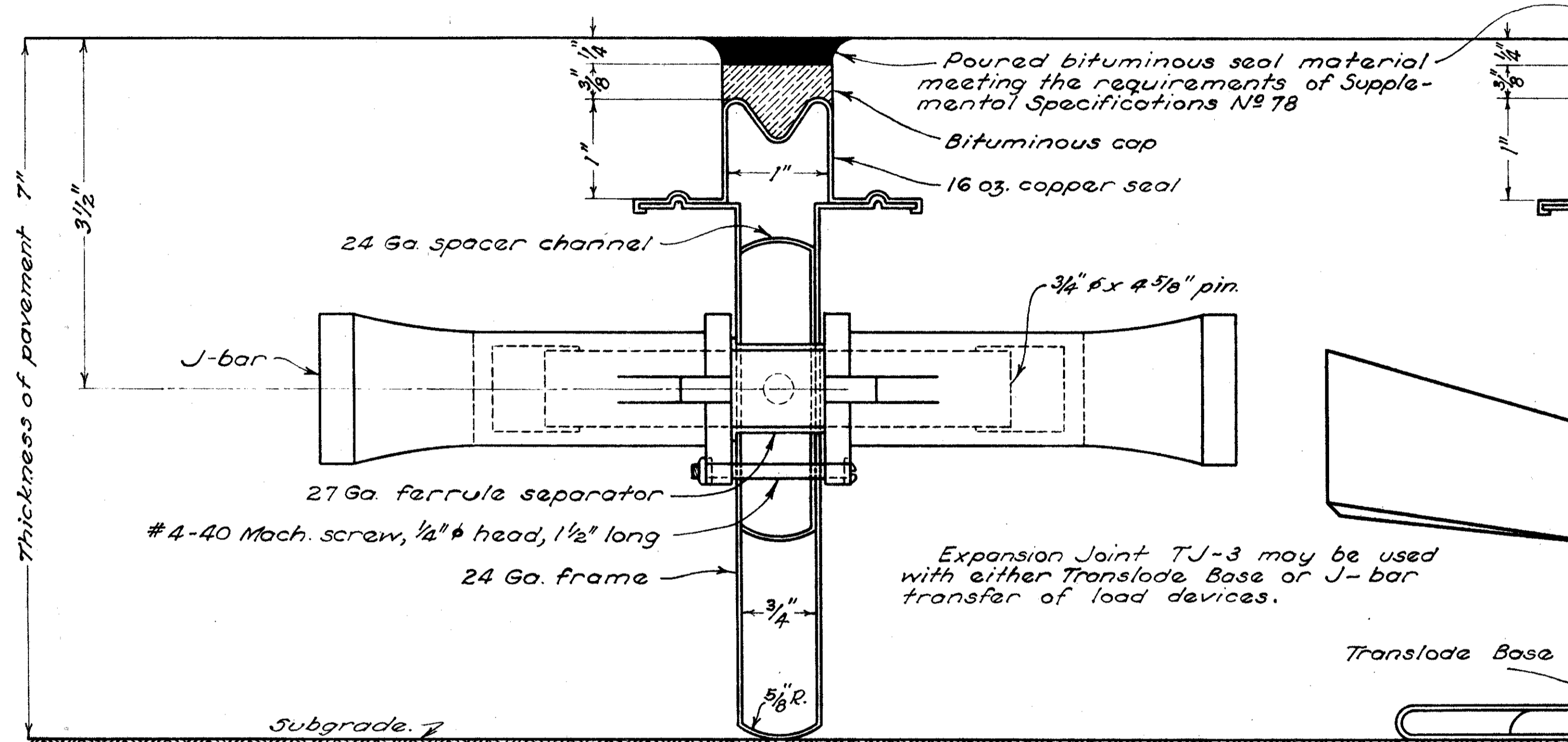
LAKE COUNTY  
S.H. 2 SEC. J (PT.)



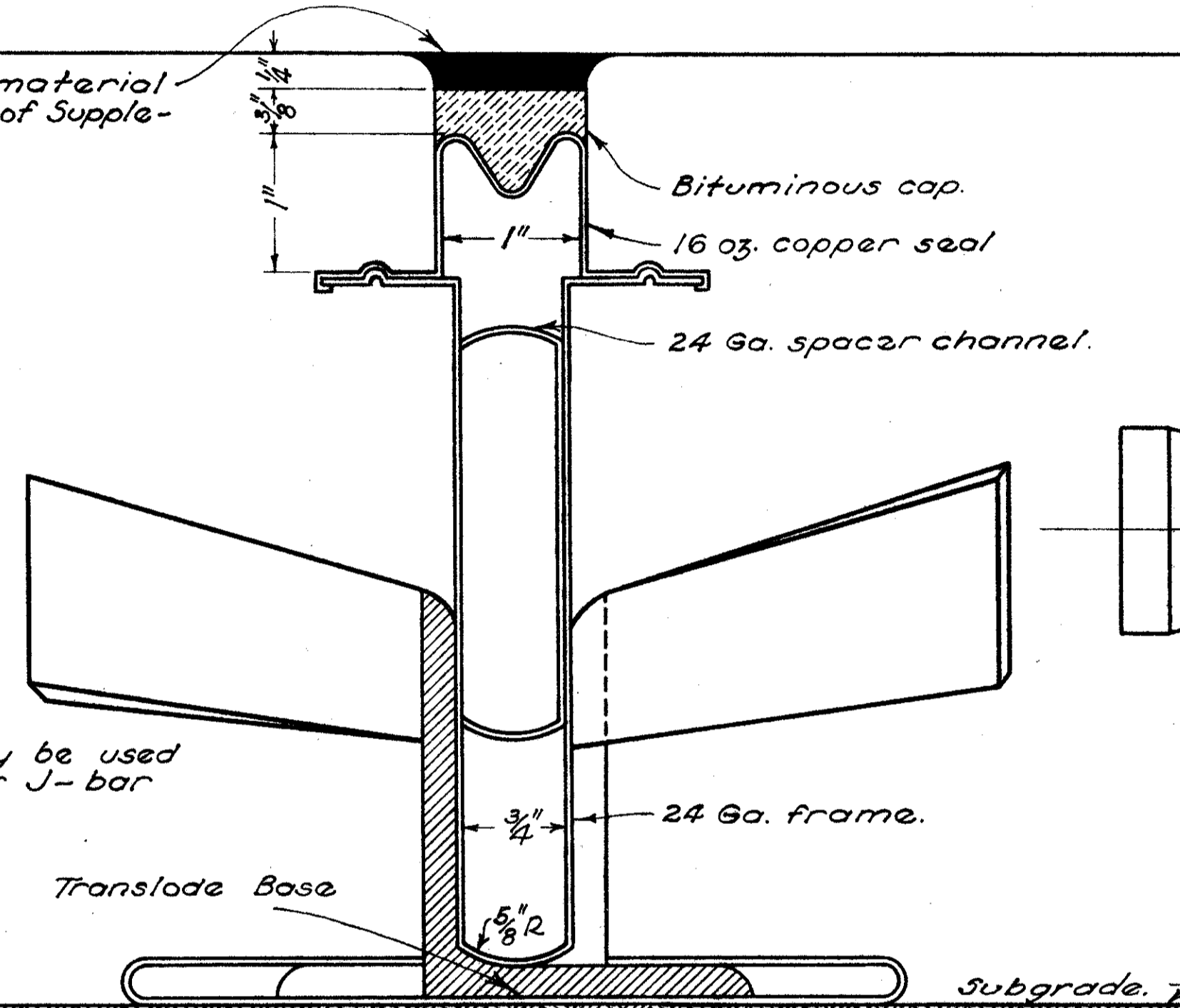
ELEVATION OF JOINT



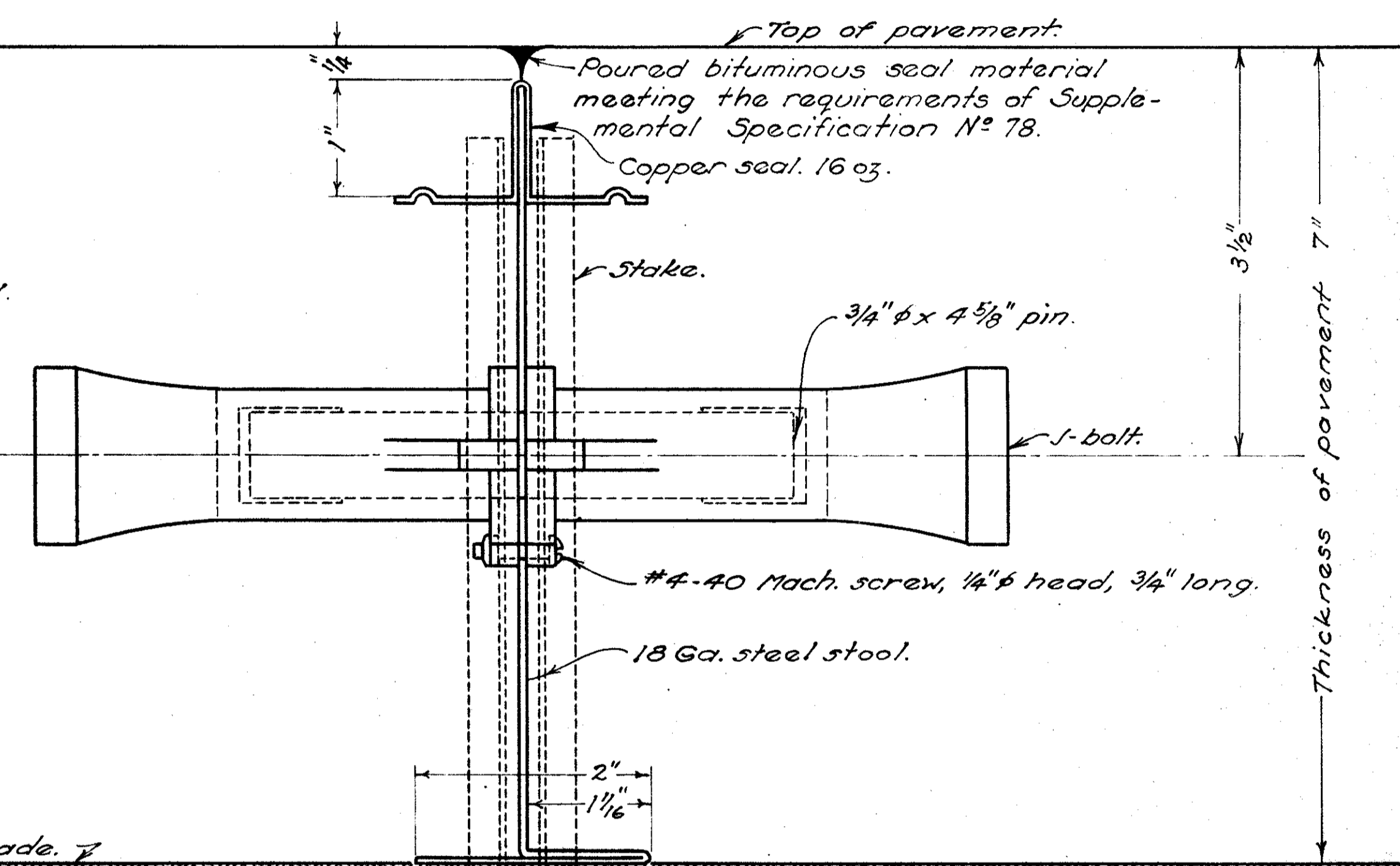
ELEVATION OF JOINT



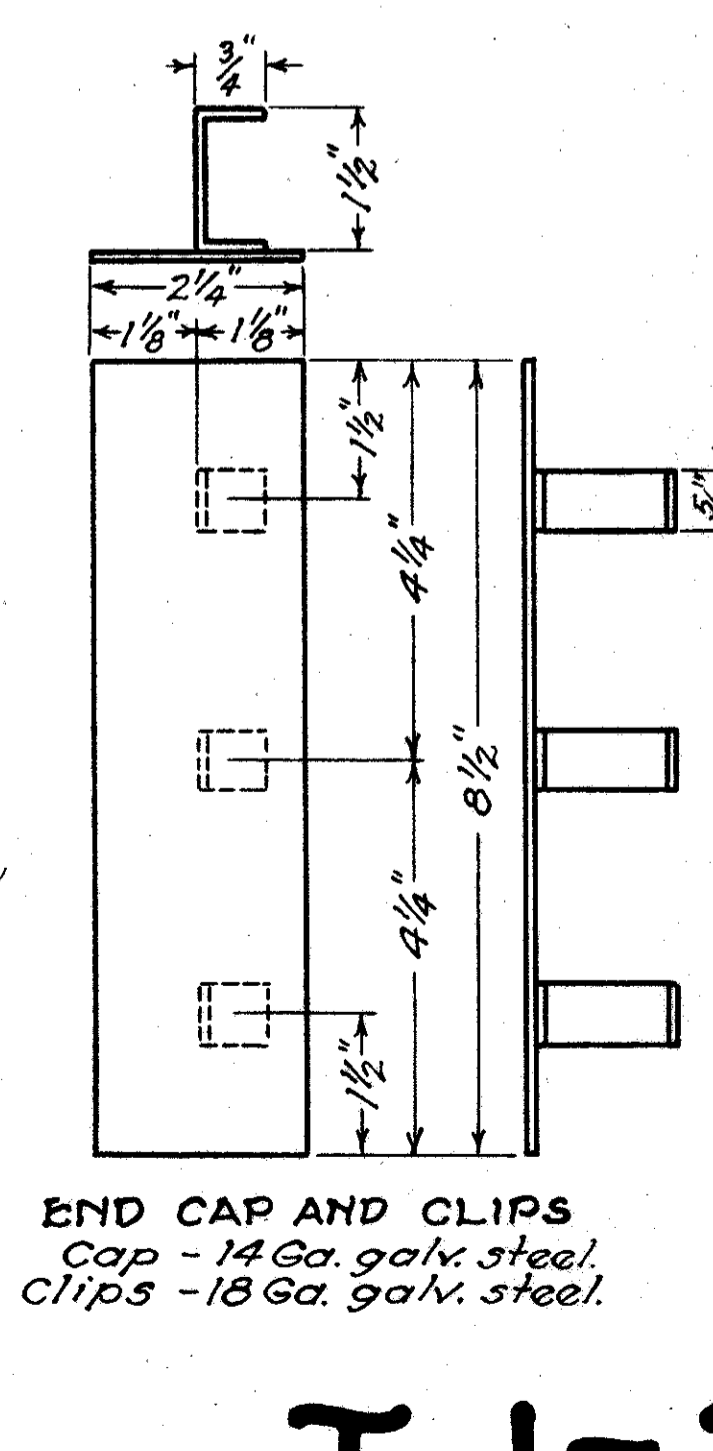
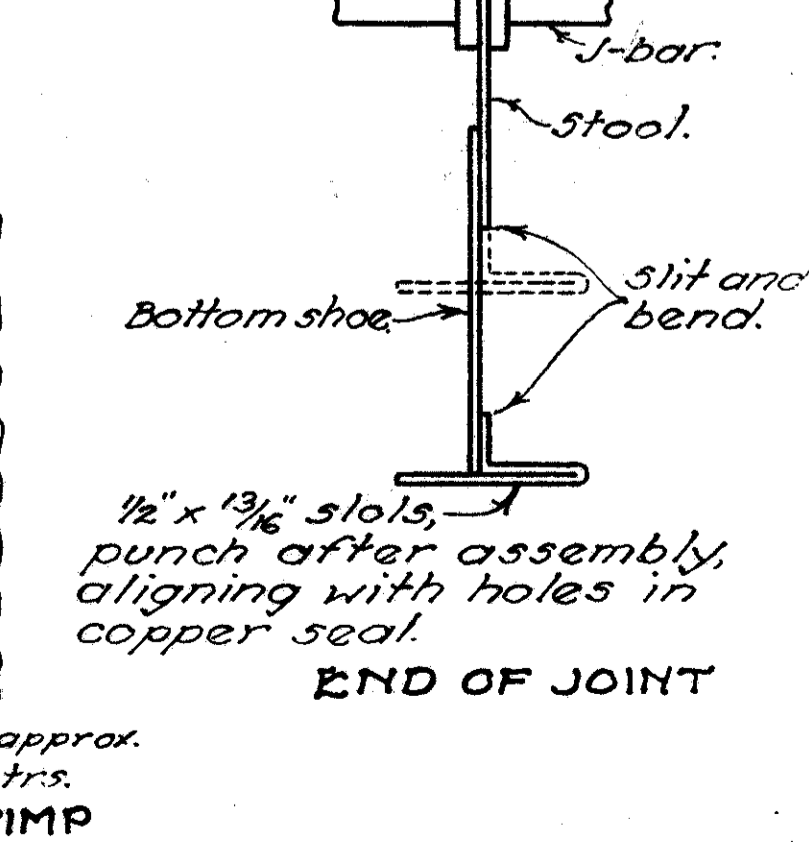
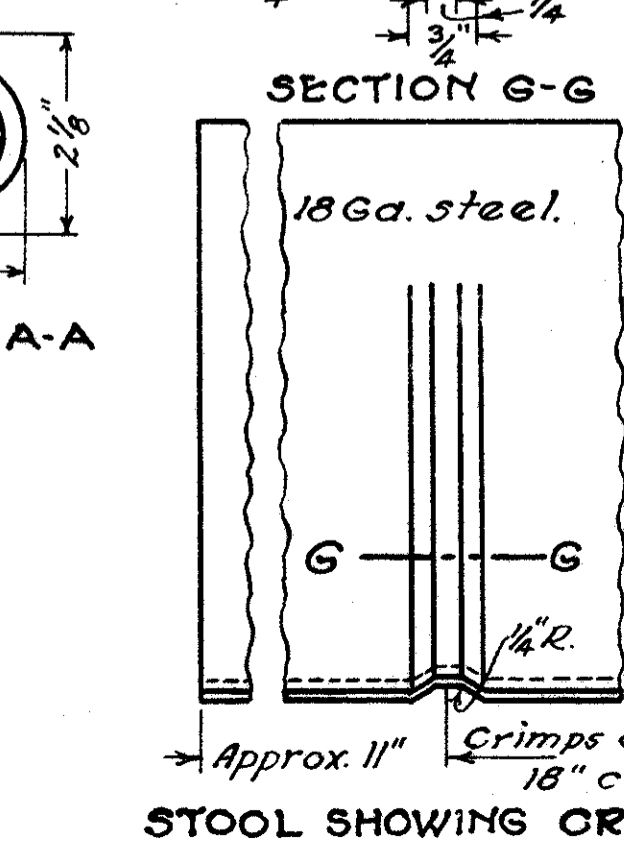
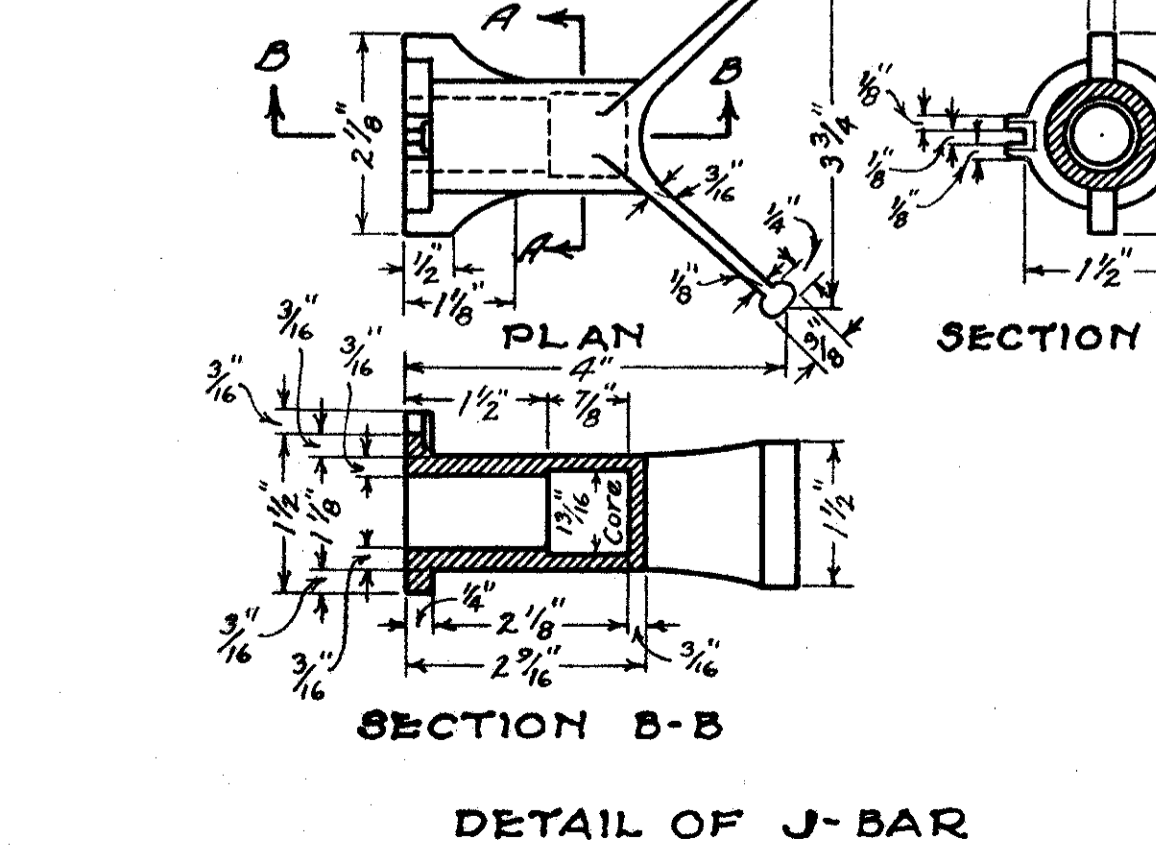
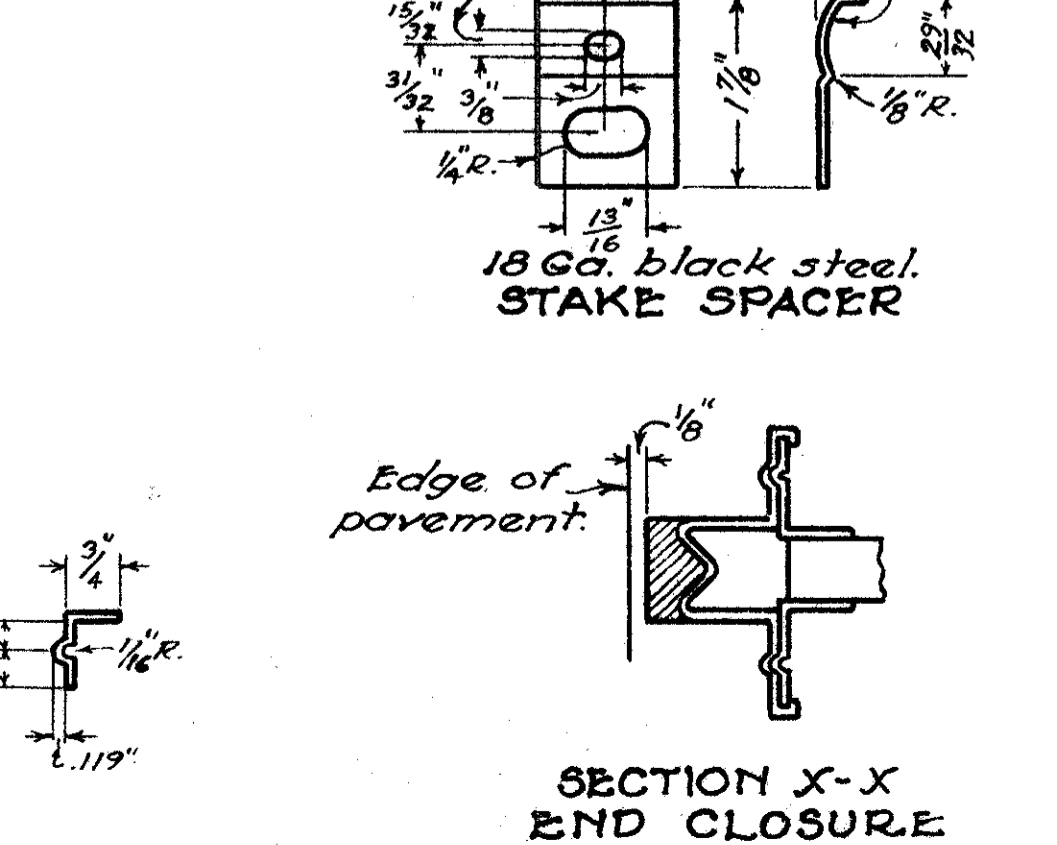
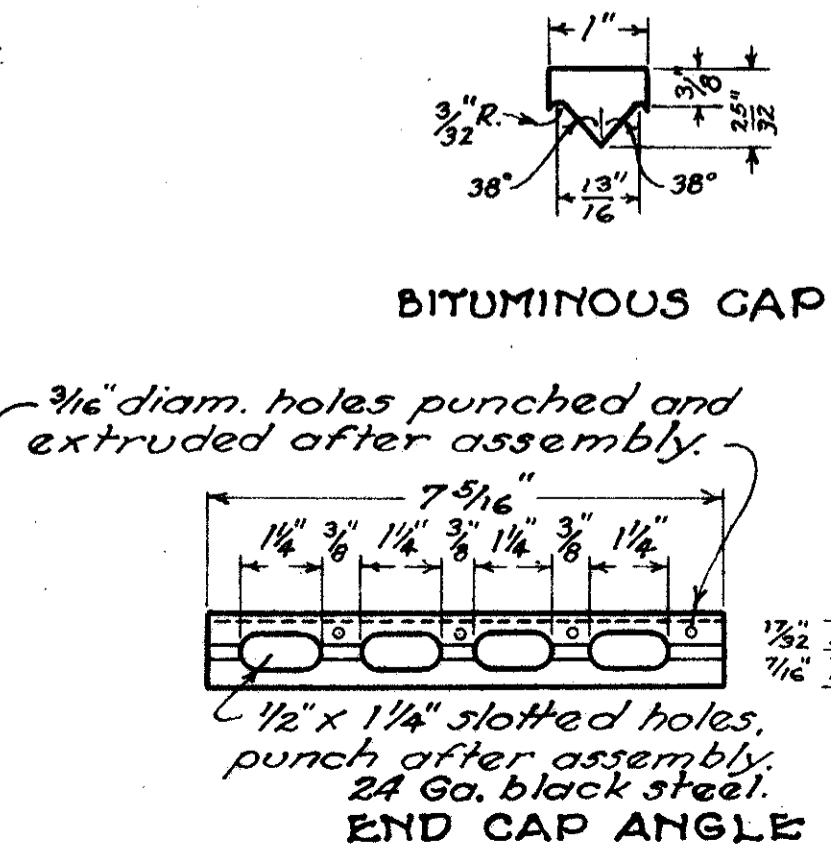
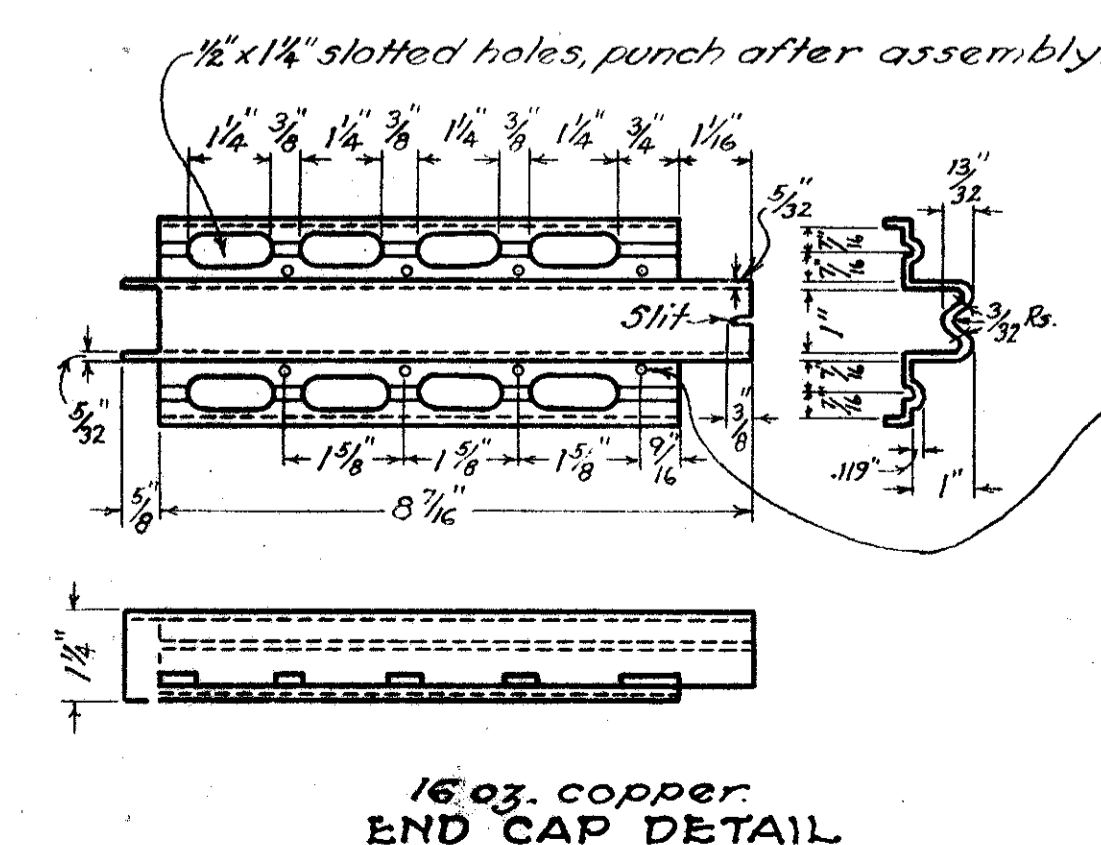
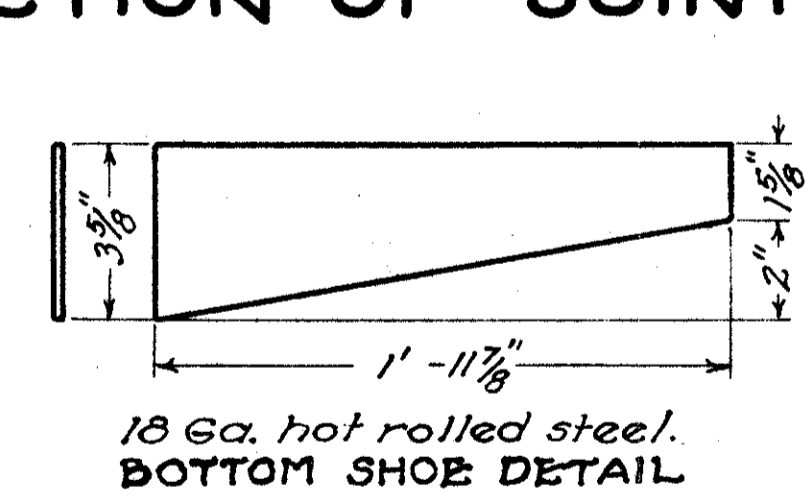
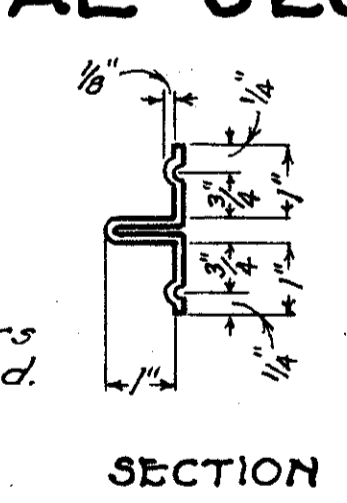
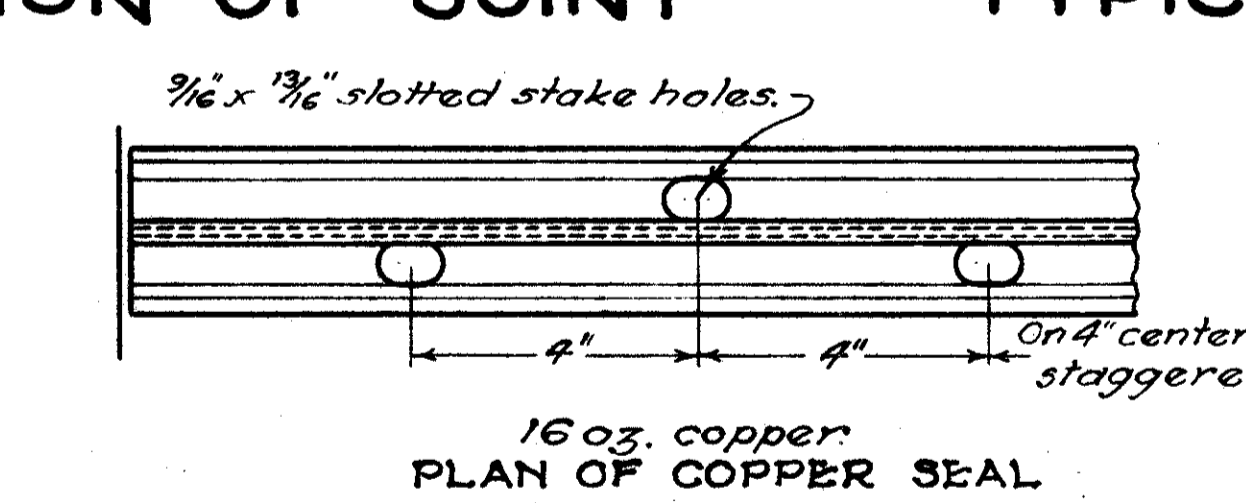
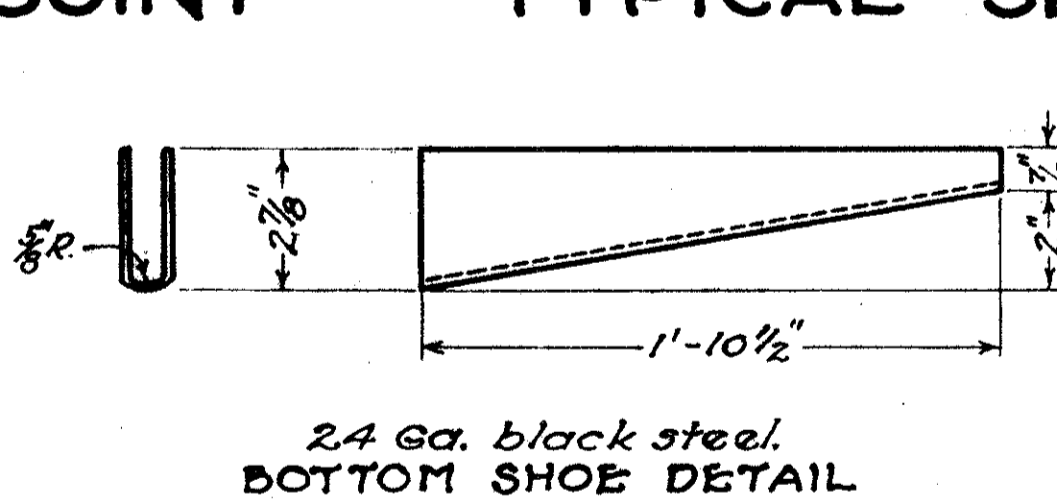
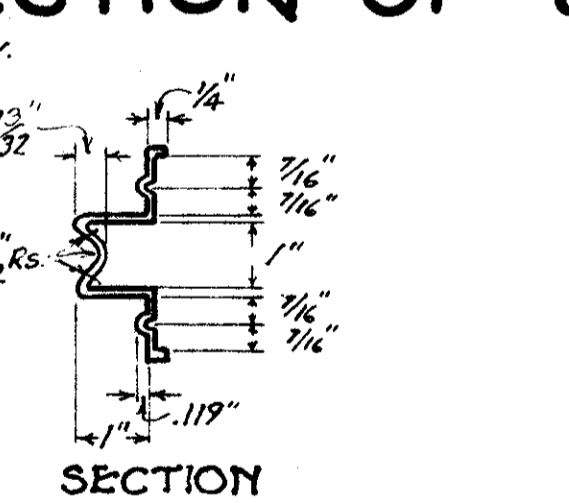
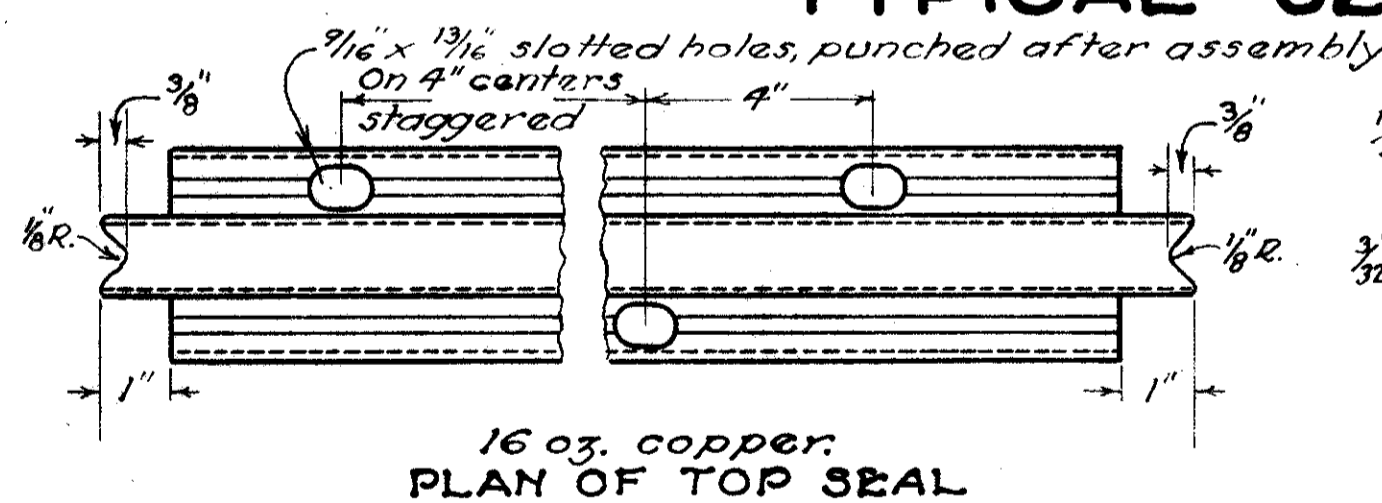
TYPICAL SECTION OF JOINT



TYPICAL SECTION OF JOINT



TYPICAL SECTION OF JOINT



TJ-3