

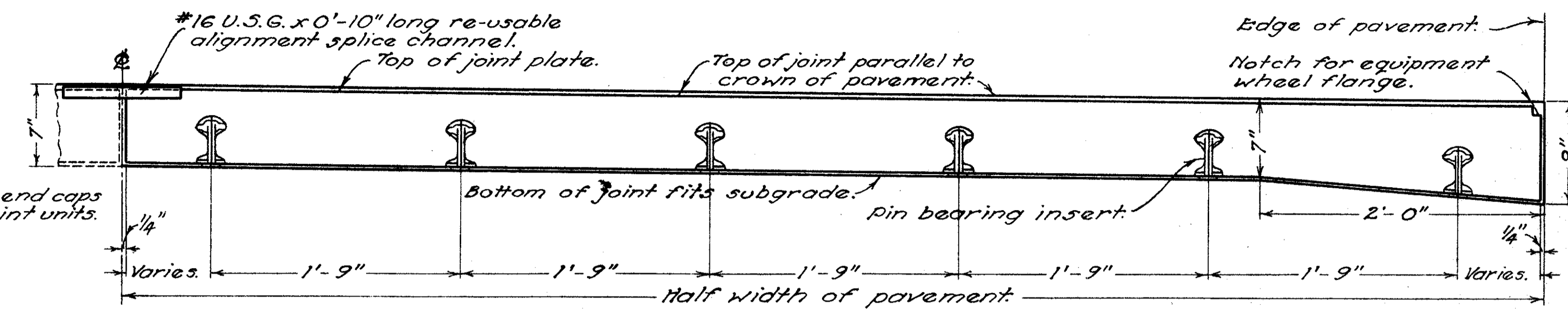
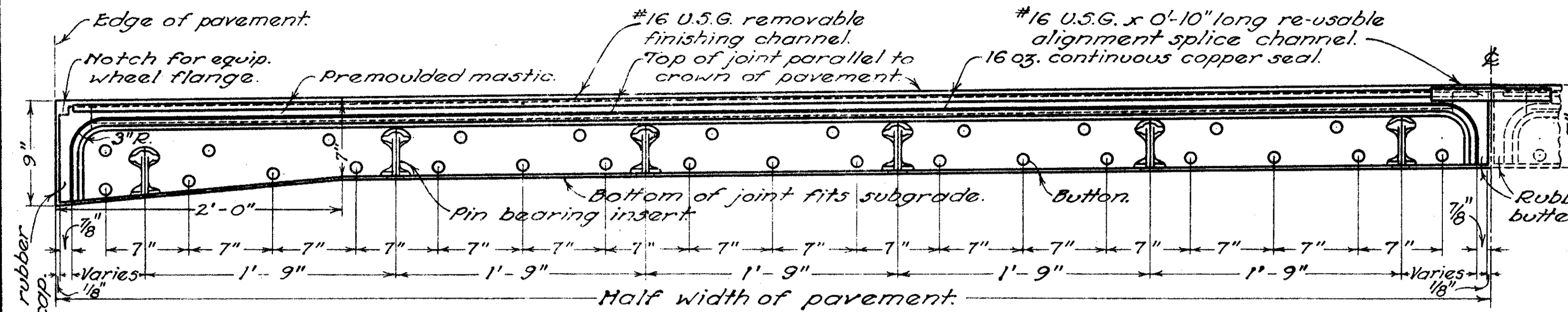
# TRANSVERSE JOINTS

FED. RD. DIST. NO.	STATE	FED. AID PROJECT	FISCAL YEAR	2-C 31
10	OHIO	4 (3)	1938	

## EXPANSION JOINT

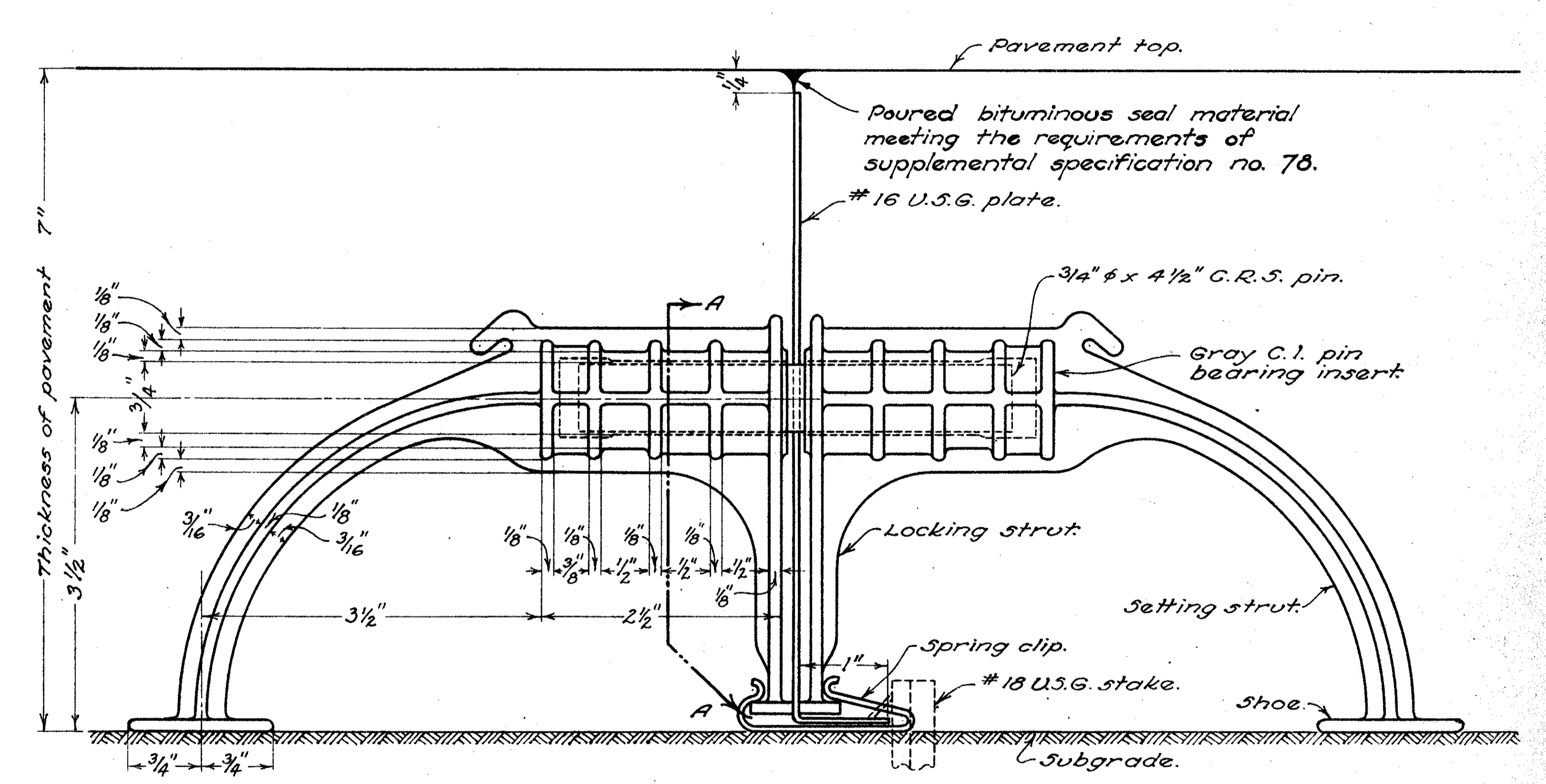
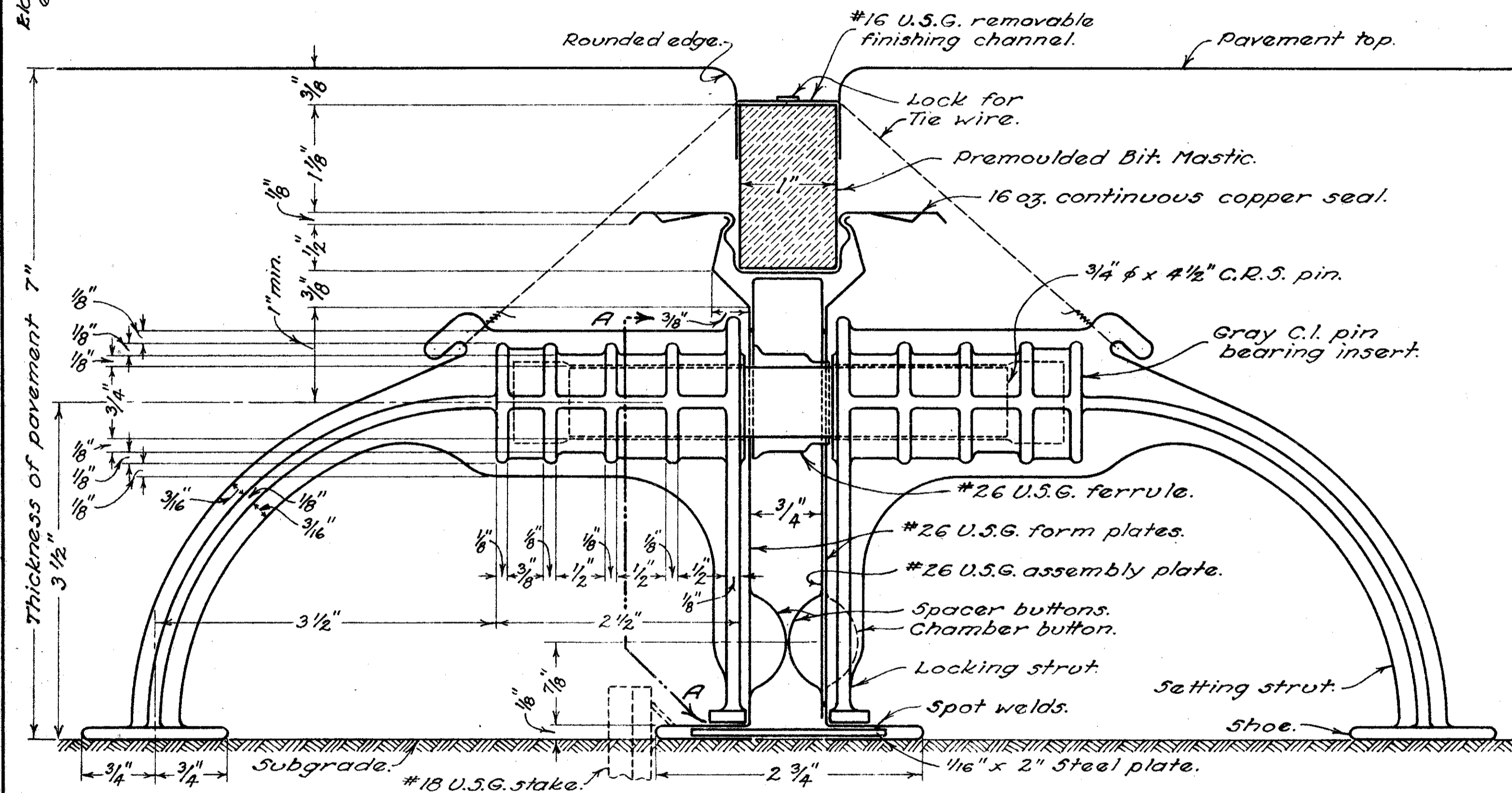
## CONSTRUCTION JOINT

LAKE COUNTY  
S.H.2 SEC. J(P.T.)



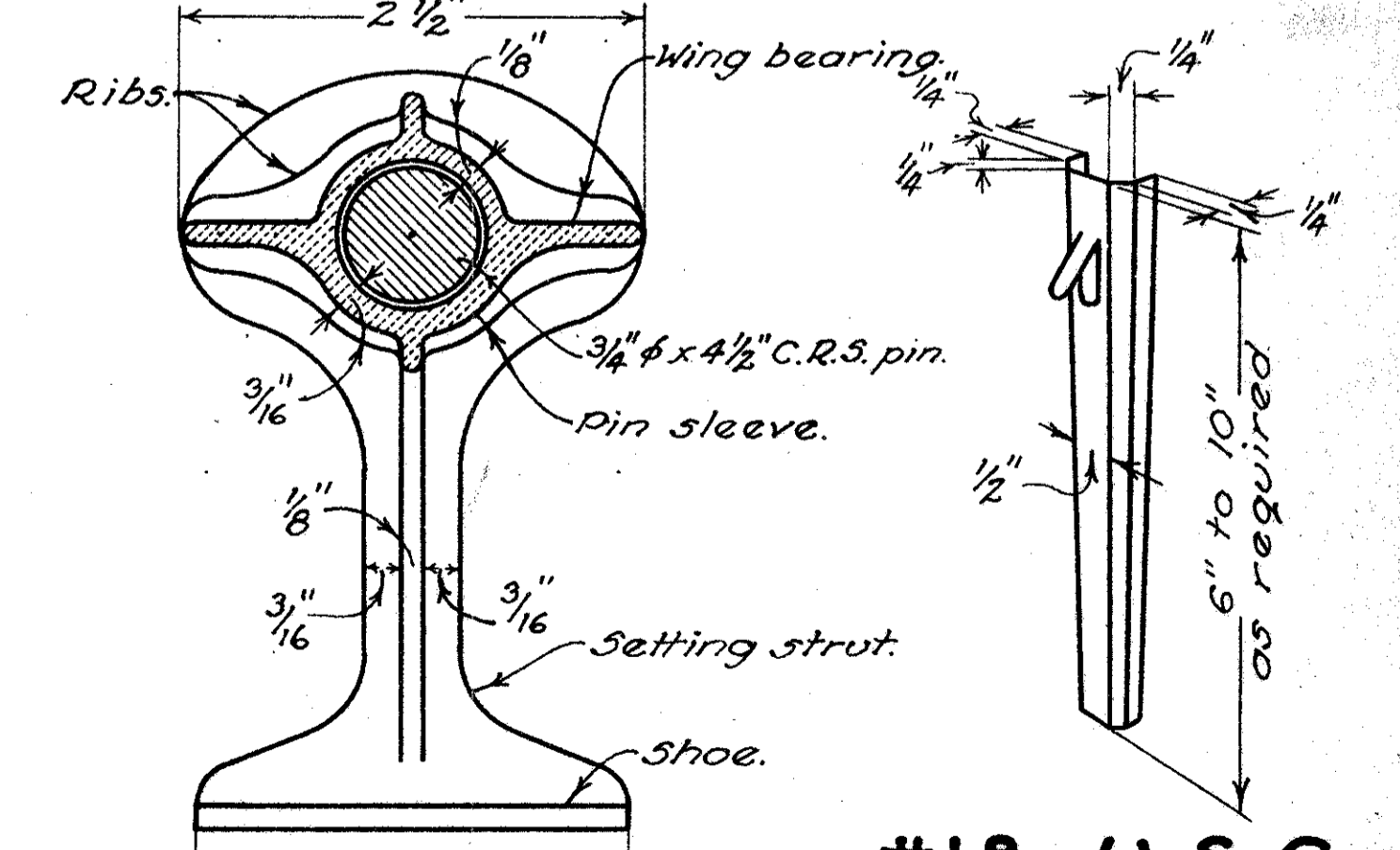
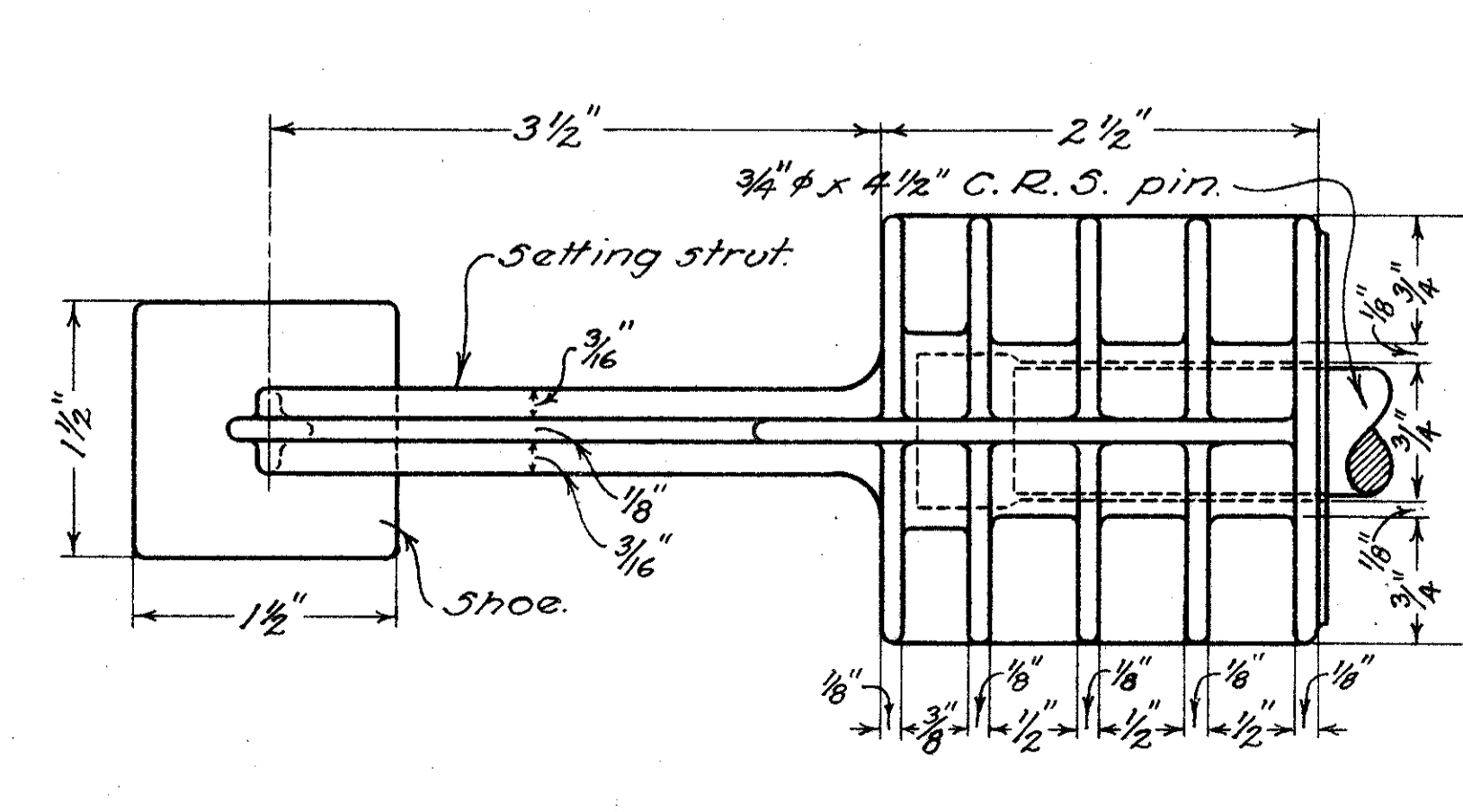
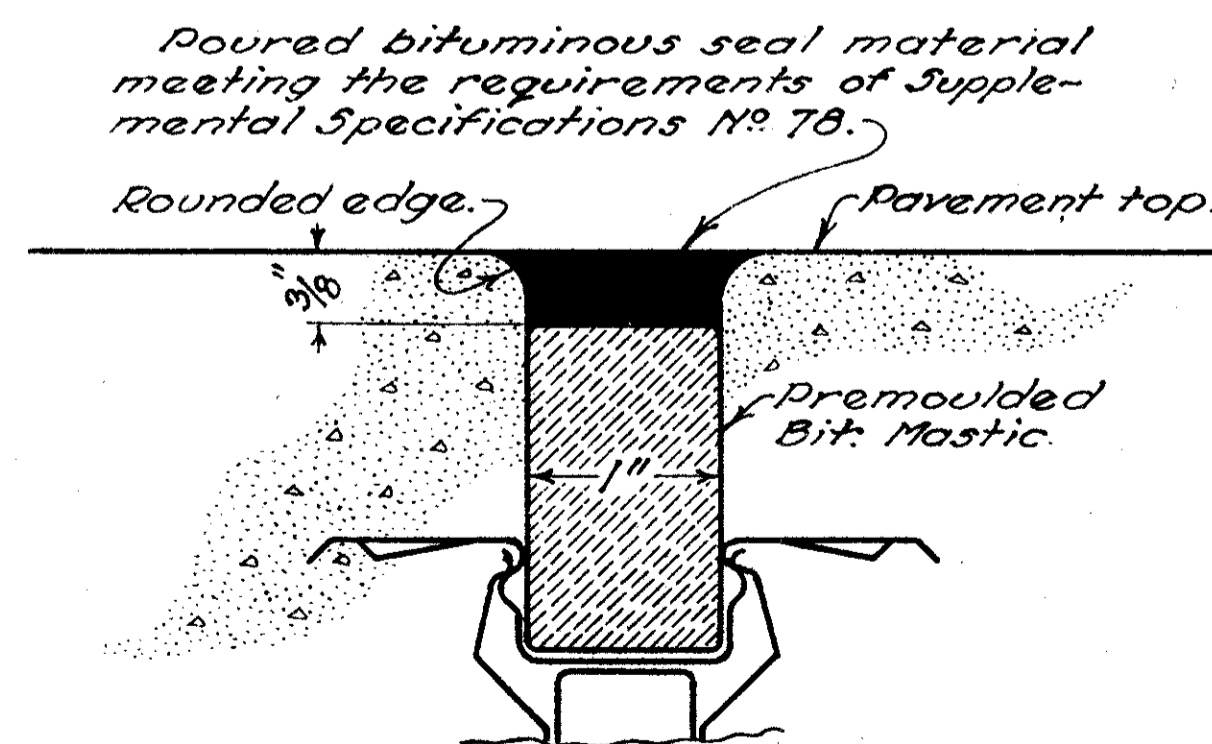
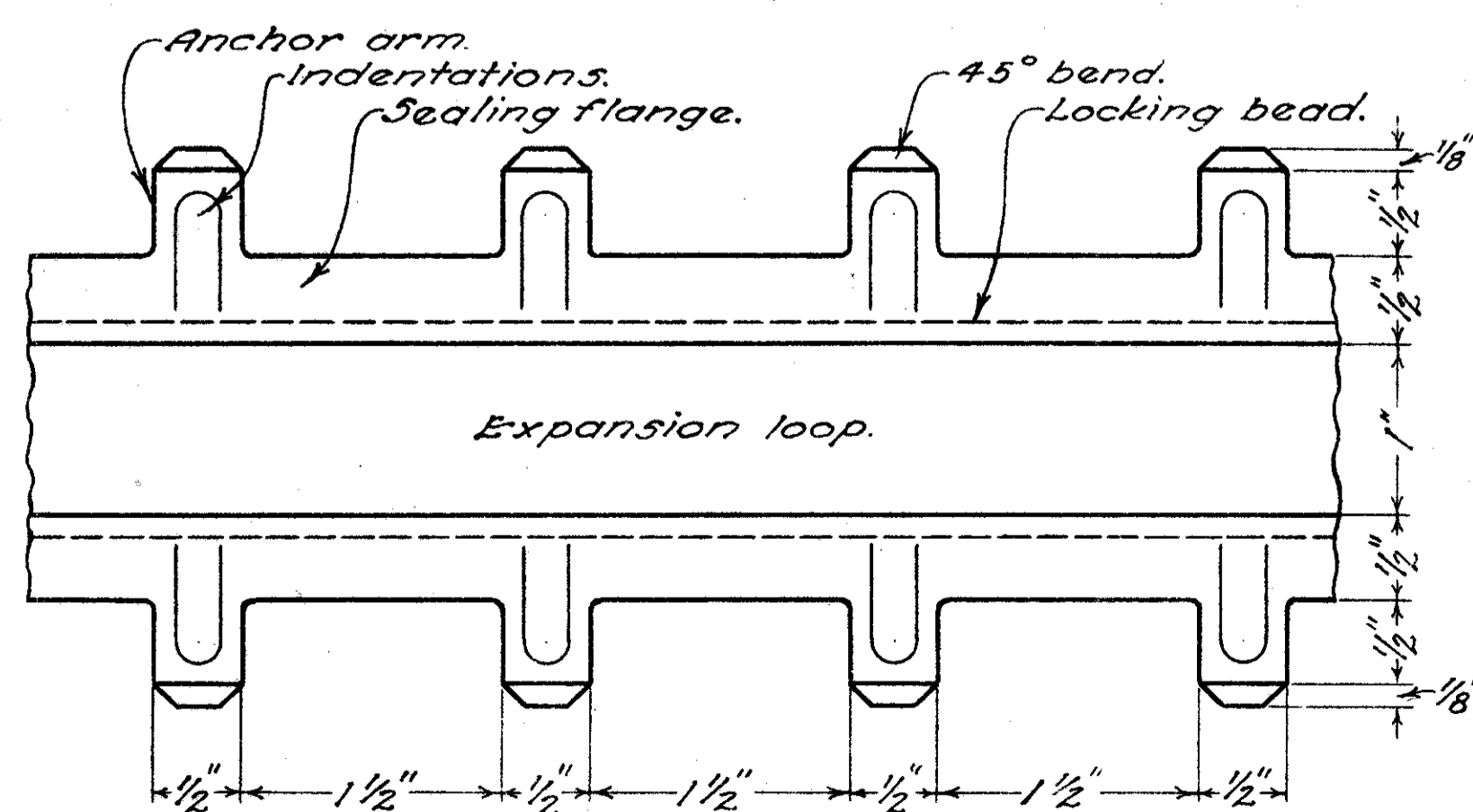
ELEVATION OF JOINT

ELEVATION OF JOINT



TYPICAL SECTION OF JOINT

TYPICAL SECTION OF JOINT



PLAN  
16 OZ. COPPER SEAL

SECTION  
POURED BITUMINOUS SEAL

PLAN  
GRAY CAST IRON PIN BEARING INSERT

SECTION A-A  
#18 U.S.G. STAKE  
TJ-2