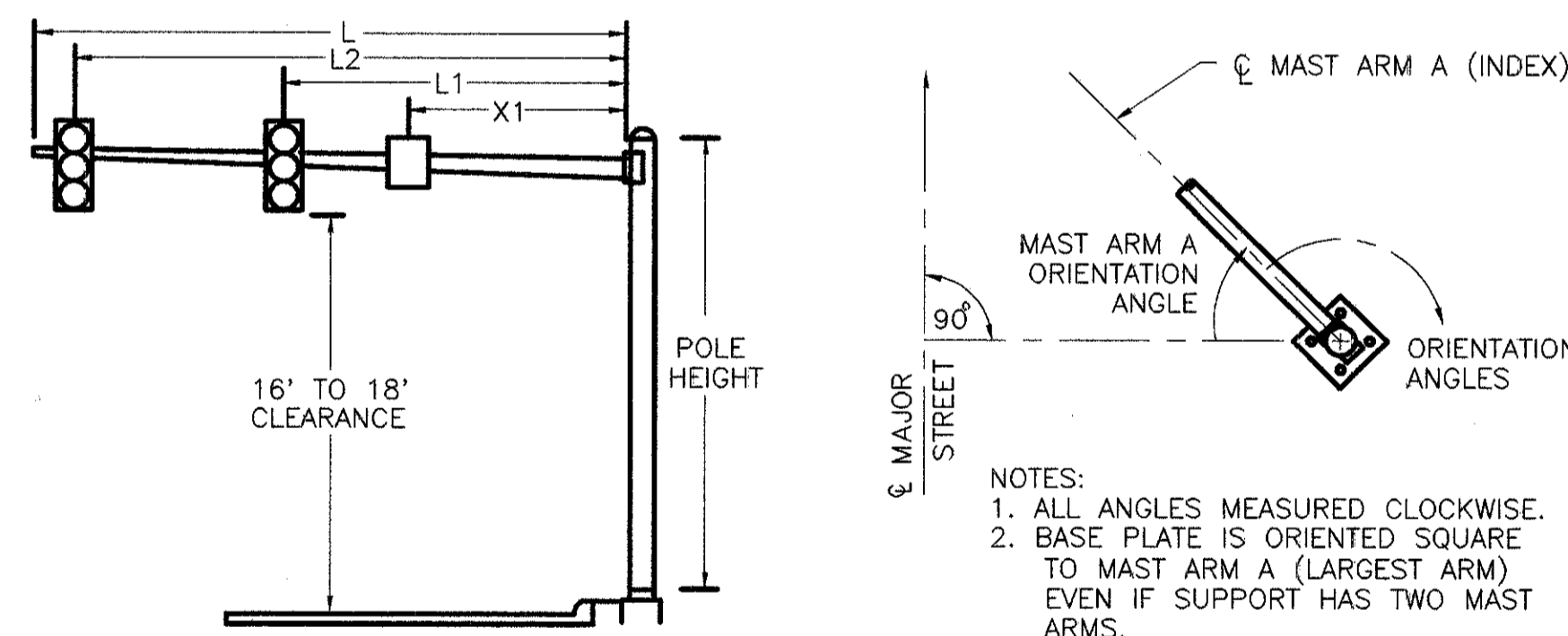


WIRING DIAGRAM

SIGNAL HEAD	ø2		ø4		FLASH
	R/W	CLEAR	R/W	CLEAR	
A	G	Y	R	R	Y
B	G	Y	R	R	Y
C	G	Y	R	R	Y
D	G	Y	R	R	Y
E	R	R	G	Y	R
F	R	R	G	Y	R
G	R	R	G	Y	R
H	R	R	G	Y	R
S-S	DW	DW	DW	DW	DARK
T-T	W	FDW	DW	DW	DARK

SIGNAL DISPLAY CHART



NOTES:
1. ALL ANGLES MEASURED CLOCKWISE.
2. BASE PLATE IS ORIENTED SQUARE TO MAST ARM A (LARGEST ARM) EVEN IF SUPPORT HAS TWO MAST ARMS.

FUNCTION	ø2	ø4
MINIMUM GREEN	15	8
PED WALK	7	7
PED CLEARANCE	8	13
GREEN EXTENSION	3.0	3.0
MAXIMUM GREEN	60	21
YELLOW CLEARANCE	3.6	3.6
ALL RED CLEARANCE	1.0	1.2
RECALL	NONE	NONE

SIGNAL TIMING

SUPPORT NO.	SIGNAL SUPPORT		FOUNDATION					ORIENTATION ANGLES (DEG.) FROM MAST ARM "A"										
	TC-81.20	TC-12.30	STATION	OFFSET	L	L 1	L 2	L 3	X 1	MAST ARM A ANGLE (DEG.)	MAST ARM B	PEDESTRIAN SIGNALS	PEDESTRIAN PUSH BUTTONS	POWER SERVICE	CONTROLLER	LUMINAIRE BRACKET	HANDHOLE	CABLE ENTRANCE (12" FROM TOP)
P1	12	11	395+08	32'L	41	30	40			270	0	90	0				180	
P2		2	395+58	42'L	29	18	28			90	0	0	0				180	
P3	4	3	395+56	34'R	33	22	32			270							180	
P4		2	395+08	35'R	29	15	28			90							180	

ORIENTATION ANGLE CHART

LOOP #	SIZE	# TURNS	MODE	DELAY	UNIT #	PHASE
L1	6' x 30'	2	PRESENCE	8	1	4
L2	6' x 30'	2	PRESENCE	8	2	2
L3	6' x 30'	2	PRESENCE	8	3	4
L4	6' x 30'	2-4-2	PRESENCE	8	4	2
L5	6' x 30'	2-4-2	PRESENCE	0	5	2

LOOP DETECTOR CHART

ITEM	TOTAL	UNIT	DESCRIPTION
625	5	EACH	GROUND ROD
625	6	EACH	PULLBOX, <i>Misc!</i> AS PER PLAN
625	146	LIN FT	CONDUIT, 2", 713.04
625	10	LIN FT	CONDUIT, 3", 713.04
625	160	LIN FT	CONDUIT, JACKED OR DRILLED UNDER PAVEMENT, 3"
625	156	LIN FT	TRENCH
632	8	EACH	VEHICULAR SIGNAL HEAD, 3 SECT., 12" LENS, 1-WAY, AS PER PLAN
632	4	EACH	PEDESTRIAN SIGNAL HEAD, TYPE <i>D2</i>
632	4	EACH	PEDESTRIAN PUSHBUTTON
632	1	EACH	LOOP DETECTOR UNIT, AS PER PLAN
632	4	EACH	LOOP DETECTOR UNIT, DELAY AND EXTENSION TYPE, AS PER PLAN
632	6.36	CU YD	CONCRETE FOR ANCHOR BASE FOUNDATION
632	1	EACH	SIGNAL SUPPORT, TYPE TC-81.20, DES. 4 WITH MAST ARMS
			TYPE TC-81.20, DES. 3, 33' AND TYPE TC-81.20, DES. 2, 29'
632	1	EACH	SIGNAL SUPPORT, TYPE TC-81.20, DES. 12 WITH MAST ARMS
			TYPE TC-81.20, DES. 11, 41' AND TYPE TC-81.20, DES. 2, 29'
632	2	EACH	PEDESTAL, 8", TRANSFORMER BASE
632	2	EACH	CABLE SUPPORT ASSEMBLY
632	486	LIN FT	LOOP DETECTOR PAVEMENT CUTTING
632	934	LIN FT	SIGNAL CABLE, 7 CONDUCTOR, NO. 14 AWG
632	79	LIN FT	SIGNAL CABLE, 9 CONDUCTOR, NO. 14 AWG
632	1	EACH	PHONE DROP
632	1186	LIN FT	LOOP DETECTOR WIRE, TYPE E
632	465	LIN FT	LOOP DETECTOR LEAD-IN CABLE
632	110	LIN FT	POWER CABLE, 3 CONDUCTOR, NO. 8 AWG
632	1	EACH	CONDUIT RISER, 1 1/2"
632	8	EACH	COVERING OF VEHICULAR SIGNAL HEAD
632	1	EACH	REMOVAL OF TRAFFIC SIGNAL INSTALLATION, AS PER PLAN
633	8.33	SQ FT	CONTROLLER WORK PAD
633	0.99	CU YD	CONCRETE FOR CABINET FOUNDATION
633	1	EACH	CONTROLLER, ACTUATED, 4 PHASE, SOLID STATE DIGITAL MICROPROCESSOR, AS PER PLAN