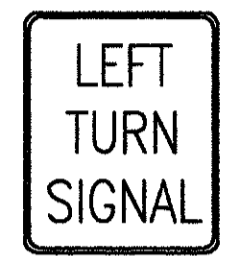


<div style="border: 1px solid black; padding: 2px; width: 50px; height: 50px; margin: 0 auto;"> TO CROSS VINE STREET PUSH BUTTON WAIT FOR WALK SIGNAL </div> <p>R-73A-9 QTY. = 2</p>	<div style="border: 1px solid black; padding: 2px; width: 50px; height: 50px; margin: 0 auto;"> TO CROSS SR 2 RAMP PUSH BUTTON WAIT FOR WALK SIGNAL </div> <p>R-73A-9 QTY. = 2</p>	<div style="border: 1px solid black; padding: 2px; width: 50px; height: 50px; margin: 0 auto;"> TO CROSS LAKELAND BLVD PUSH BUTTON WAIT FOR WALK SIGNAL </div> <p>R-73A-9 QTY. = 2</p>
--	--	--

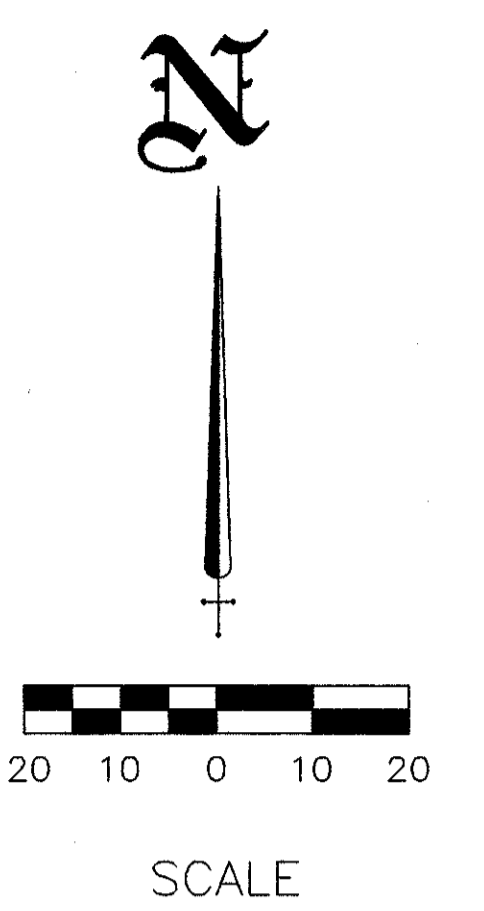
PED SIGNS



R-25EL
24" x 30"

PROPOSED SIGN

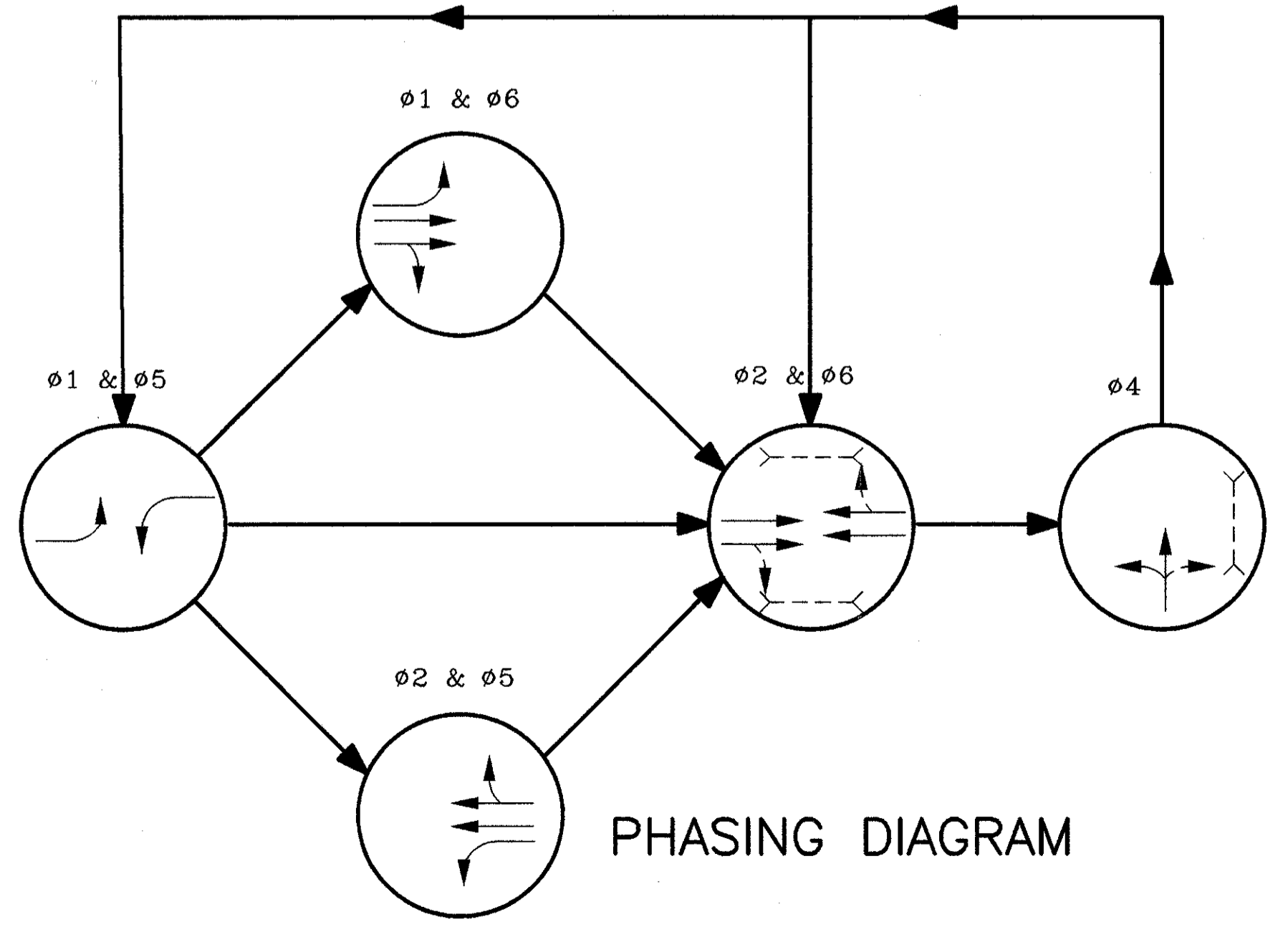
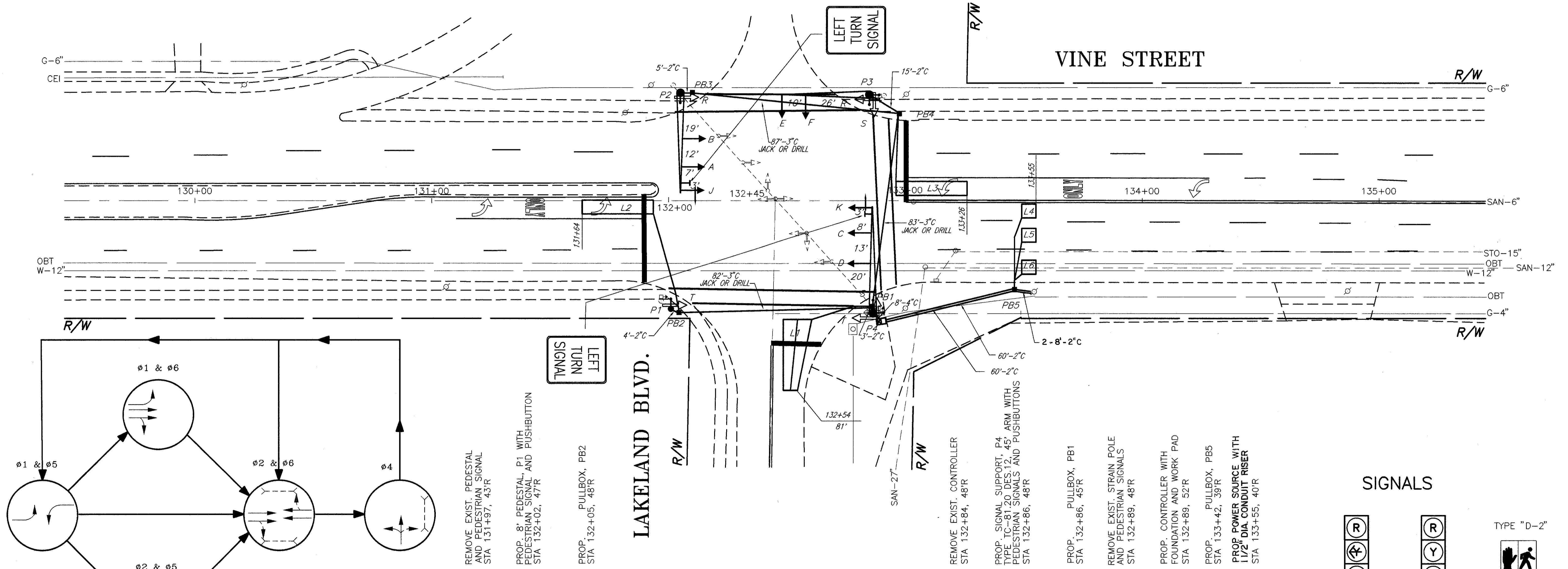
THE UNDERGROUND UTILITIES ARE SHOWN ACCORDING TO INFORMATION FURNISHED BY THE UTILITIES CONCERNED. THEIR ACCURACY IS NOT GUARANTEED, THEREFORE THEY SHOULD BE RECHECKED BEFORE UNDERGROUND CONSTRUCTION BEGINS.



S.R. 2 ENT. RAMP

VINE STREET

LAKELAND BLVD.



PHASING DIAGRAM

REMOVE EXIST. STRAIN POLE
STA 132+02, 49'L

PROP. SIGNAL SUPPORT, P2
TYPE TC-81.20 DES. 11, 42' ARM WITH
PEDESTRIAN SIGNAL AND PUSHBUTTON
STA 132+06, 46'L

PROP. PULLBOX, PB3
STA 132+11, 46'L

PROP. SIGNAL SUPPORT, P3
TYPE TC-81.20 DES. 4, 37' ARM WITH
PEDESTRIAN SIGNALS AND PUSHBUTTONS
STA 132+85, 45'L

REMOVE EXIST. PEDESTAL
AND PEDESTRIAN SIGNAL
STA 132+92, 44'L

PROP. PULLBOX, PB4
STA 132+97, 37'L

REMOVE EXIST. PEDESTAL
AND PEDESTRIAN SIGNAL
STA 131+97, 43'R

PROP. 8' PEDESTAL, P1 WITH
PEDESTRIAN SIGNAL AND PUSHBUTTON
STA 132+02, 47'R

PROP. PULLBOX, PB2
STA 132+05, 48'R

REMOVE EXIST. CONTROLLER
STA 132+84, 48'R

PROP. SIGNAL SUPPORT, P4
TYPE TC-81.20 DES. 12, 45' ARM WITH
PEDESTRIAN SIGNALS AND PUSHBUTTONS
STA 132+86, 48'R

PROP. PULLBOX, PB1
STA 132+86, 45'R

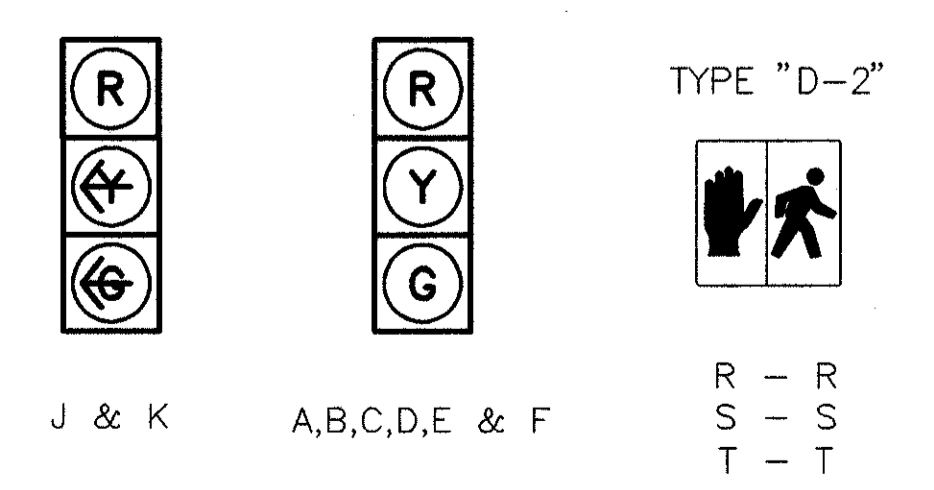
REMOVE EXIST. STRAIN POLE
AND PEDESTRIAN SIGNALS
STA 132+89, 48'R

PROP. CONTROLLER WITH
FOUNDATION AND WORK PAD
STA 132+89, 52'R

PROP. PULLBOX, PB5
STA 133+42, 39'R

PROP. POWER SOURCE WITH
1 1/2" DIA. CONDUIT RISER
STA 133+55, 40'R

SIGNALS



ALL HEADS ARE 12" POLY