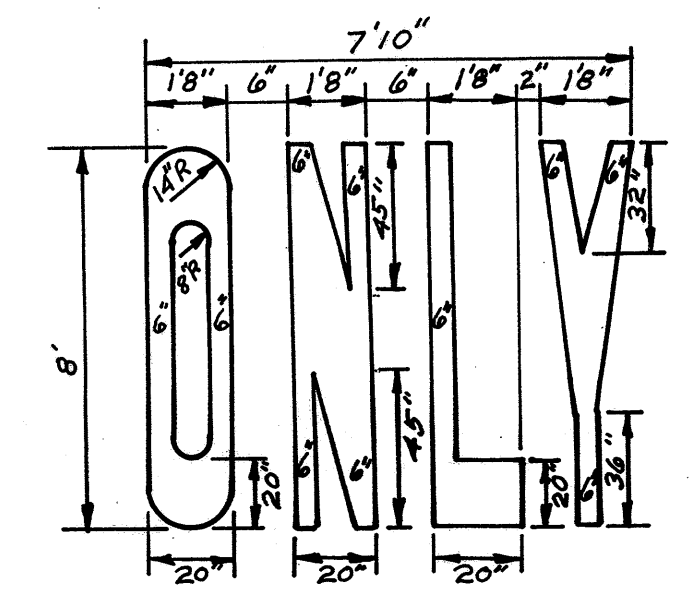
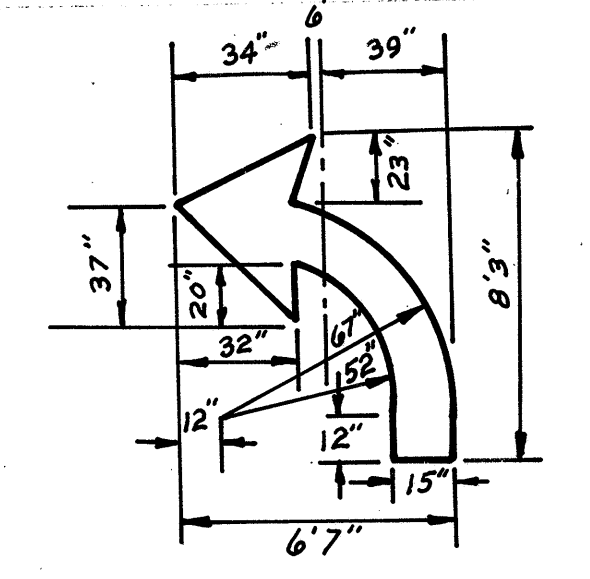


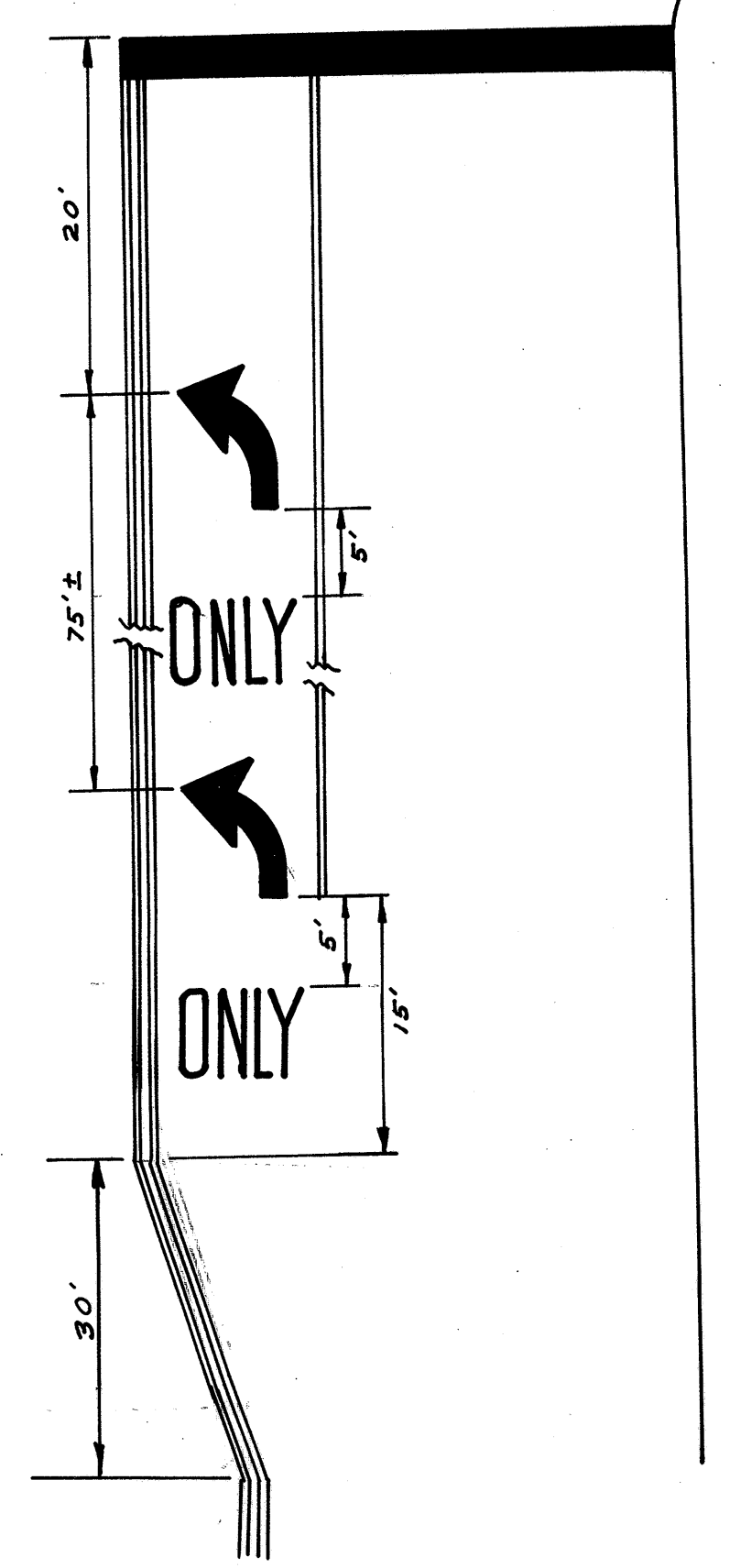
DETAIL OF THE WORD "ONLY"
NO SCALE



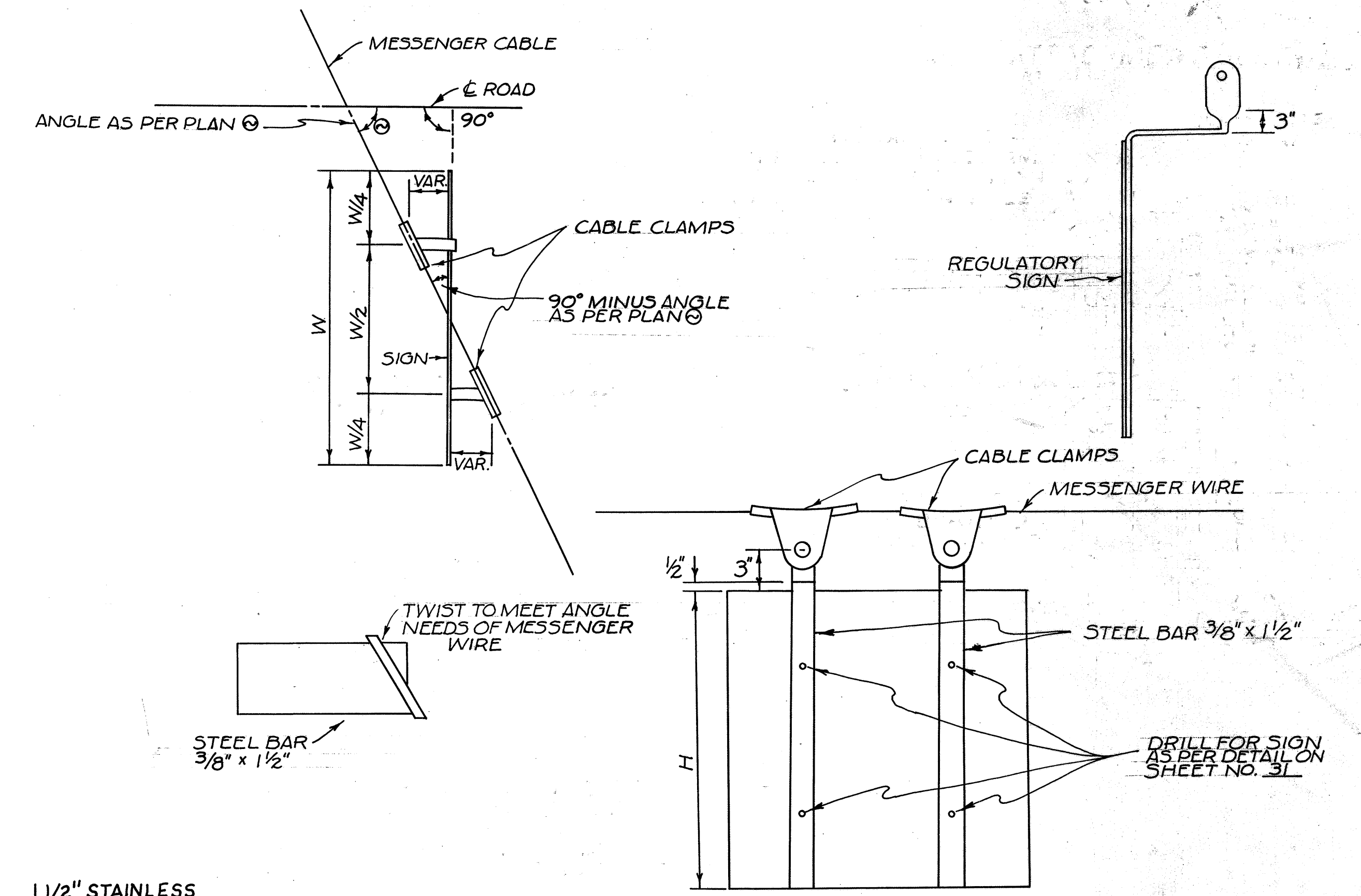
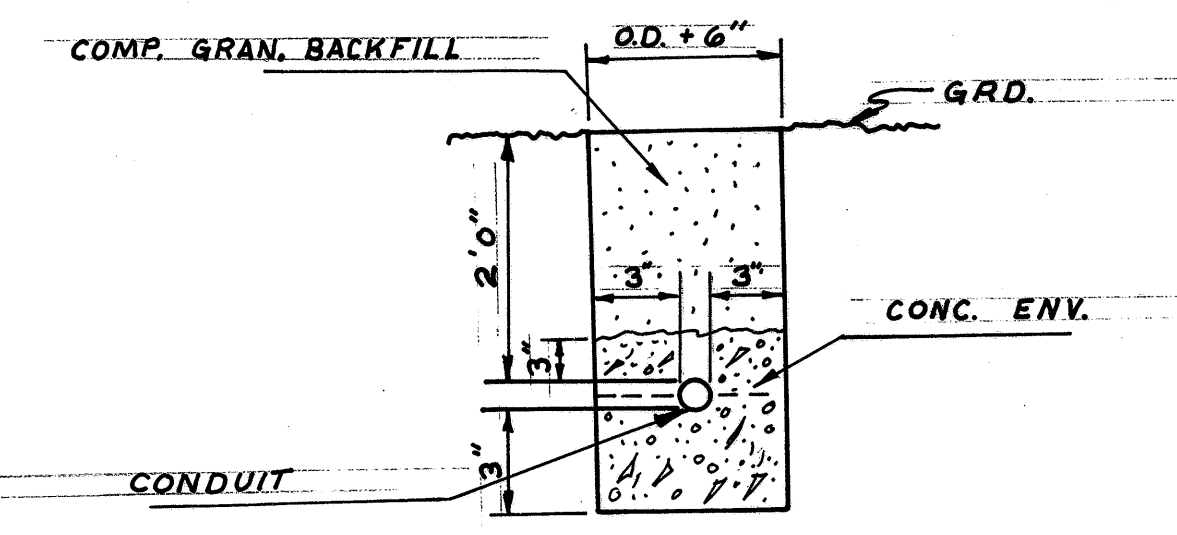
DETAIL OF TURN ARROW
NO SCALE



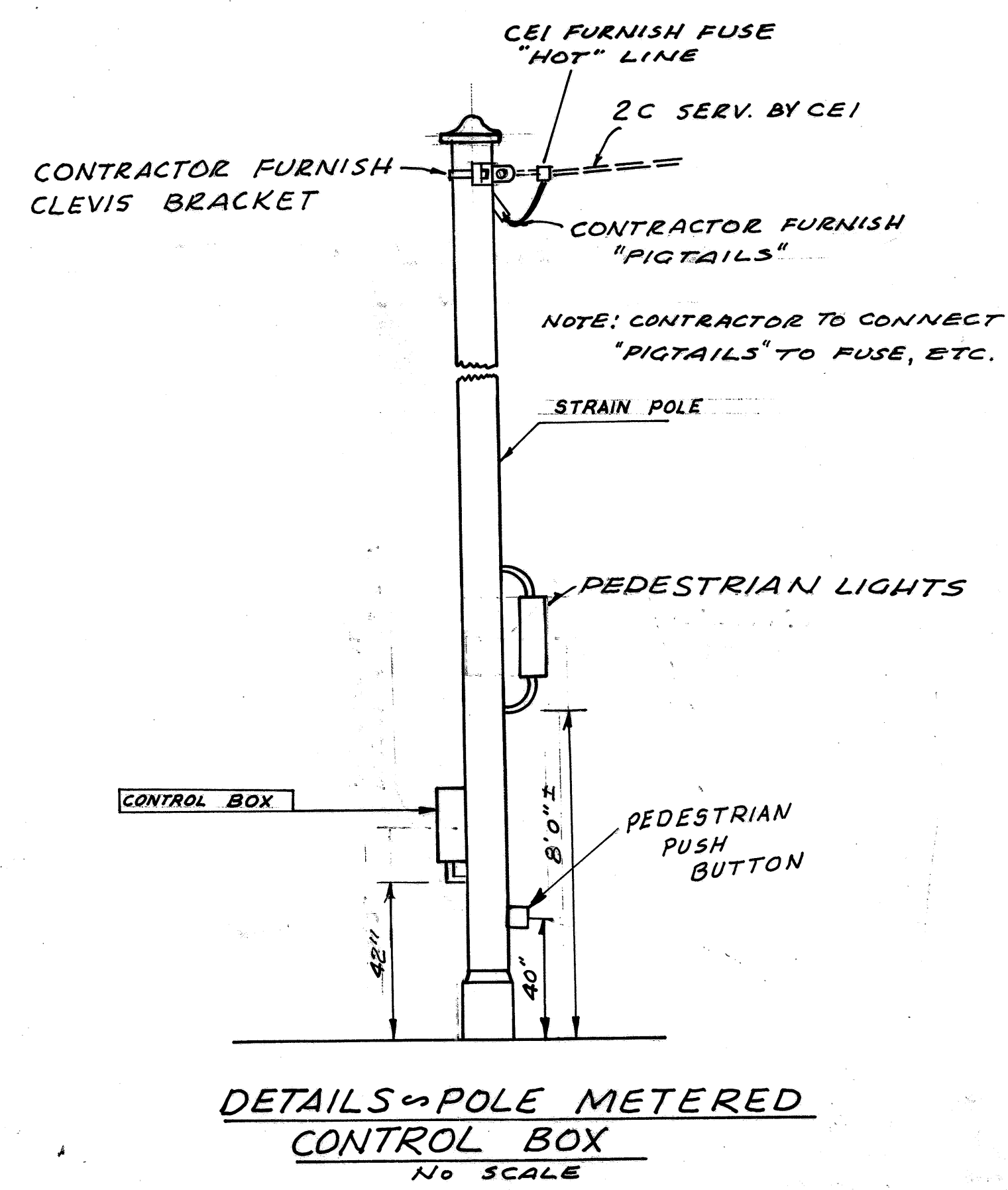
APPLICATION OF PAVEMENT ARROWS & THE WORD "ONLY"
NO SCALE



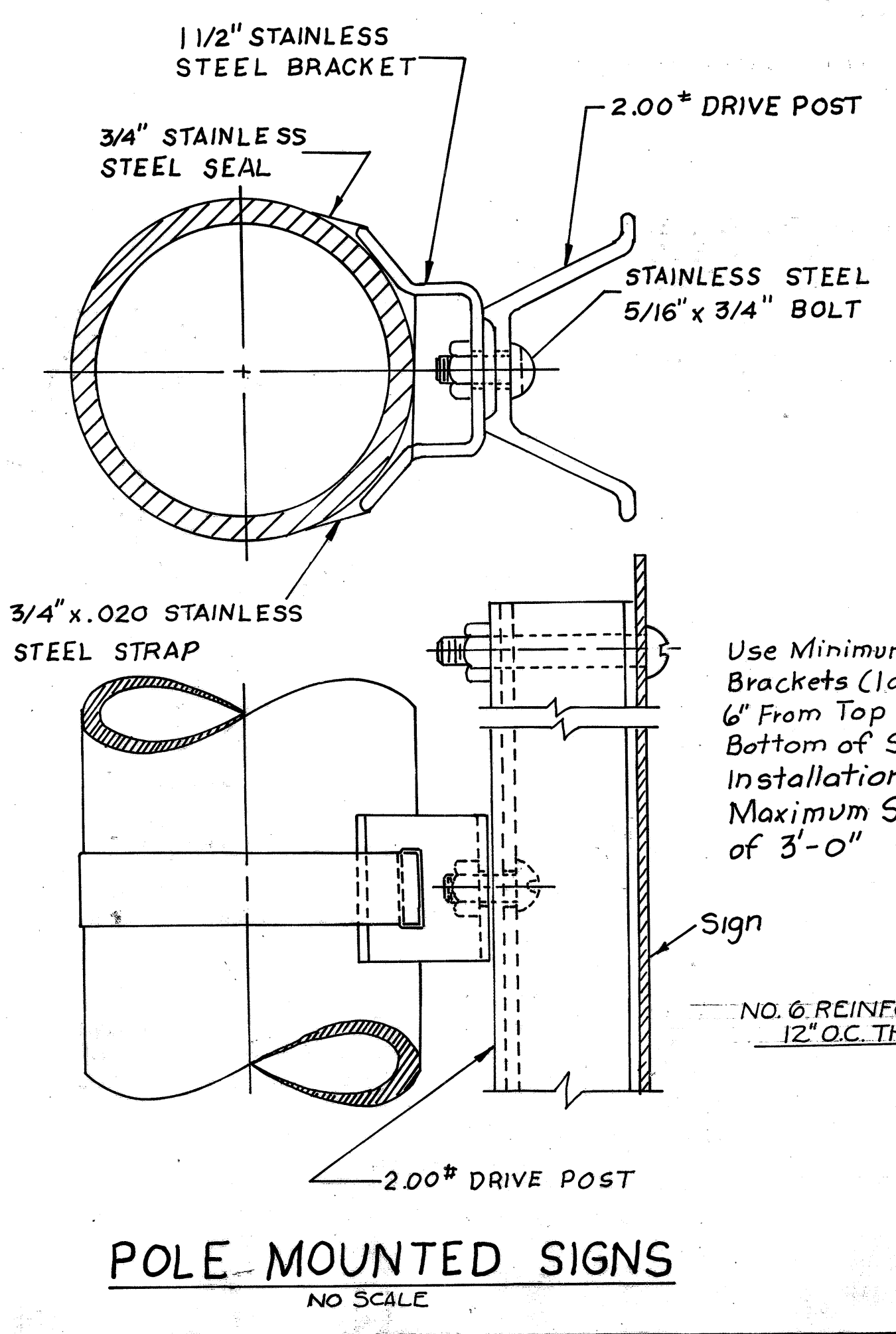
TRENCH & CONDUIT DETAIL
NO SCALE



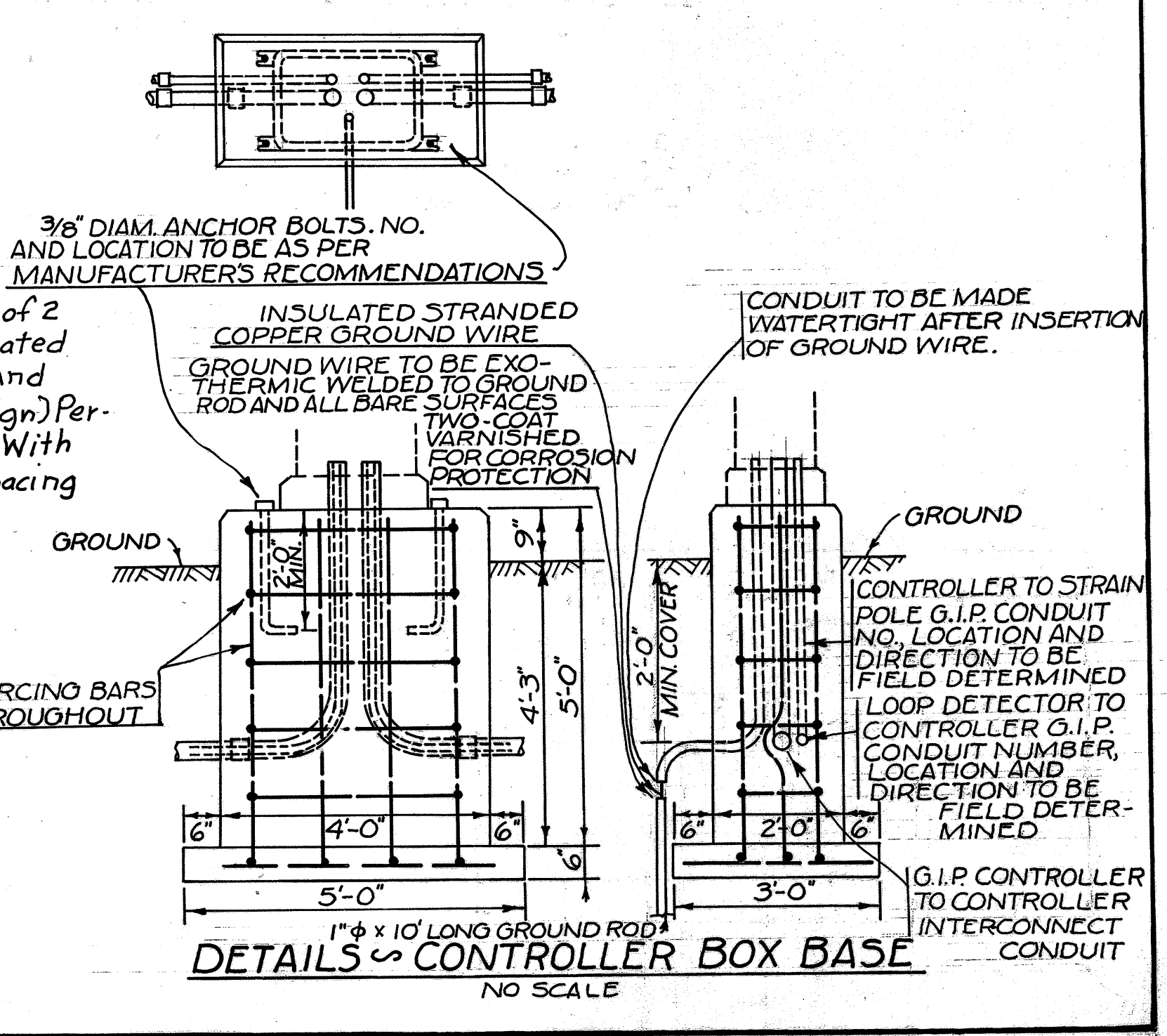
OVERHEAD SIGNAL SUPPORT CABLE MOUNTING BRACKET
NO SCALE



DETAILS OF POLE METERED CONTROL BOX
NO SCALE



POLE MOUNTED SIGNS
NO SCALE



DETAILS OF CONTROL BOX BASE
NO SCALE