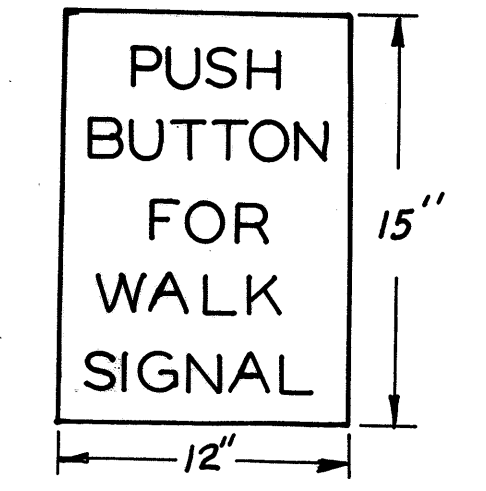


SPECIFICATION ITEM	DESCRIPTION	QUANTITY UNITS	ERIE STREET AT SECOND ST. & GLENN AVE.	VINE ST. AT SKIFF ST.	TOTAL QUANTITIES
621	2-4" SOLID YELLOW $\epsilon$	L.F.	450	300	750
621	2-4" SOLID & BROKEN YEL $\epsilon$	L.F.	-	-	-
621	1-4" DOTTED YELLOW $\epsilon$	L.F.	-	-	-
621	4" WHITE LANE LINE	L.F.	450	300	750
621	4" DOTTED LANE LINE	L.F.	-	-	-
621	8" CHANNELIZING LINE	L.F.	-	-	-
621	6" CROSSWALK LINE	L.F.	390	245	635
621	24" STOP LINE	L.F.	110	85	195
621	24" YEL. BROAD TRANSV. L.	L.F.	-	-	-
621	LINE ARROW	EA.	-	-	-
621	WORD ON PAVEM'T, AS PER PLN	EA.	-	-	-
8.15	SIGNS, FLAT SHEET TYPE	S.F.	-	5	5
8.16	STRUCT. SUP'T. 4LB POST DRIVEN	EA.	-	-	-
8.16	POLE MOUNT'D SIGN ATTACHM'T	EA.	-	1	1
8.16	Strain Wire Sign Att.	EA.	2	-	2

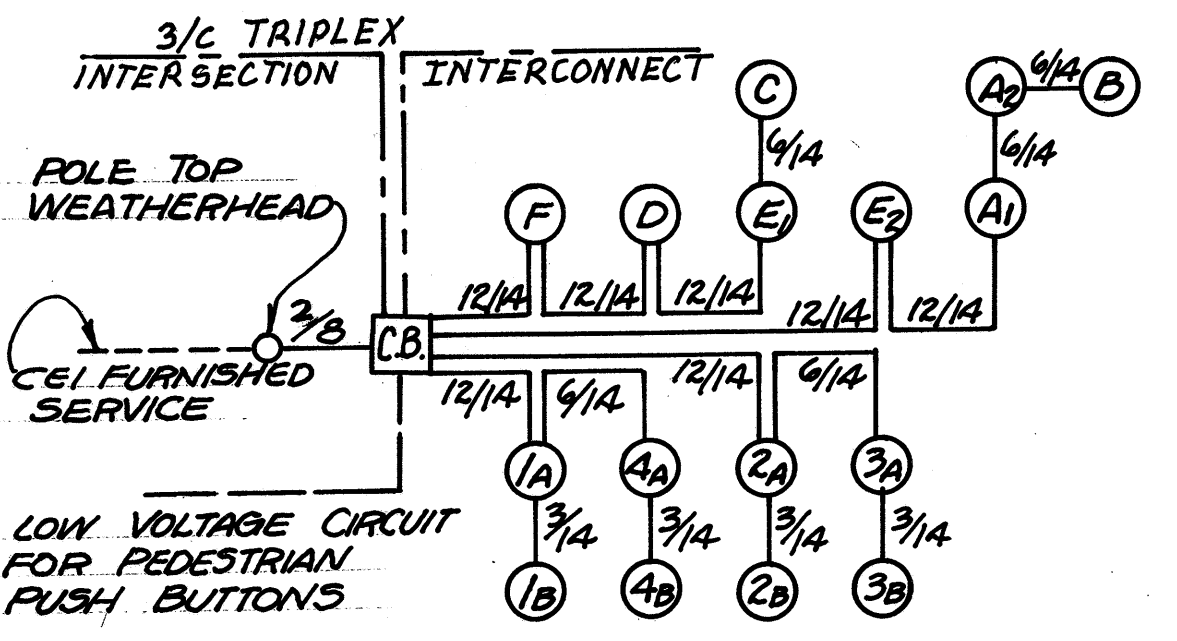
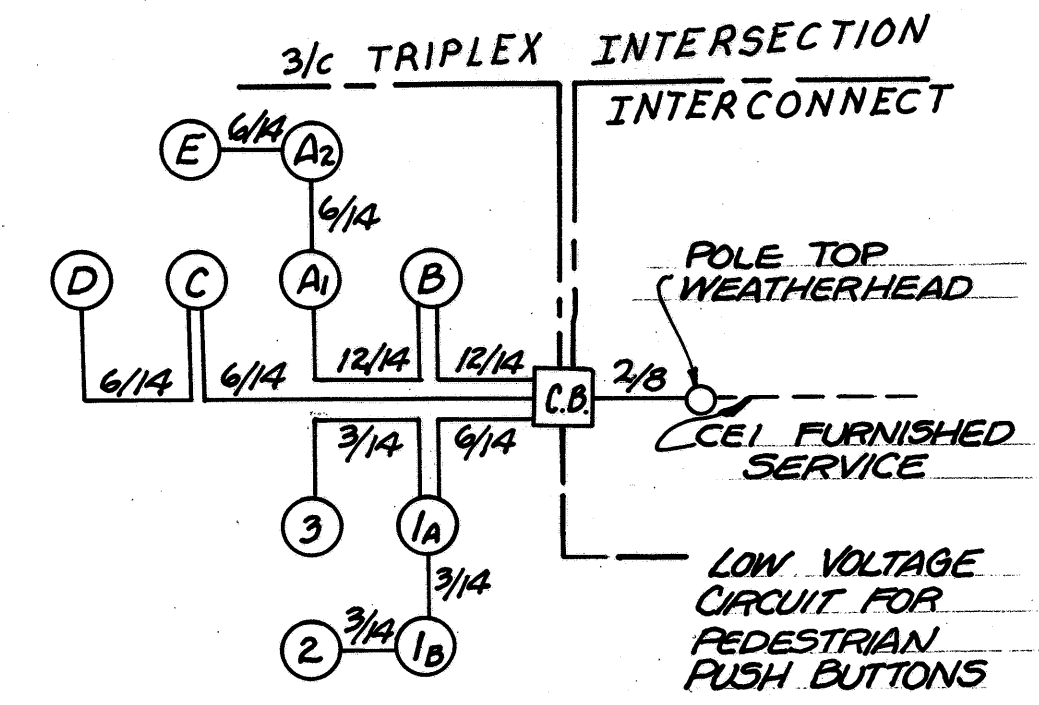
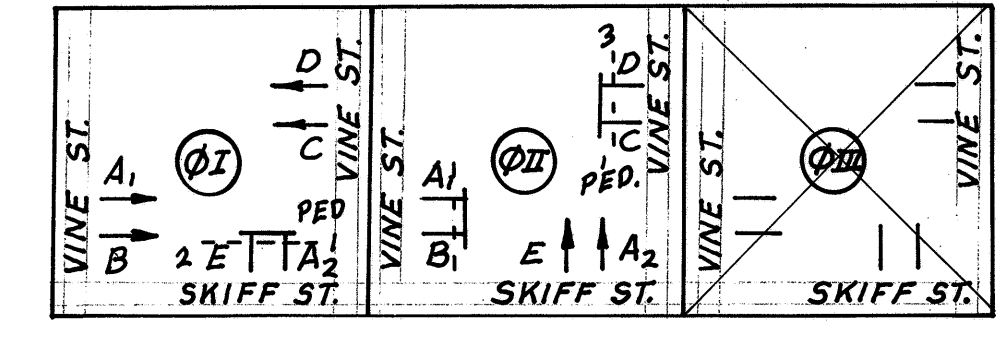
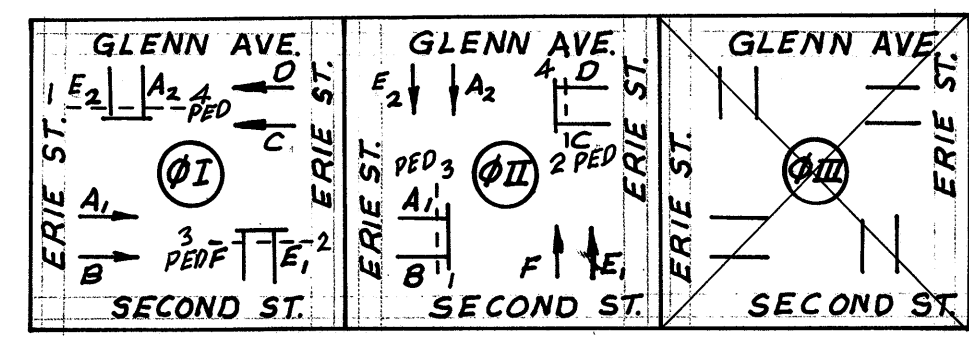
0.14 Mi.  
0.14 Mi.

LIGHT UNIT	$\phi$ I	TO	$\phi$ II	TO	$\phi$ III	TO
A, B C, D	Gr.	Am.	Re.			
A <sub>2</sub> E <sub>2</sub> E <sub>1</sub> F <sub>1</sub>	Re.		Gr.	Am.		
1, 2 a 3, 4 a	WALK	FL DW 15 Sec.				
1, 2 b 3, 4 b	D-W		WALK	FL DW 15 Sec.		
A, B C, D	FLASHING		AMBER			
A <sub>2</sub> E <sub>2</sub> E <sub>1</sub> F <sub>1</sub>	FLASHING		RED			



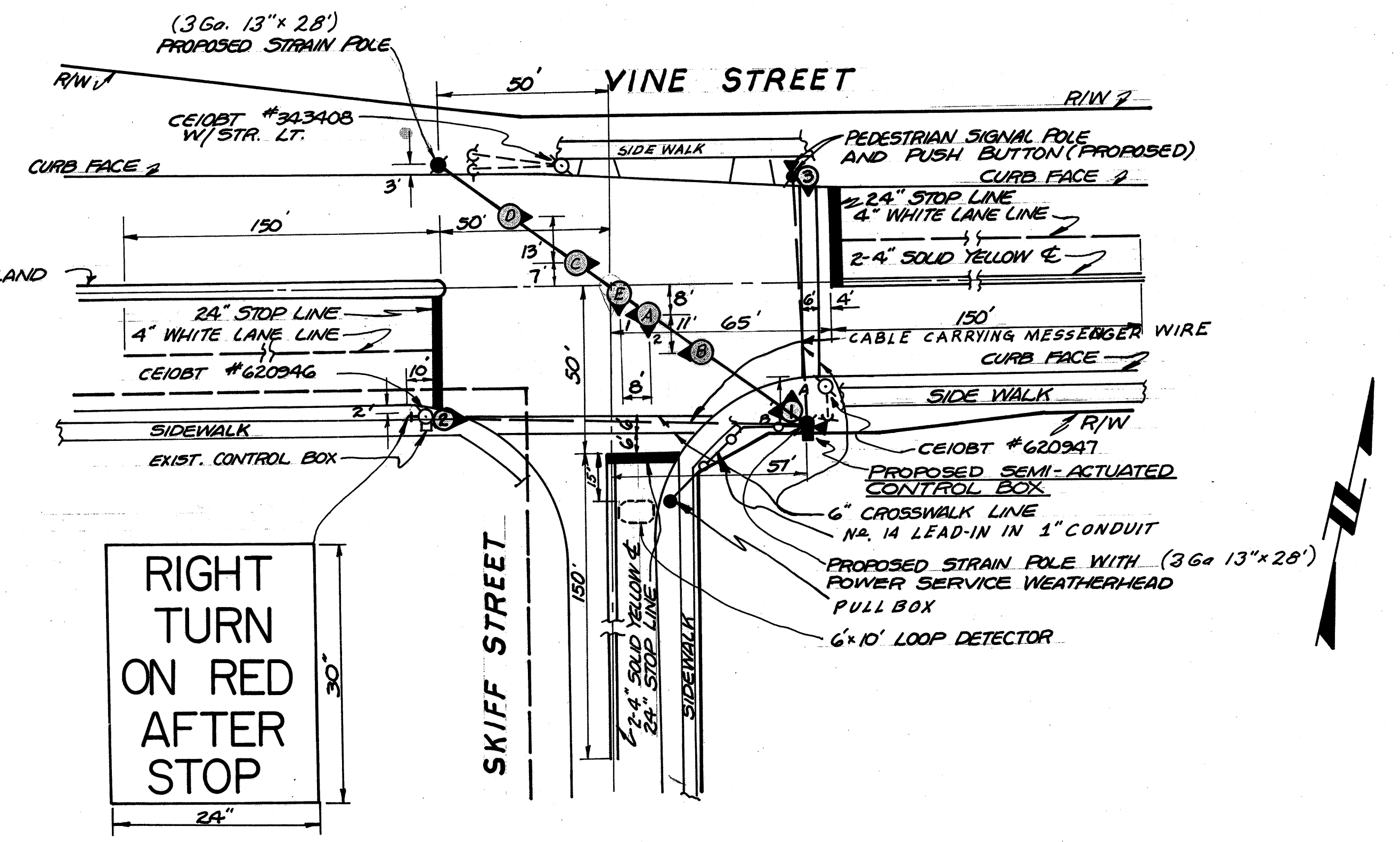
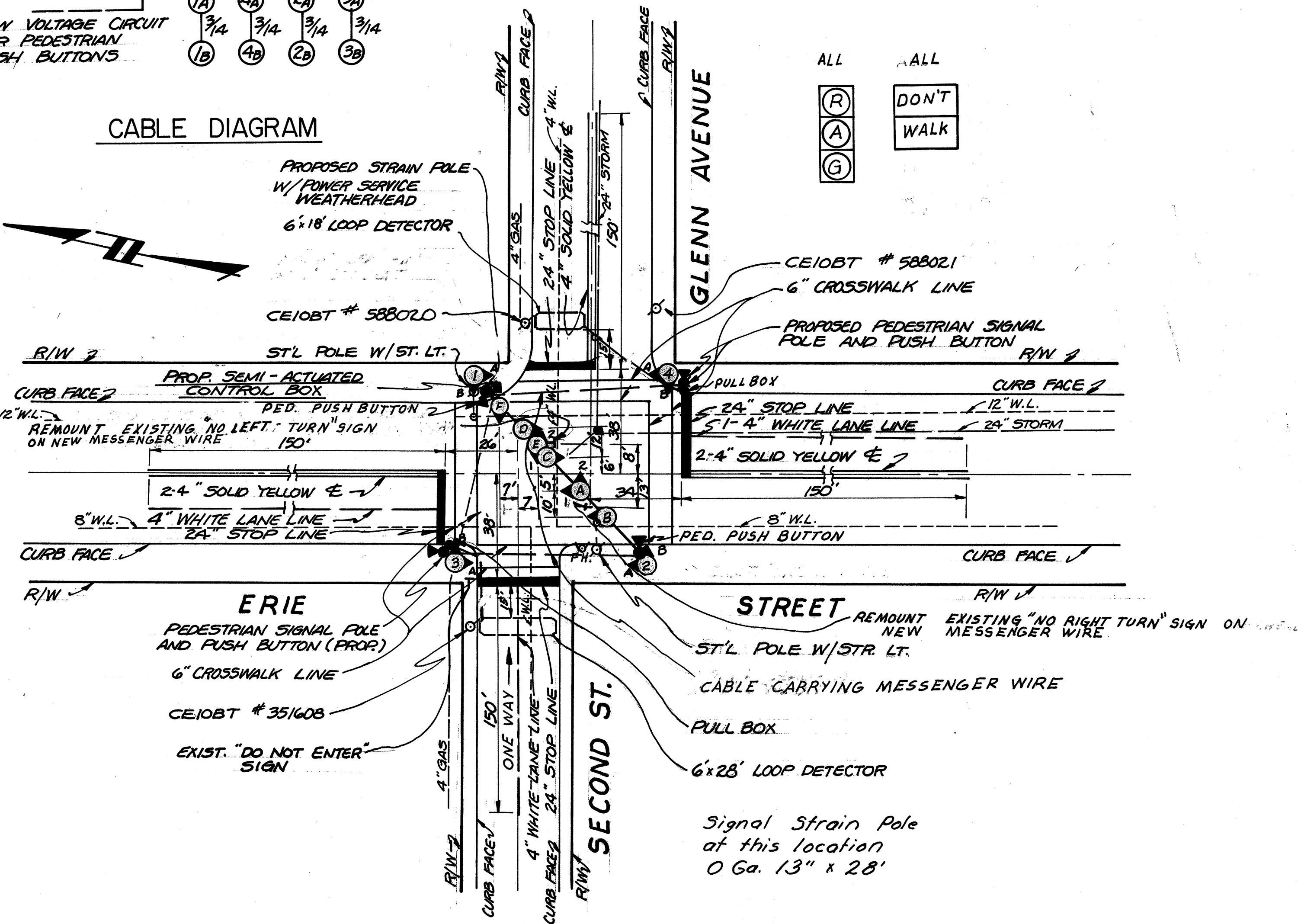
OHIO D.O.T. NO. R 73-12  
(1 SIGN WITH EACH PED. PUSH BUTTON)

LIGHT UNIT	$\phi$ I	TO	$\phi$ II	TO	$\phi$ III	TO
A, B C, D	Gr.	Am.	Re.			
A <sub>2</sub> E <sub>2</sub> E <sub>1</sub> F <sub>1</sub>	Re.		Gr.	Am.		
A, B C, D	FLASHING		AMBER			
A <sub>2</sub> E <sub>2</sub> E <sub>1</sub> F <sub>1</sub>	FLASHING		RED			
1A 3	DON'T WALK		WALK	D-W		
2 1b	WALK	FLASHING	D-W		WALK	



CABLE DIAGRAM

CABLE DIAGRAM



OHIO D.O.T. NO. ?  
(U.S. D.O.T. NO. R10-9)  
4 LETTERS