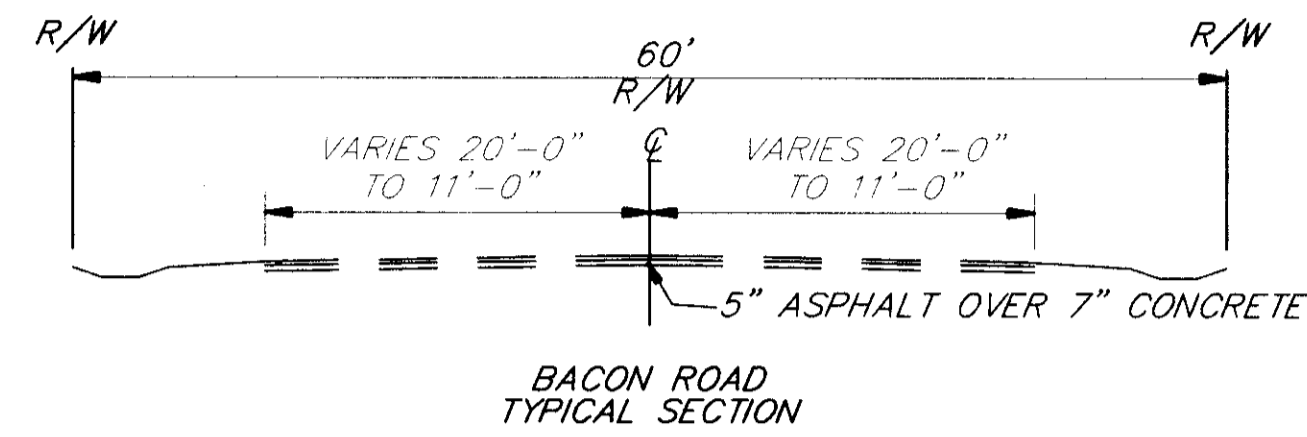
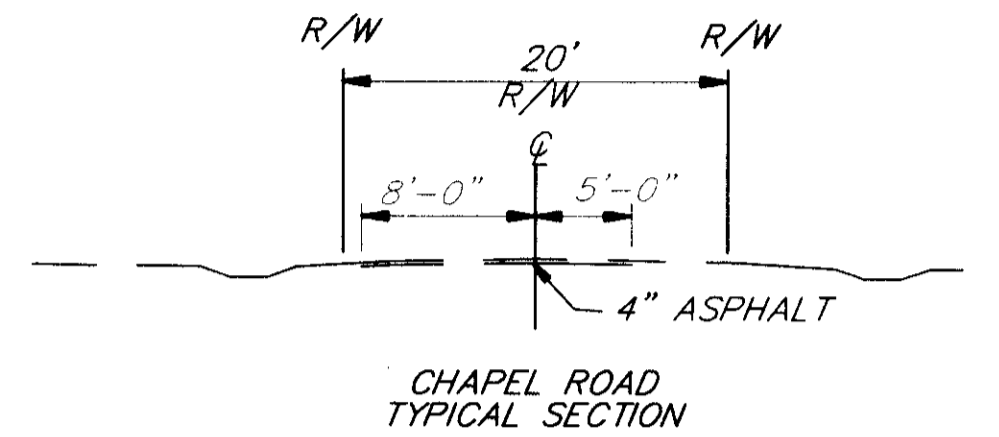


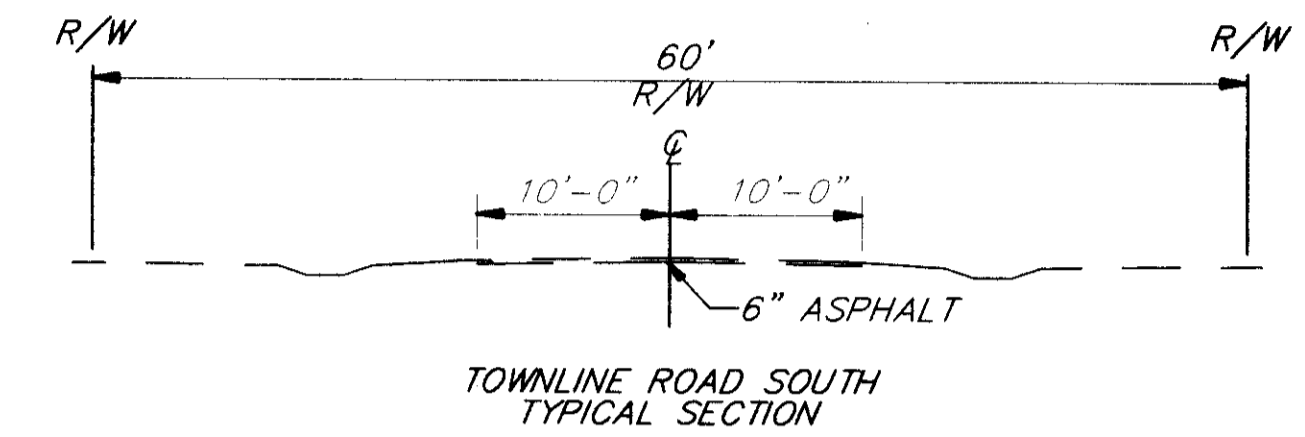
EXISTING TYPICAL SECTIONS SIDESTREETS



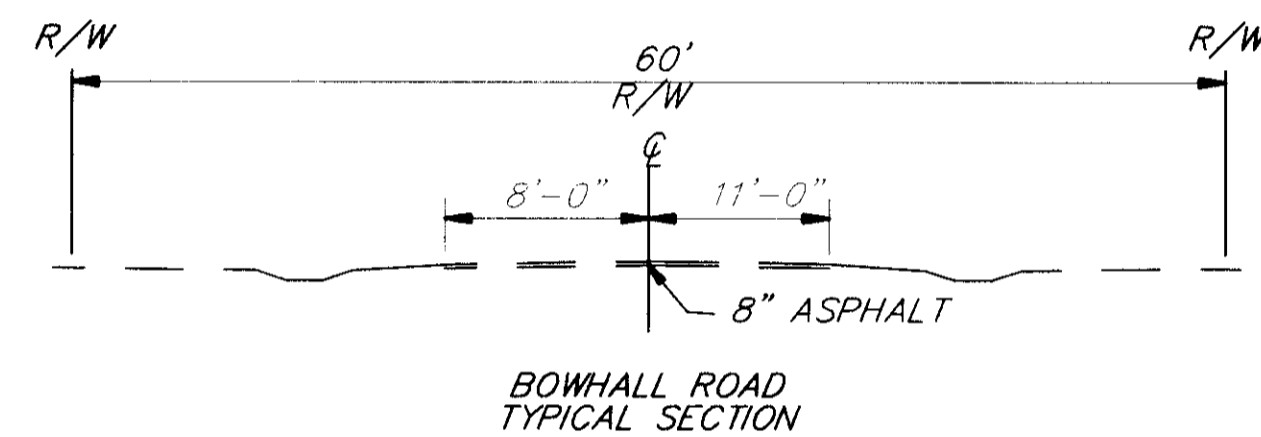
BACON ROAD
TYPICAL SECTION



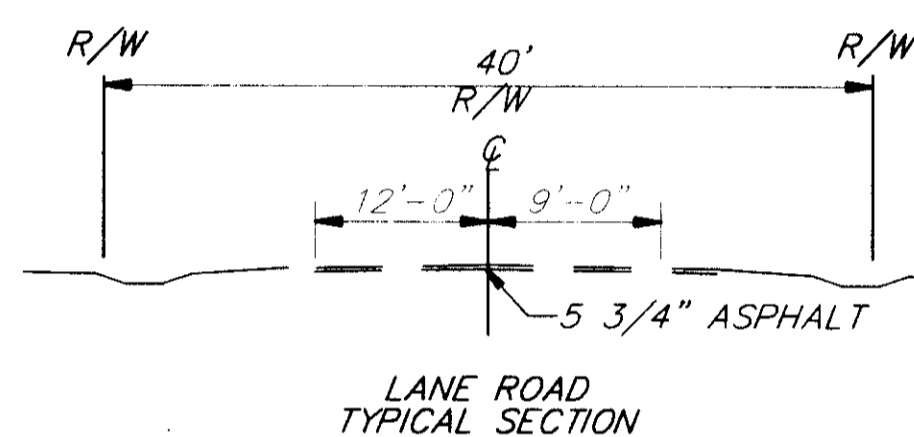
CHAPEL ROAD
TYPICAL SECTION



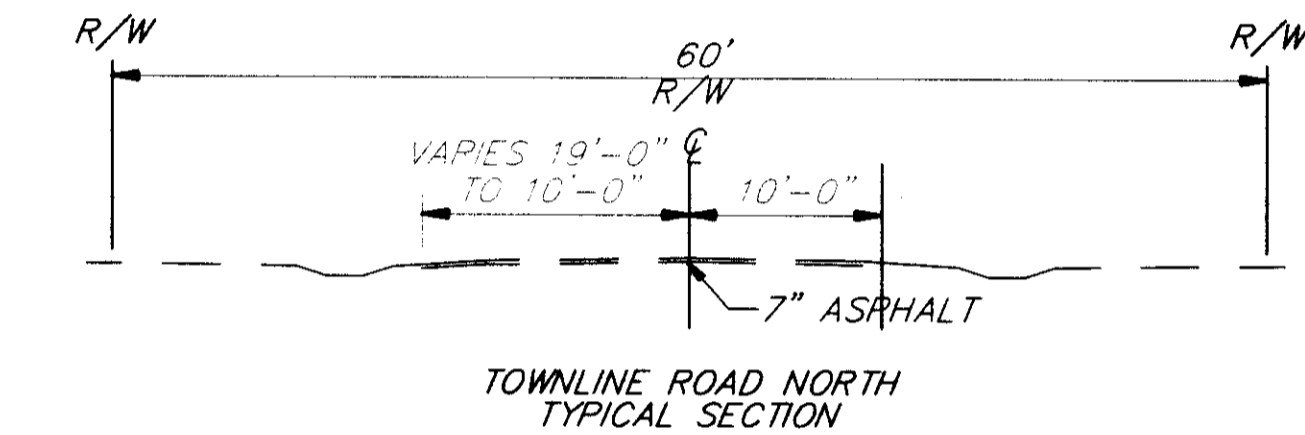
TOWNLIN ROAD SOUTH
TYPICAL SECTION



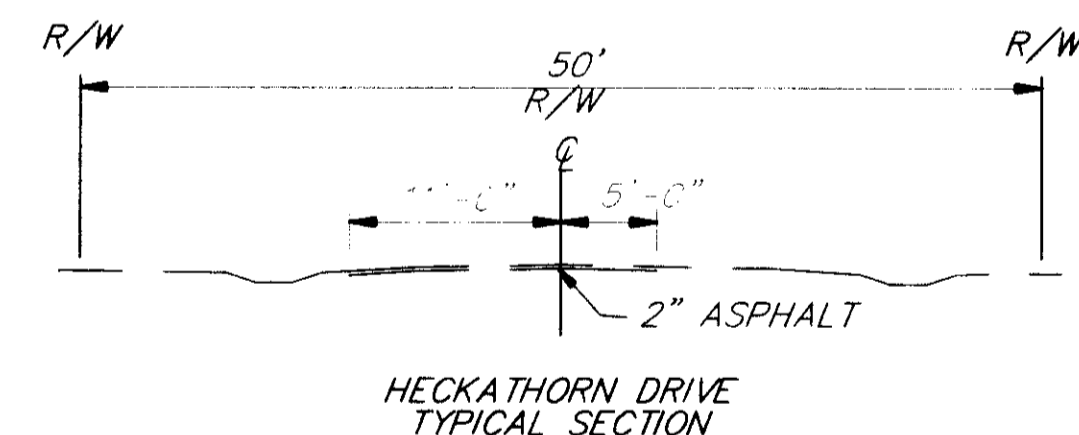
BOWHALL ROAD
TYPICAL SECTION



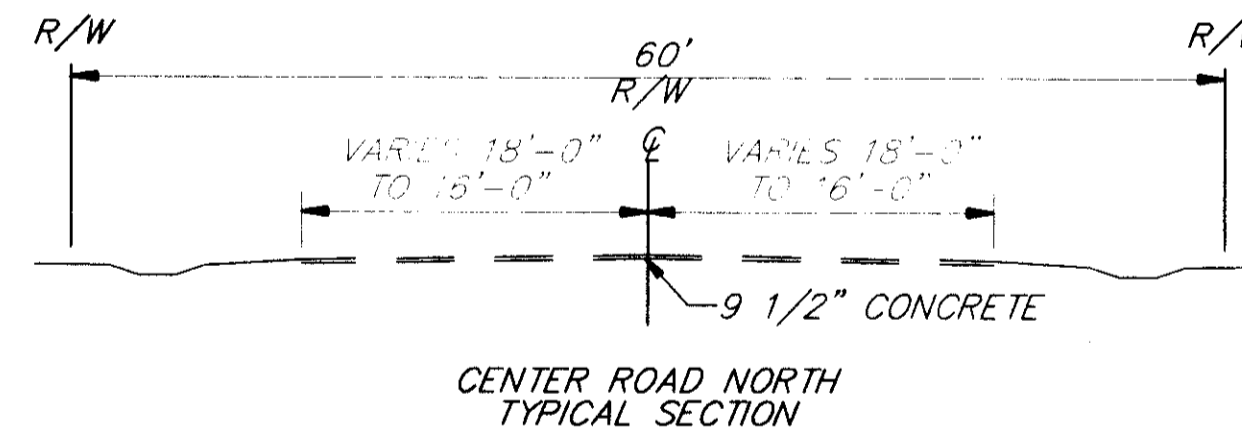
LANE ROAD
TYPICAL SECTION



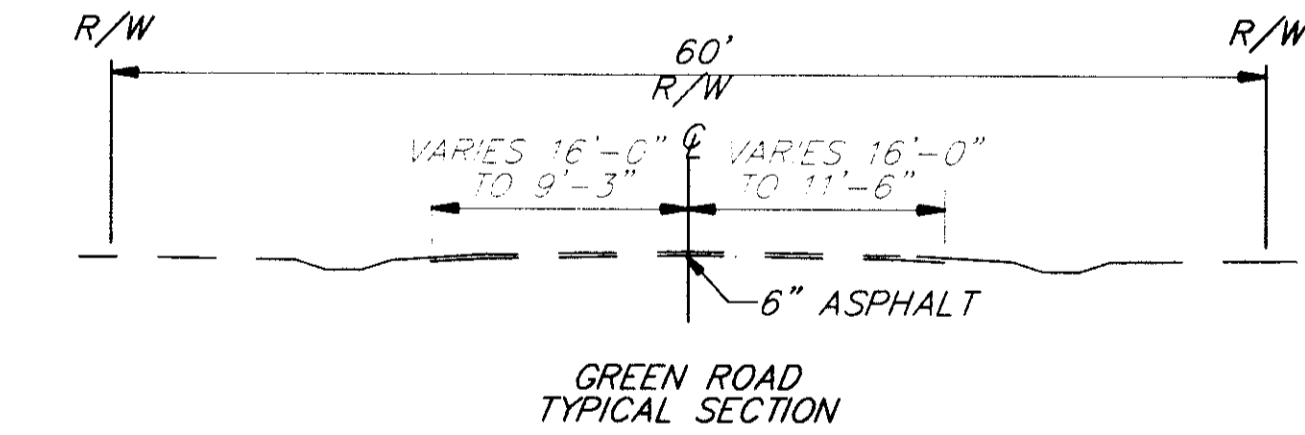
TOWNLIN ROAD NORTH
TYPICAL SECTION



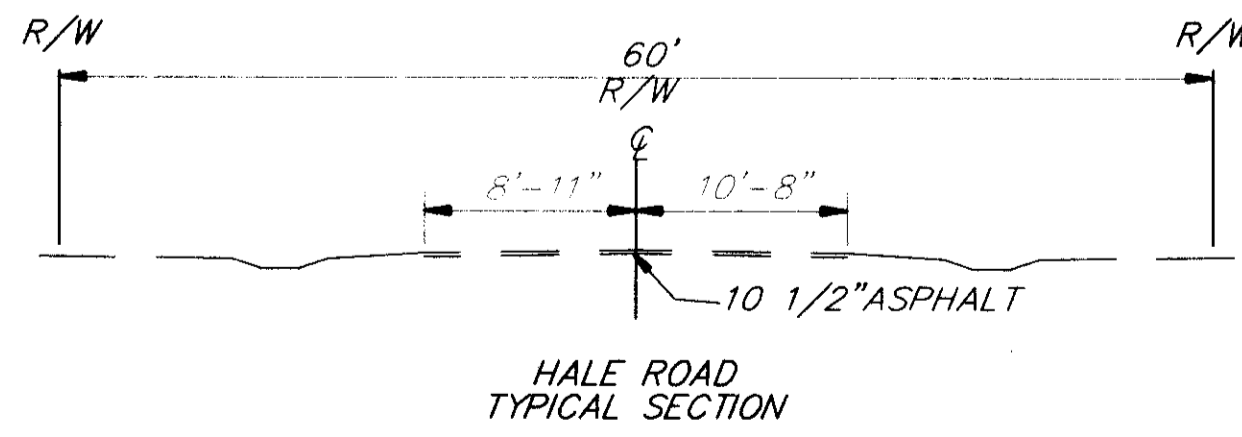
HECKATHORN DRIVE
TYPICAL SECTION



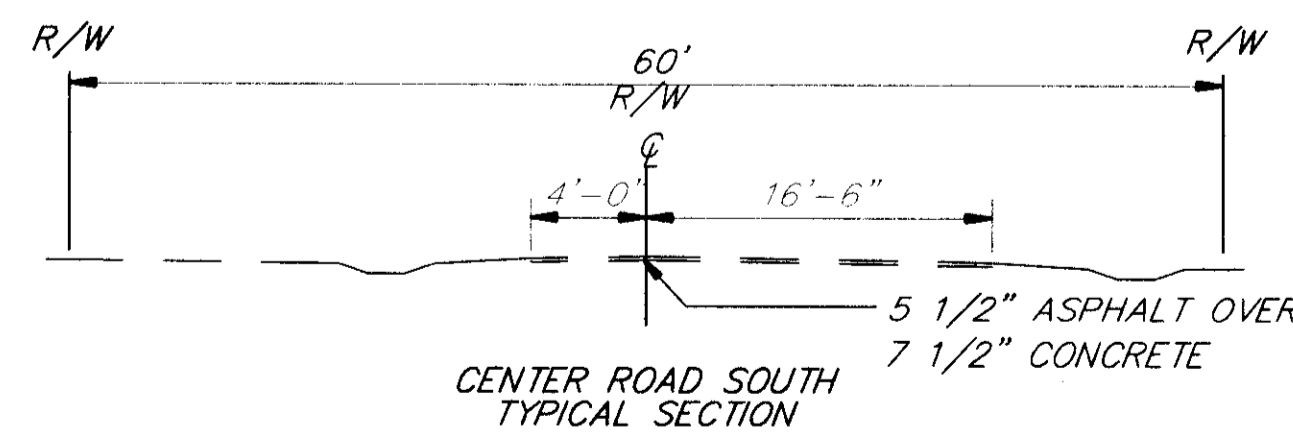
CENTER ROAD NORTH
TYPICAL SECTION



GREEN ROAD
TYPICAL SECTION



HALE ROAD
TYPICAL SECTION



CENTER ROAD SOUTH
TYPICAL SECTION

H:\1998\98404\dwg\typicals.dwg 08/13/99 11:47:13 AM EDT

LAYER 224

CALCULATED
CHECKED

EXISTING TYPICAL SECTIONS - SIDESTREETS

LAK - 20 - 18.40

8