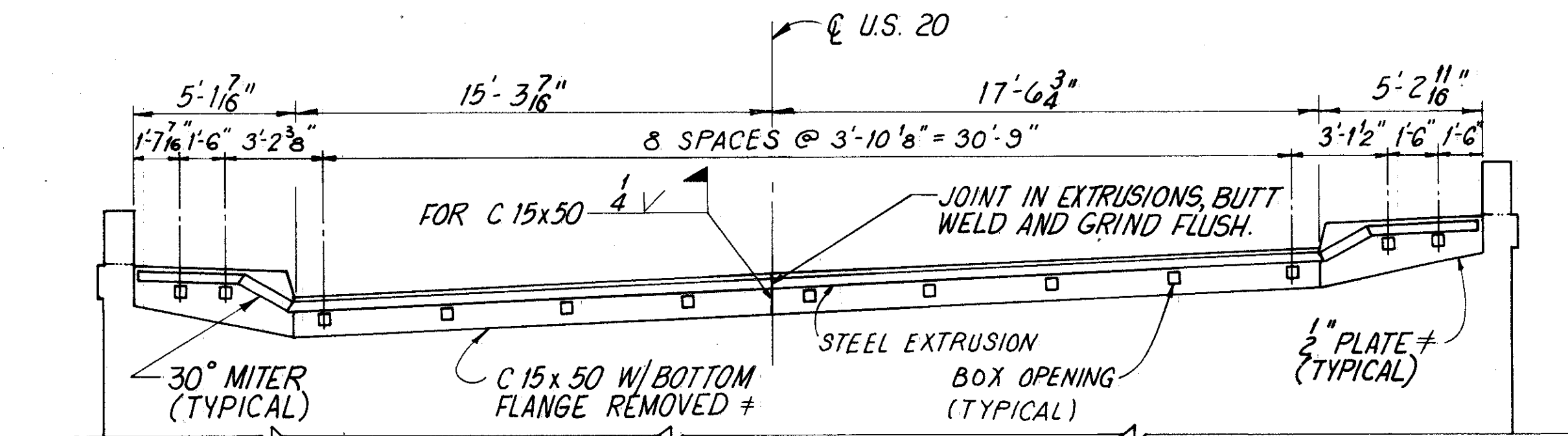
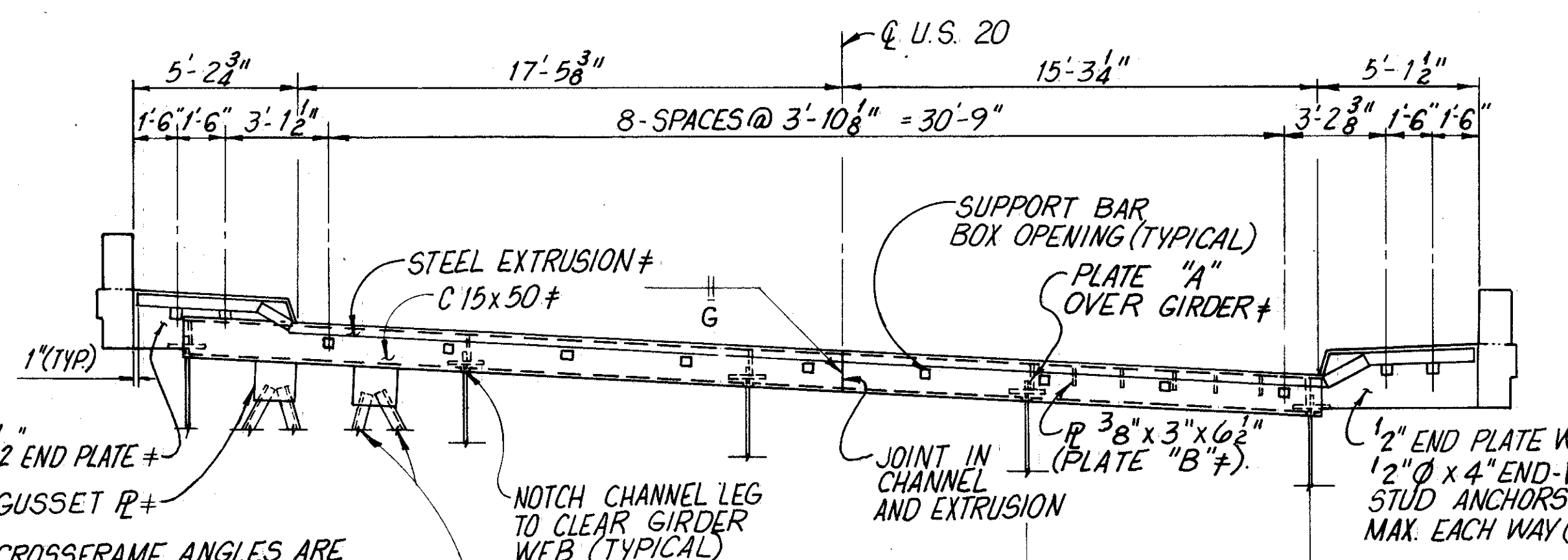


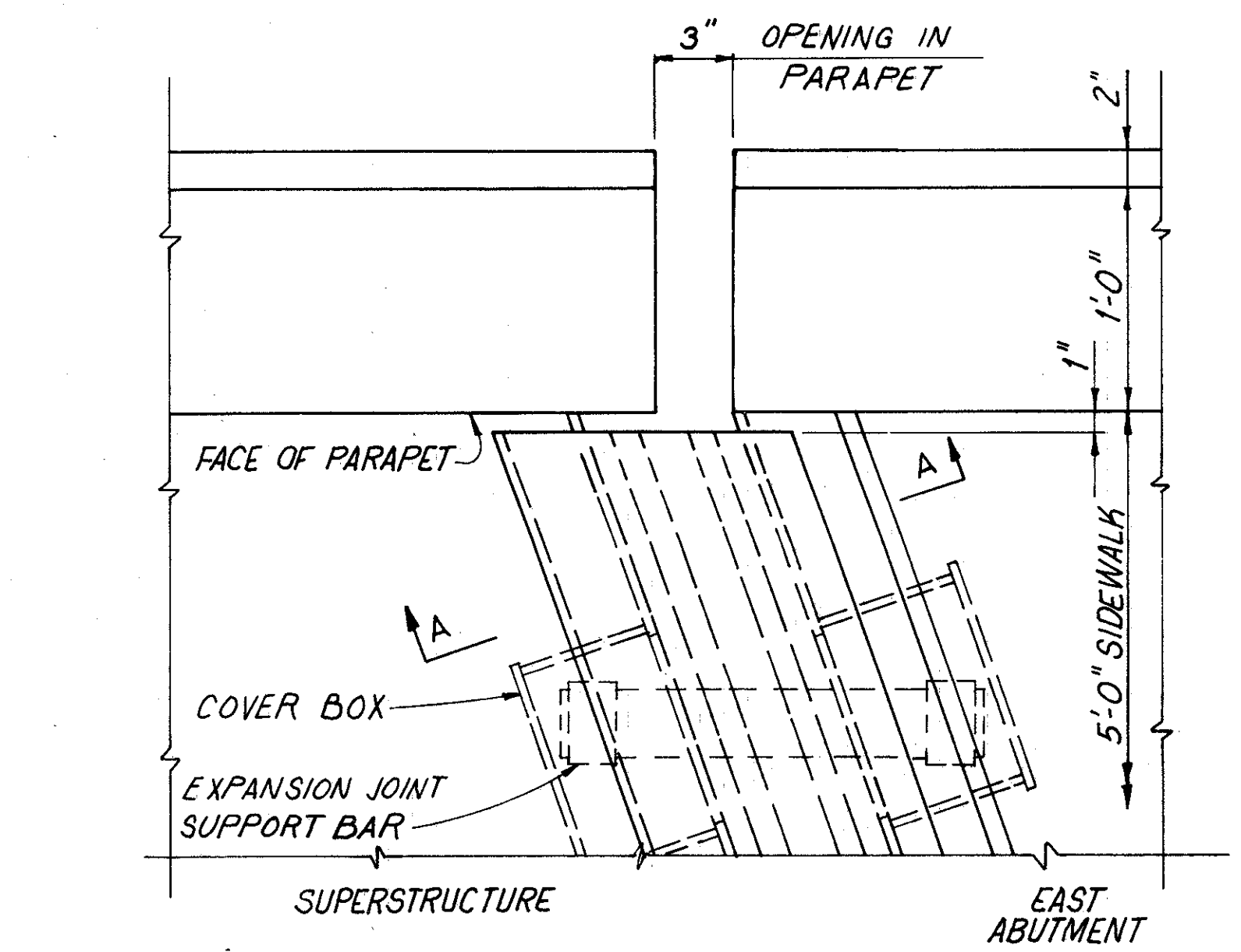
TEMPERATURE ADJUSTMENT FOR "A"						
40°	50°	60°	70°	80°	90°	MAX. MIN.
8 1/4"	8 1/8"	7 7/8"	7 1/2"	7 1/4"	7 1/8"	5" 11"



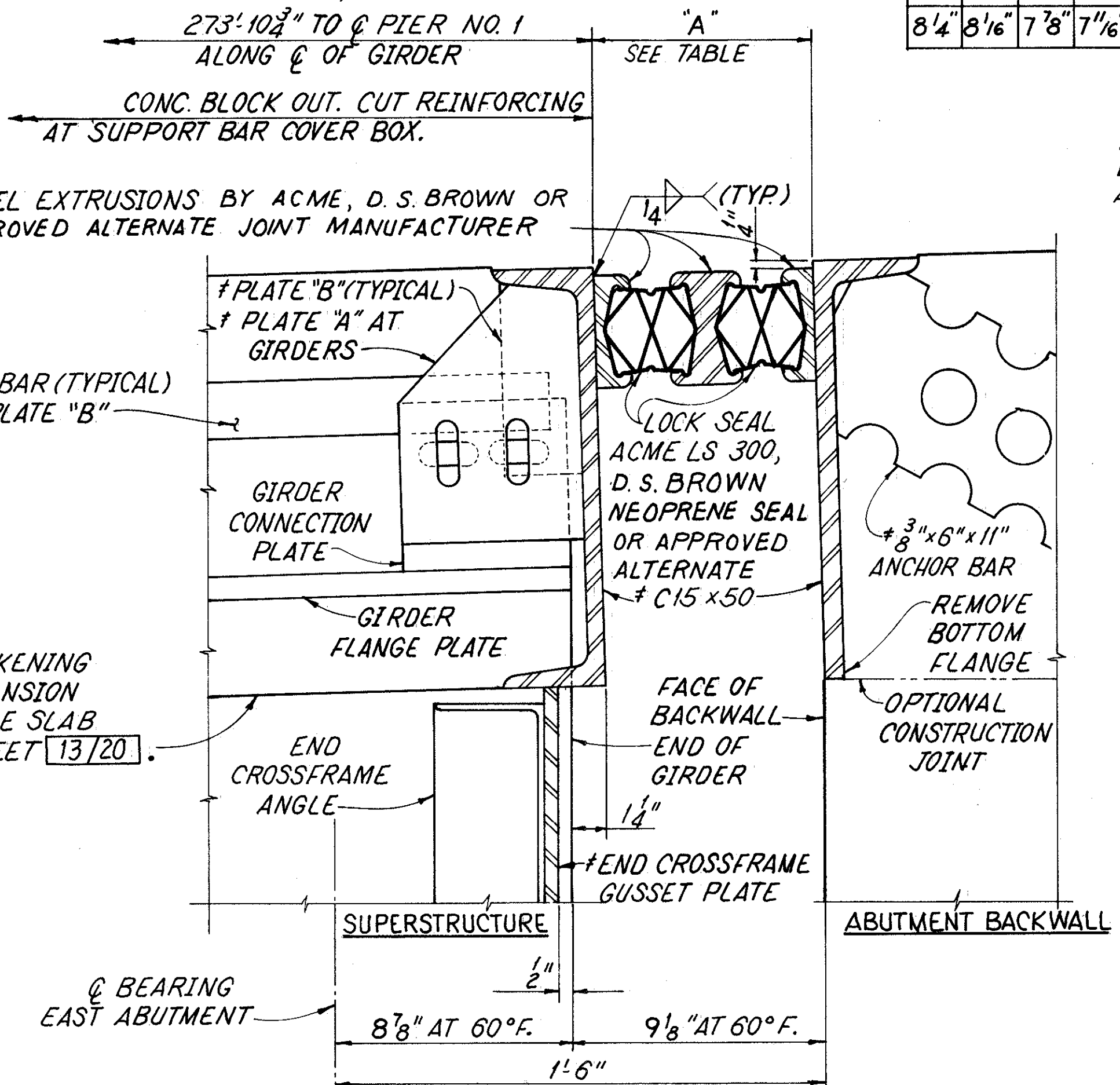
ELEVATION  
EAST ABUTMENT EXPANSION JOINT  
ALONG FACE OF ABUTMENT BACKWALL



ELEVATION  
EAST ABUTMENT EXPANSION JOINT  
LOOKING INTO SUPERSTRUCTURE  
(DIMENSIONS SHOWN ALONG  $\phi$  OF BEARING)



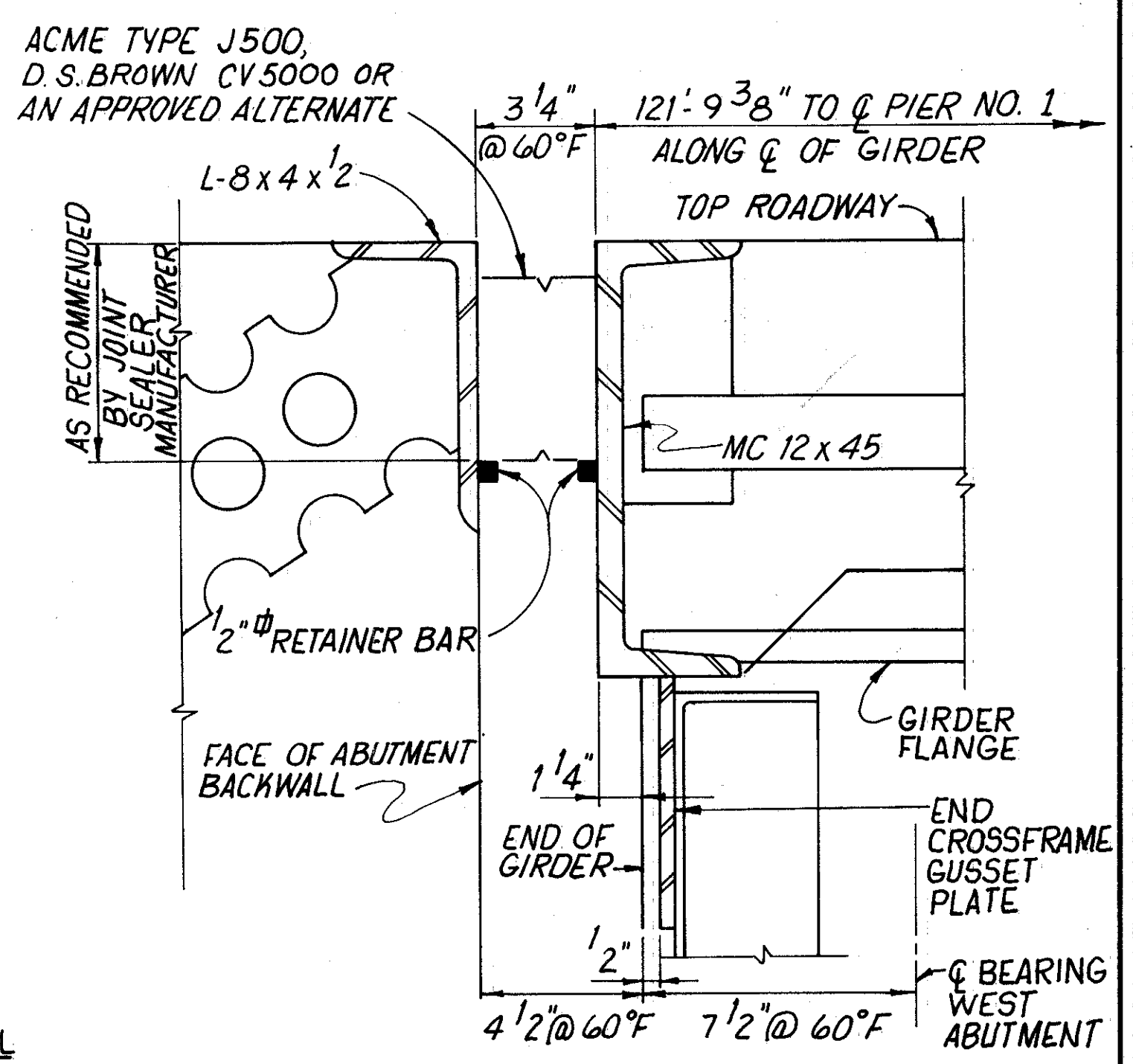
PARTIAL PLAN- SIDEWALK AT EAST ABUTMENT



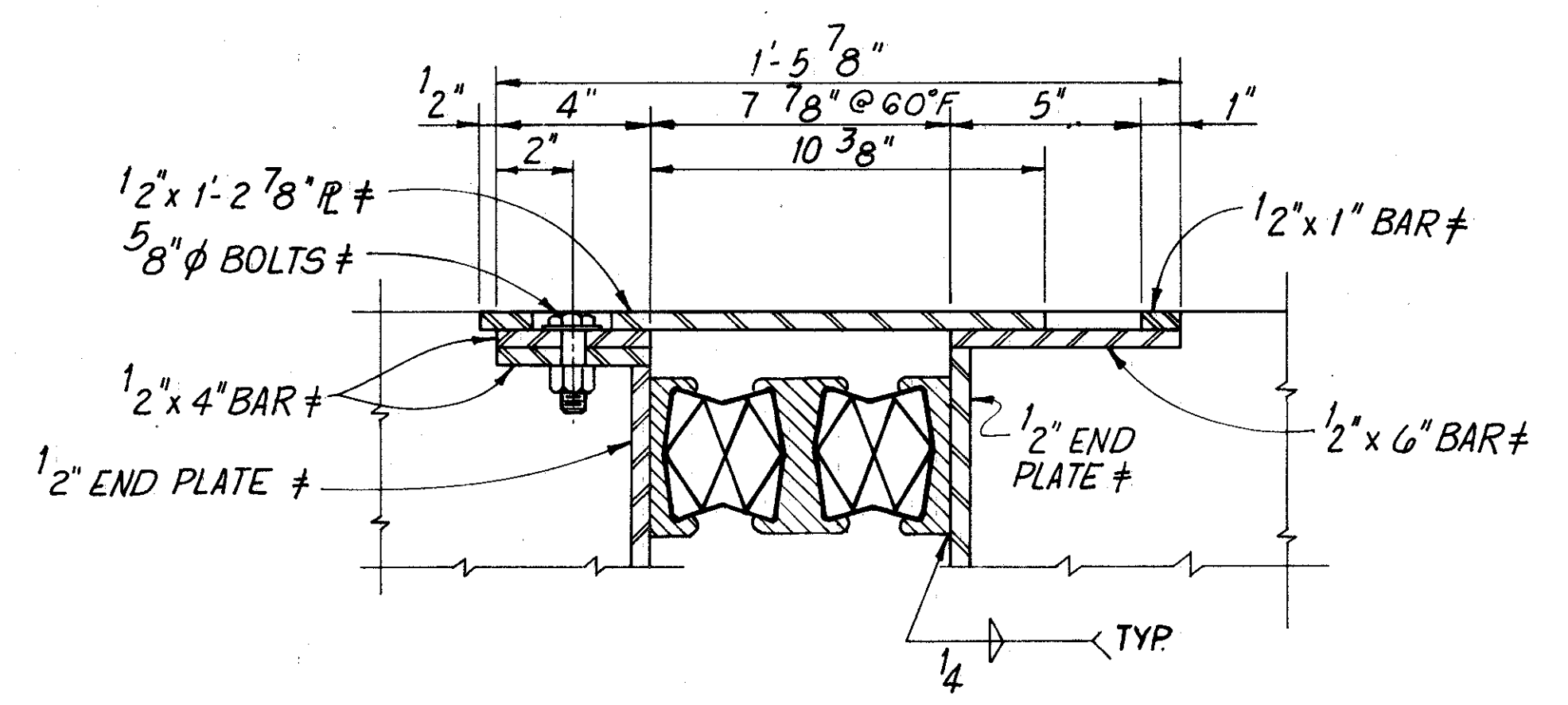
MODULAR EXPANSION JOINT AT EAST ABUTMENT  
SECTION TAKEN PERPENDICULAR TO JOINT.  
SUPPORT BAR AND COVER BOX NOT SHOWN.

NOTE: The Expansion Joint Systems shall be designed for an Impact of 100%. This may require a change in the spacing of the support bars, from what has been shown.

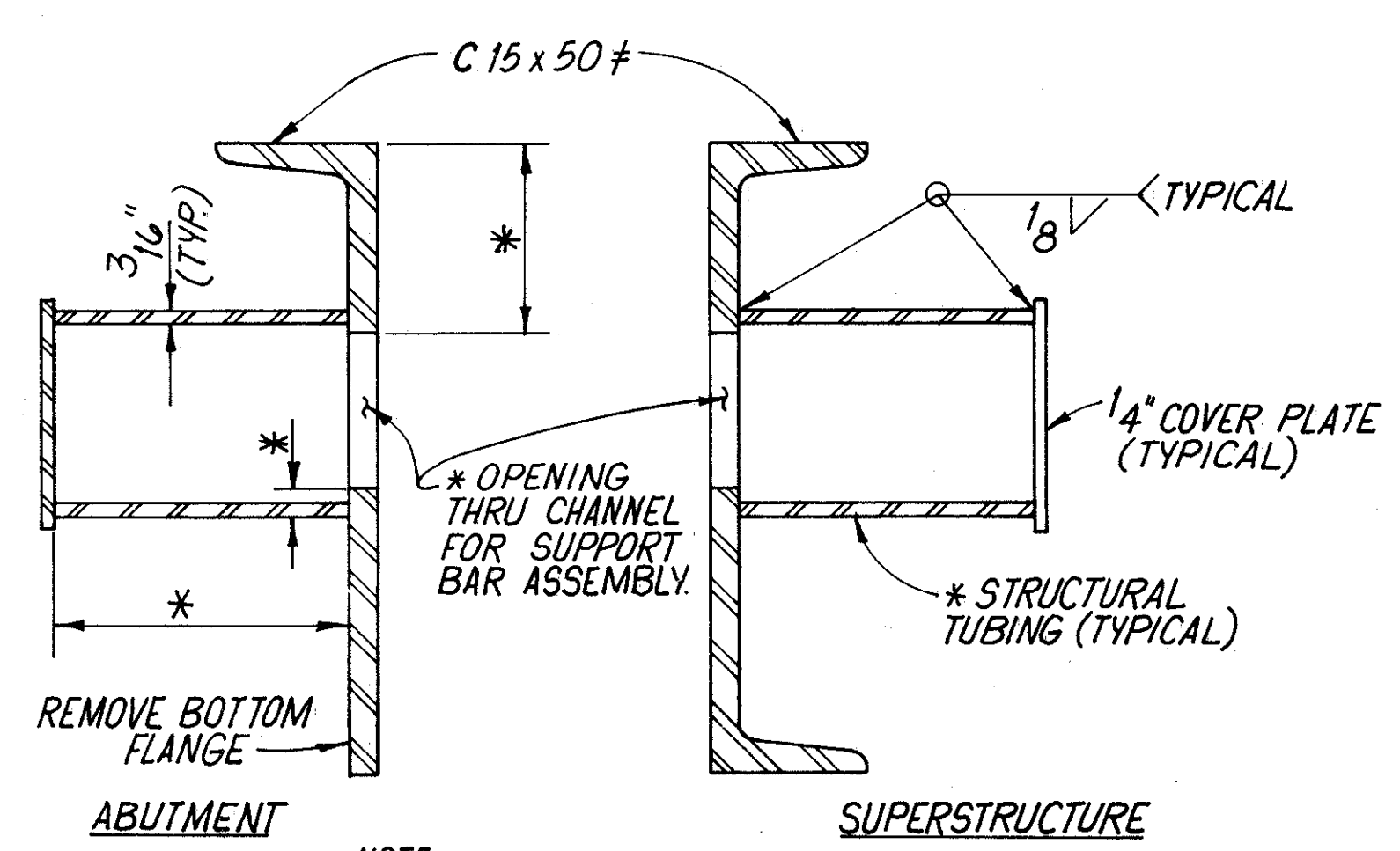
NOTE: THE REQUIRED BLOCKOUT, EXPANSION JOINT, SNOW PLOW PROTECTOR, REINFORCING AND ANY OTHER ITEMS NECESSARY TO COMPLETE THIS JOINT ARE TO BE DETERMINED, DESIGNED, DETAILED AND SUPPLIED BY THE EXPANSION JOINT VENDOR AND SUBMITTED FOR APPROVAL. THE VENDOR'S REPRESENTATIVE SHALL BE PRESENT AND SUPERVISE THE INSTALLATION. SEE GENERAL NOTES.



EXPANSION JOINT AT WEST ABUTMENT  
SECTION TAKEN PERPENDICULAR TO JOINT  
FOR DETAILS NOT SHOWN AND FOR ADDITIONAL DETAILS AT SIDEWALK SEE STD. DWGS. EXJ-2-81 SHEETS 1 AND 2.



SECTION A-A



NOTE:  
\* DENOTES ITEMS THAT SHALL BE VERIFIED BY THE JOINT MANUFACTURER, PRIOR TO FABRICATION.  
COVER BOX DETAIL

# INDICATES MEMBERS TO BE INCLUDED FOR PAYMENT IN THE UNIT PRICE BID FOR ITEM 516- STRUCTURAL EXPANSION JOINTS, OR MODULAR EXPANSION JOINTS INCLUDING ELASTOMERIC COMPRESSION SEALS AND STEEL EXTRUSIONS.

FOR DECK SLAB THICKENING AND REINFORCING AT EAST ABUTMENT EXPANSION JOINT SEE SLAB PLAN SHEET 15/22.

FOR DETAILS OF JOINT ARMOR, SUPPORT BARS AND CONNECTORS, AND JOINT TREATMENT THROUGH SIDEWALK SEE OHIO STANDARD DRAWING EXJ-2-81 SHTS. 1 AND 2 OF 2.

FOR GENERAL NOTES SEE SHEET 3/22 AND 4/22.

WOODRUFF, INC. CONSULTING ENGINEERS CLEVELAND, OHIO	
EXPANSION JOINT DETAILS	
U.S. ROUTE 20 OVER THE GRAND RIVER	
BR. NO.-LAK-20-1723	FROM STA. 18+91.00 TO STA. 22+89.56
LAKE COUNTY	OHIO
MADE R.J.P.	TRACED MAG
DATE 9-84	DATE 9-84
CHECKED A.M.	REVIEWED A.M.
DATE 10/84	DATE 10/84
SHEET 16 / 22	

U.S. 20 OVER GRAND RIVER