

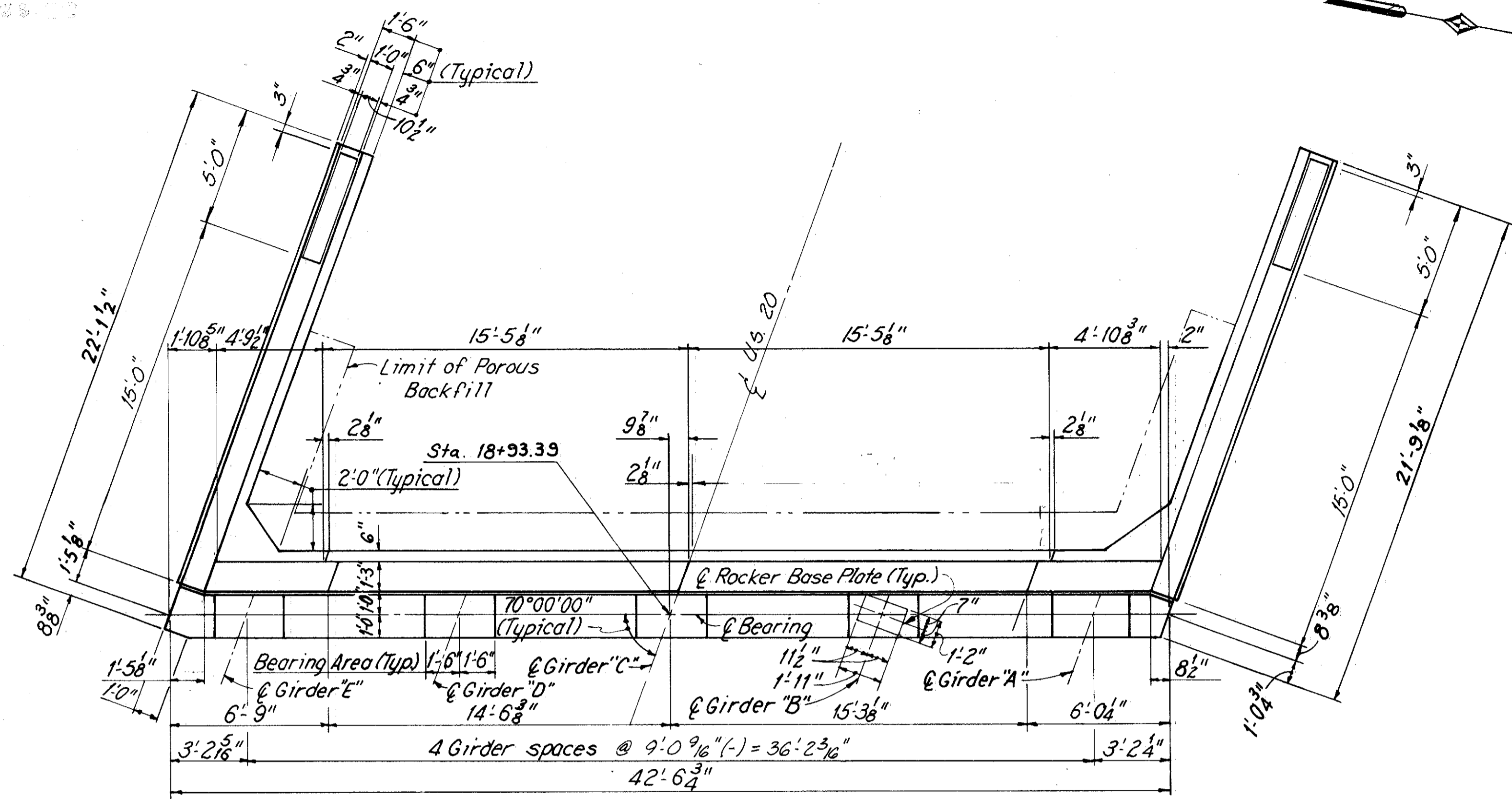
LAKE COUNTY
LAK-20-17.14

NOTES

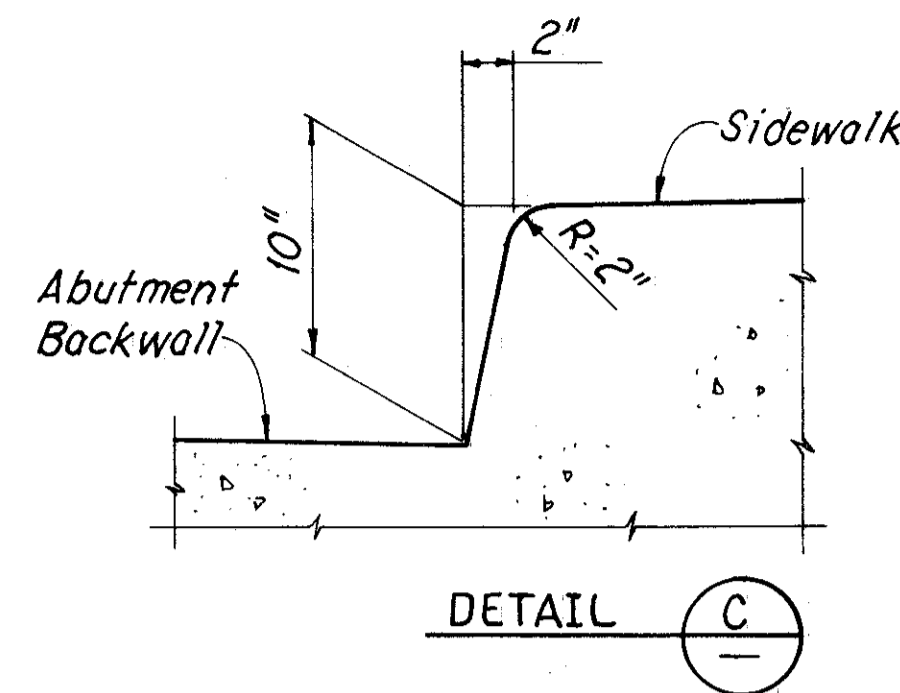
FOR FOUNDATION PLAN AND WINGWALL ELEVATIONS SEE SHEET **8/22**

FOR WINGWALL DETAILS SEE SHEET **8/22**

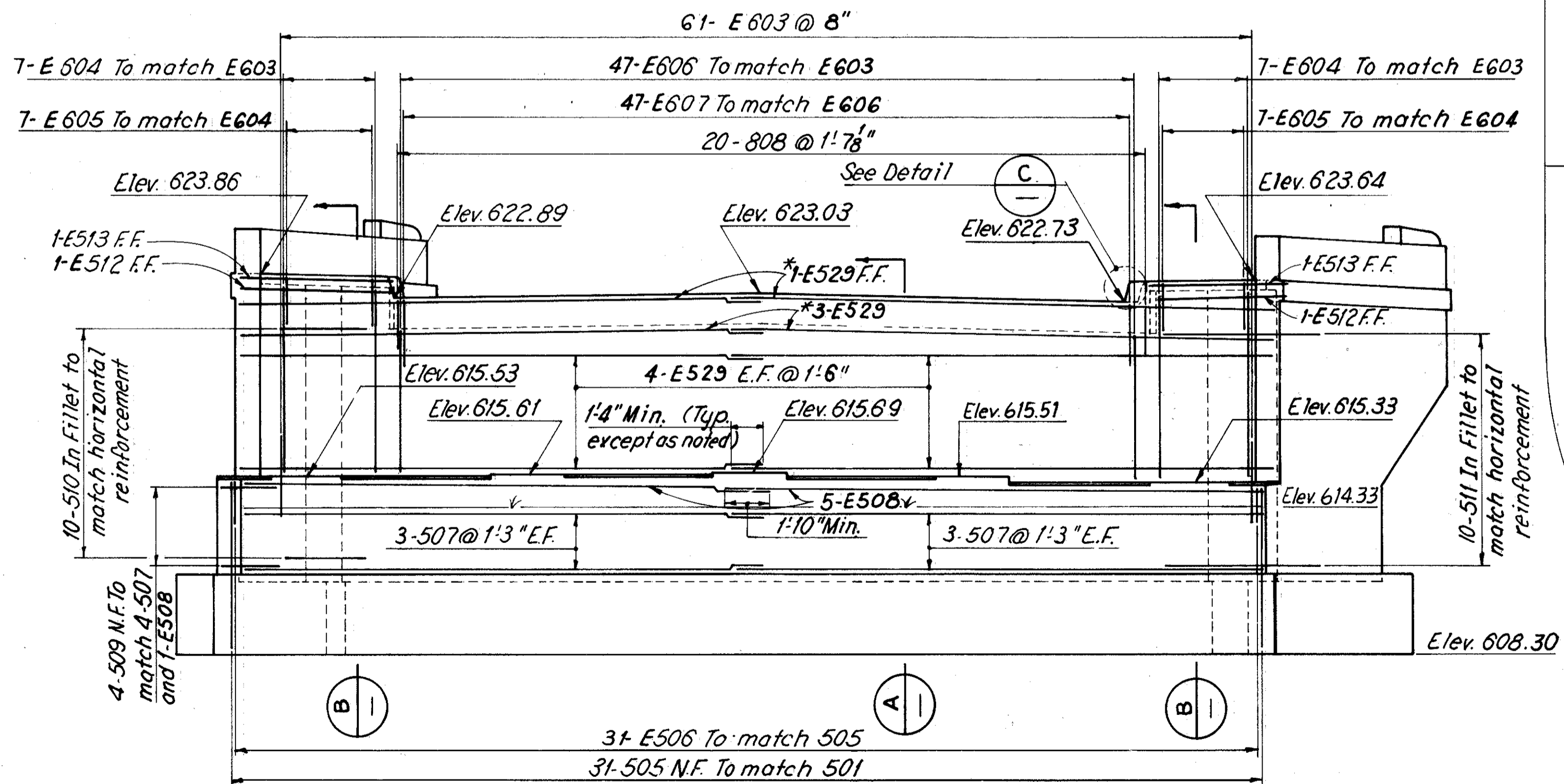
FOR ADDITIONAL NOTES SEE SHEET **8/22**



PLAN

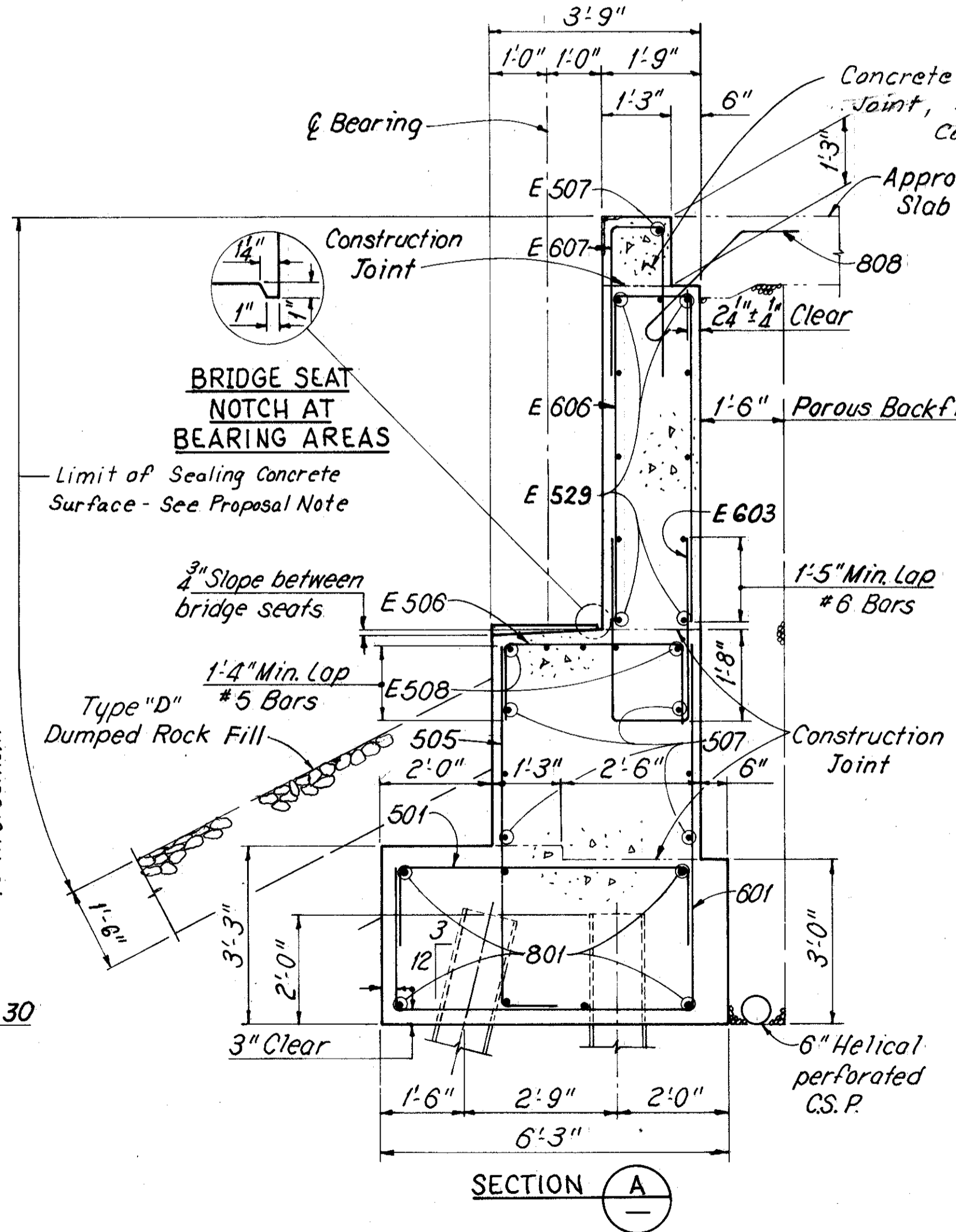


DETAIL C

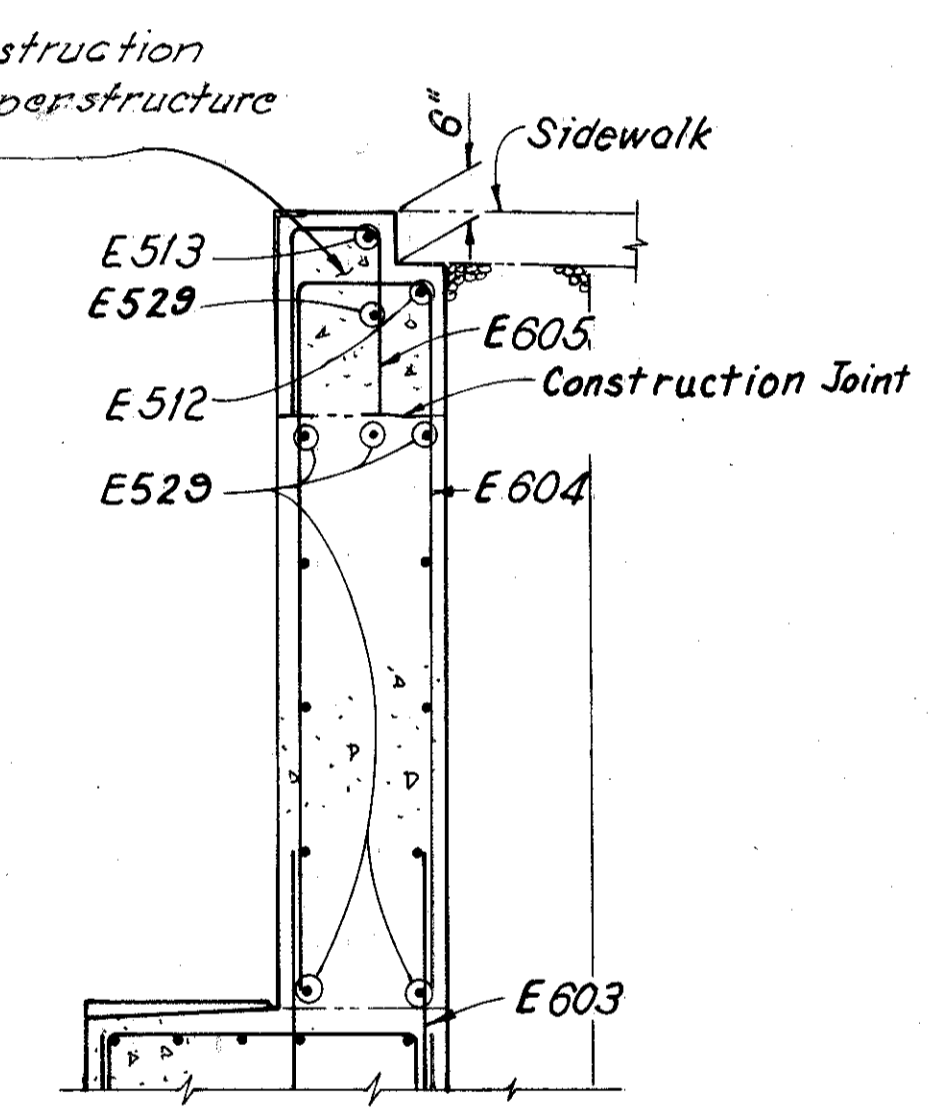


ELEVATION
(Piles not shown)
* Field bend as required

Note:
All bar marks shall be prefixed AW.
Reinforcing at Waterline opening shall be field cut as required.



SECTION A



PART SECTION B

WOODRUFF, INC. CONSULTING ENGINEERS CLEVELAND, OHIO	
WEST ABUTMENT U.S. ROUTE 20 OVER THE GRAND RIVER	
BR. NO.-LAK-20-1723	FROM STA. 18+91.00 TO STA. 22+89.56
LAKE COUNTY	OHIO
MADE RCK	TRACED RCK
CHECKED PG	REVIEWED AJM
DATE 7-17-84	DATE 8-13-84
DATE 10-84	DATE 10/84
REVISOR	REVISION
	9-3-86
SHEET 7 / 22	

U.S. 20 OVER GRAND RIVER