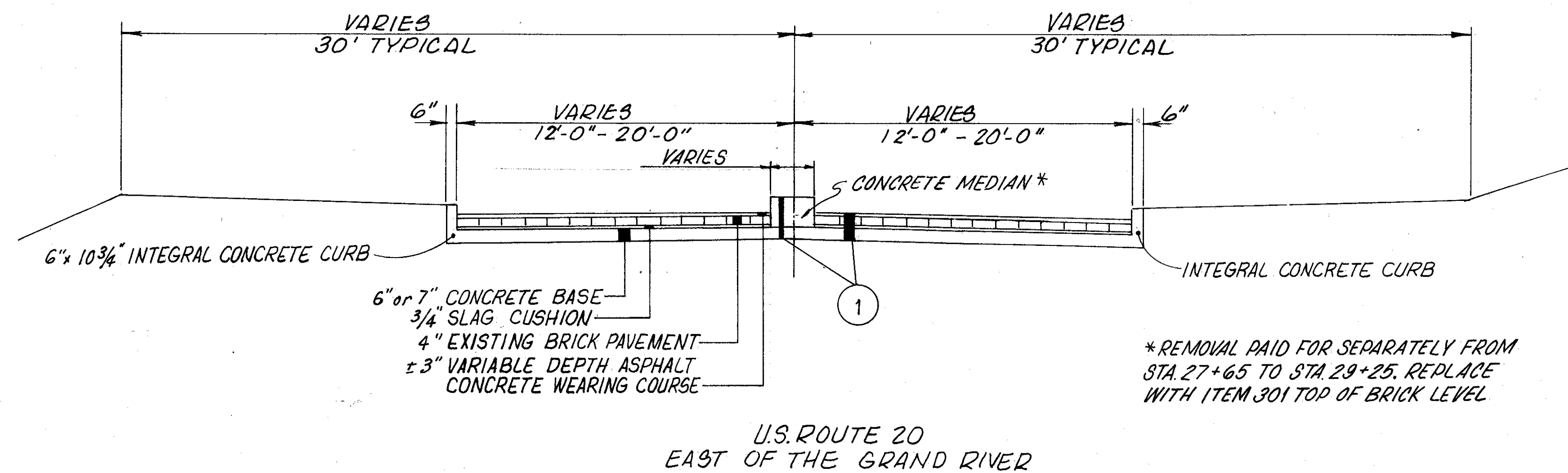
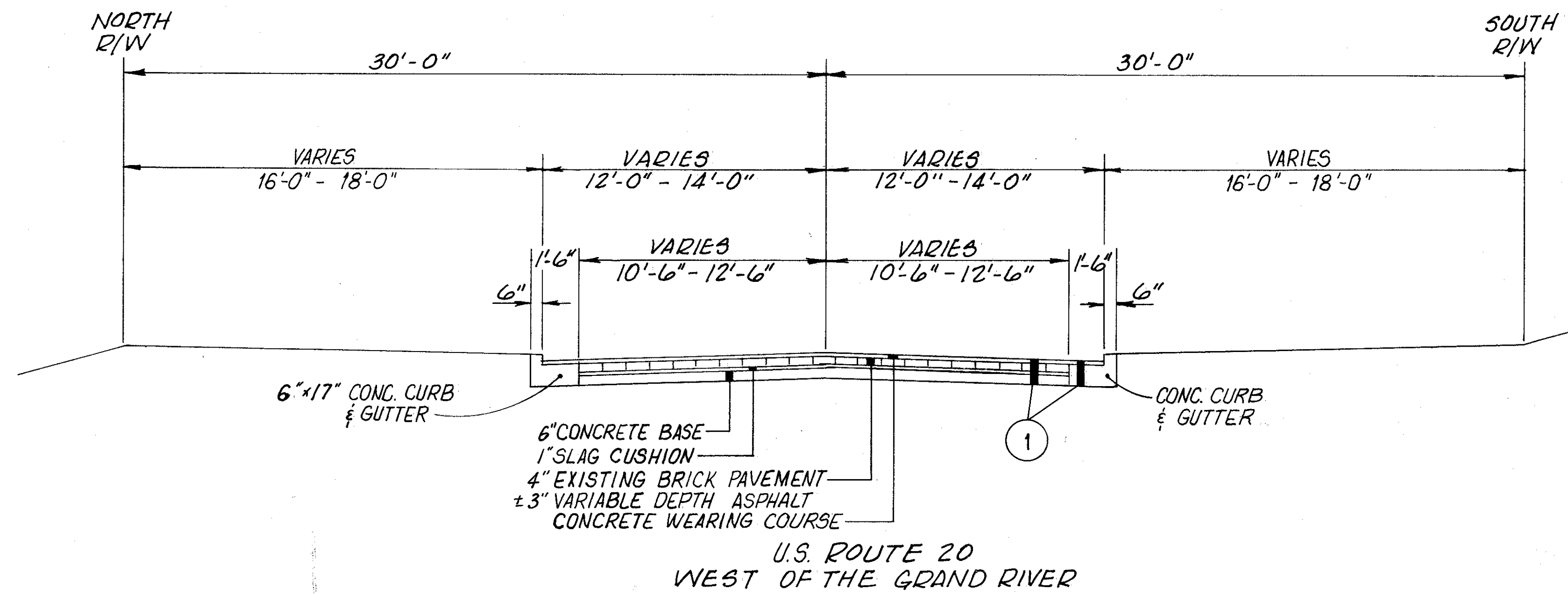


EXISTING TYPICAL SECTIONS

FED. REGION	STATE	PROJECT
5	OHIO	

5
86

LAKE COUNTY
LAK-20-17.14



LEGEND
① 202 PAVEMENT REMOVED

SCALE *As Shown* WOODRUFF, INC.
MADE *MLC* DATE *9/84*
TRCD *ELK* DATE *9/84* CONSULTING ENGINEERS
CED *MLC* DATE *1/85* CLEVELAND OHIO