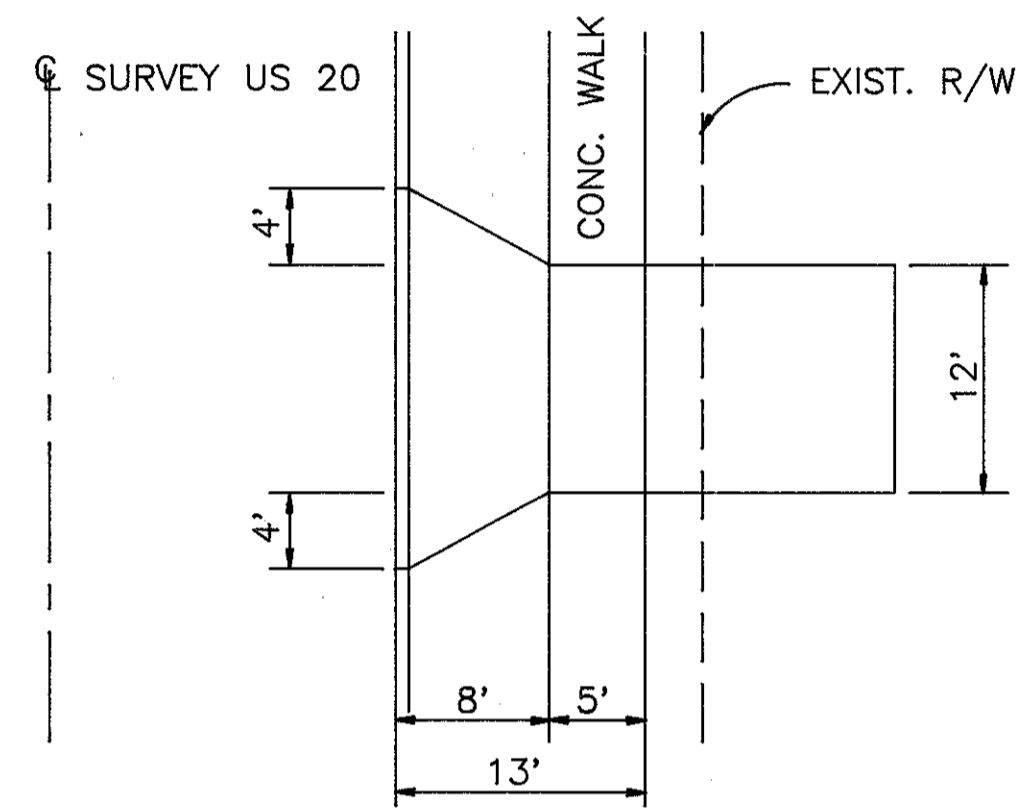


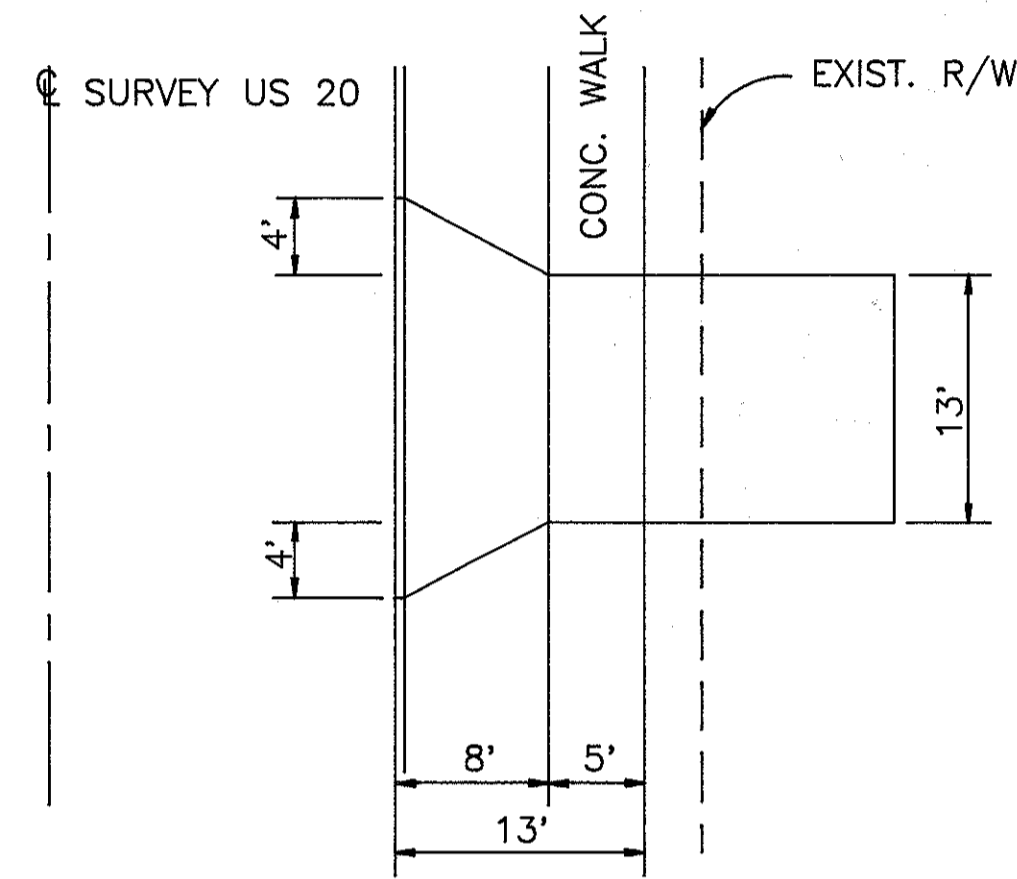
FHWA REGION	STATE	PROJECT	
5	DHID	NH-69(123)	

9
15

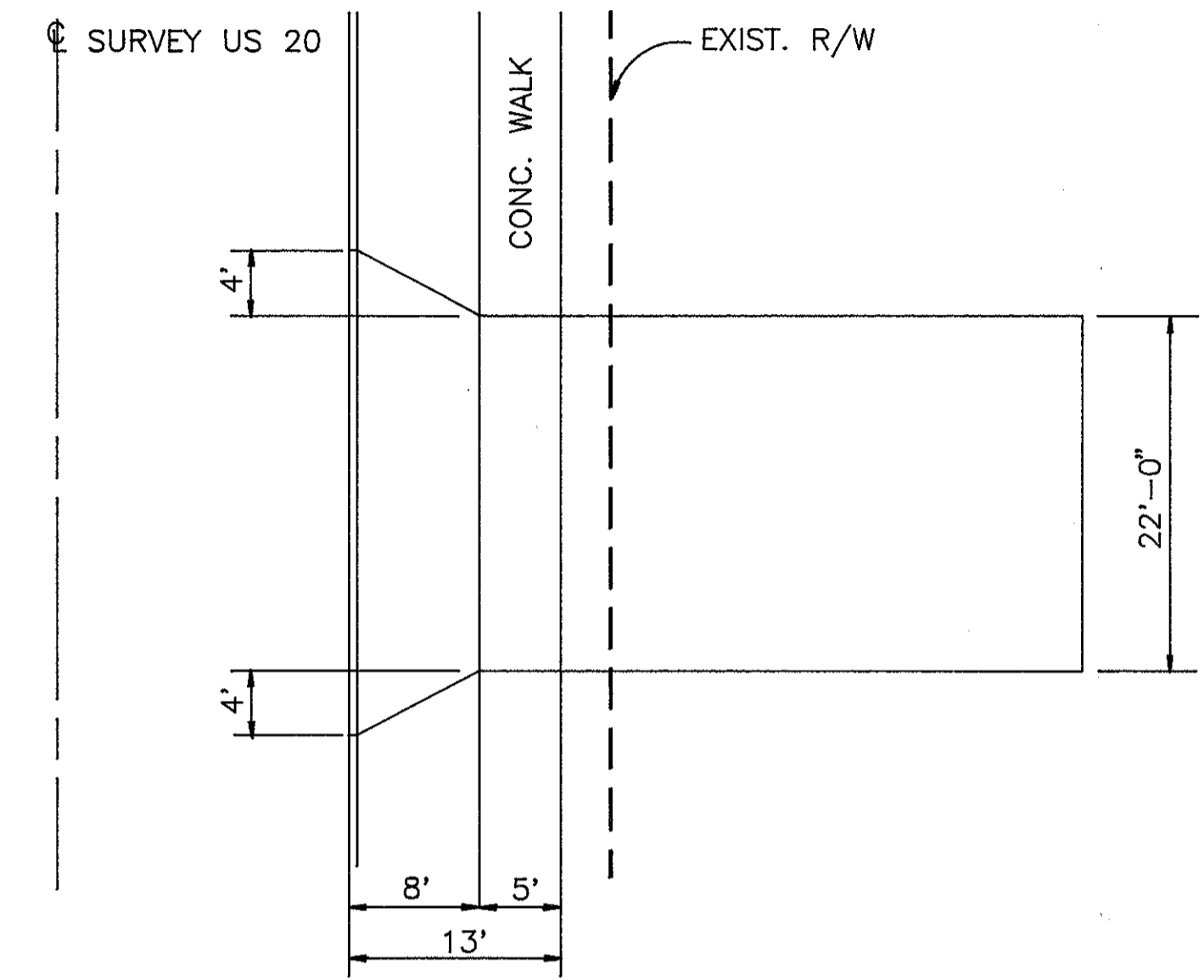
LAKE COUNTY
LAK-20-15.58



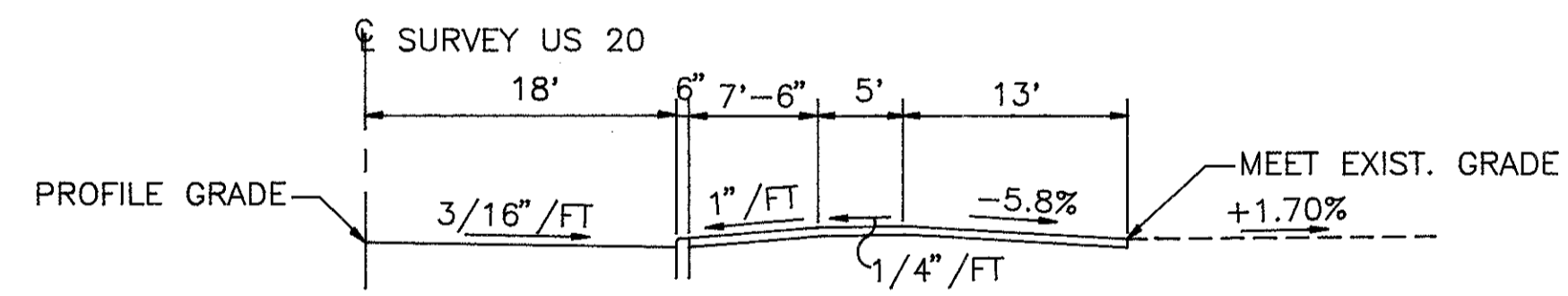
PLAN



PLAN

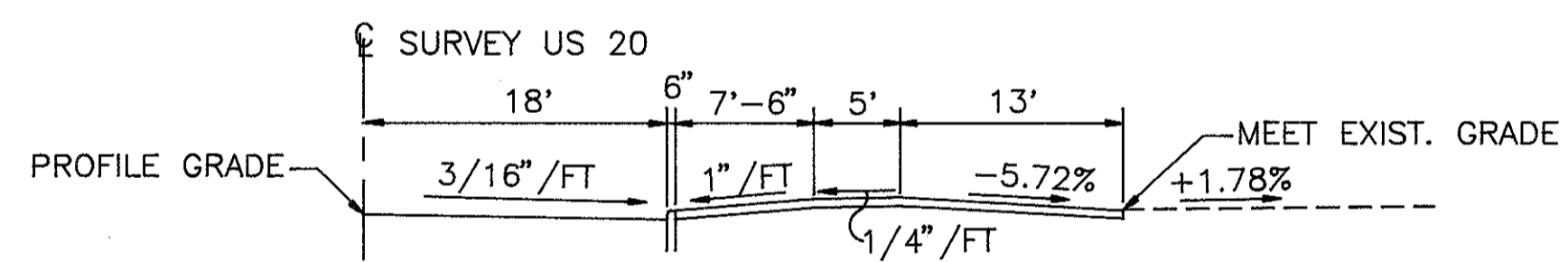


PLAN



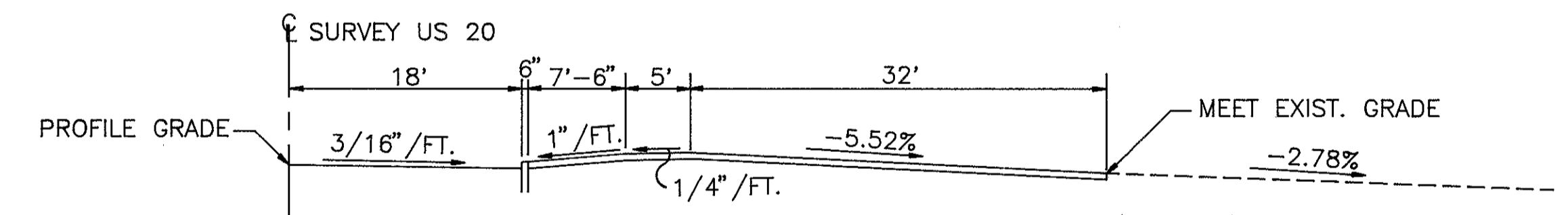
PROFILE

DRIVE STATION 822 + 64.00 LT.



PROFILE

DRIVE STATION 823 + 67.50 LT.



PROFILE

DRIVE STATION 822 + 62.50 RT.

FOR DETAILS NOT SHOWN SEE STANDARD CONSTRUCTION DRAWINGS

- APRON: ITEM 452 - 6" PLAIN PORTLAND CEMENT CONCRETE
- DRIVEWAY: ITEM 404 - 1" ASPHALT CONCRETE
- ITEM 301 - 4" BITUMINOUS AGGREGATE BASE

FOR QUANTITY CALCULATION SEE SHEET No. 4

