

TYPICAL SECTION
to be used
from Sta 437+95 to Sta 469+15

All dowels and edge bars shall be supported by chairs, of an approved type. All dowels and edge bars to be 3/4\"/>

Contractor to provide for and maintain traffic at all times over existing roadbed or portions of newly constructed pavement.

Contractor to erect and maintain lights, signs and barricades and provide an ample number of watchmen at all times

The Contractor shall maintain two way traffic on this project up until the time of placing bituminous pavement. From then on until this portion is completed west bound traffic may be detoured if deemed advisable by the engineer.

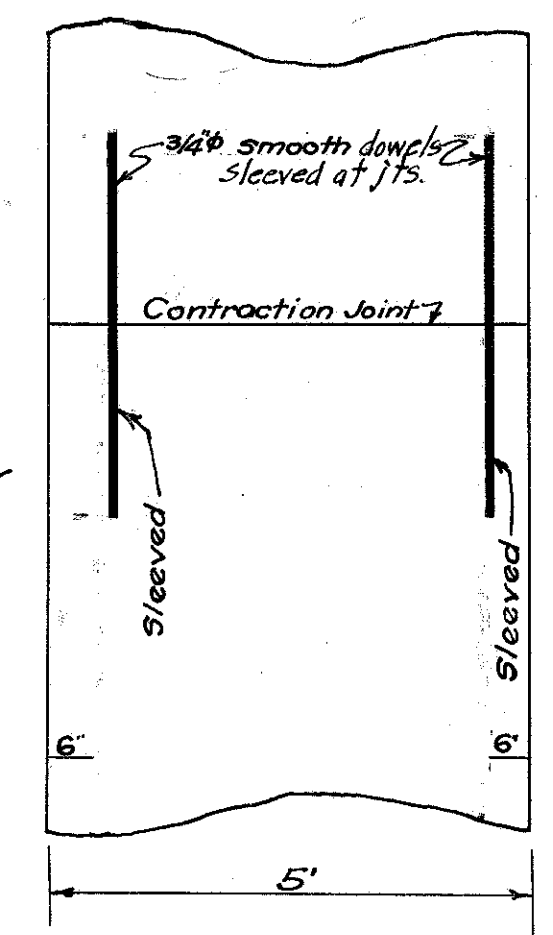
The contractor shall protect his work and traffic at all times by providing at least two watchmen. He shall also maintain lights not to exceed 300 ft. apart along the work and all other necessary lights, signs and barricades required to insure proper protection at all times.

Suitable bridges to provide outlets for traffic to be built at intersecting roads and driveways as directed by the engineer.

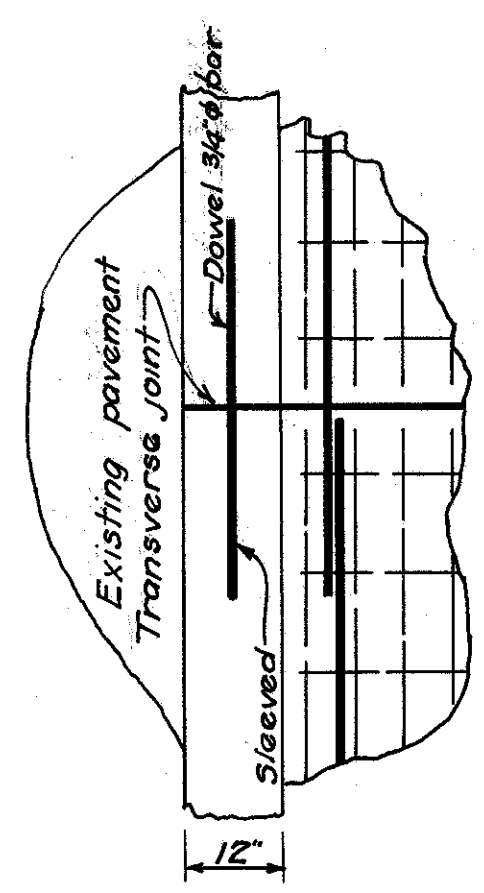
Existing pavement damaged by the contractor in removing old gutter curb or any other negligence to be repaired by the contractor at his own expense

Waste excavation to be dumped by contractor on land abutting the improvement as requested by land owners. Haul not to exceed 200' from sideline of road. Cost to be included in price bid for excavation.

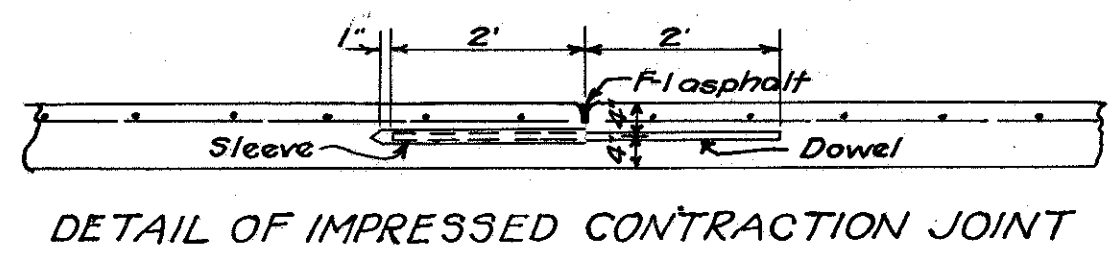
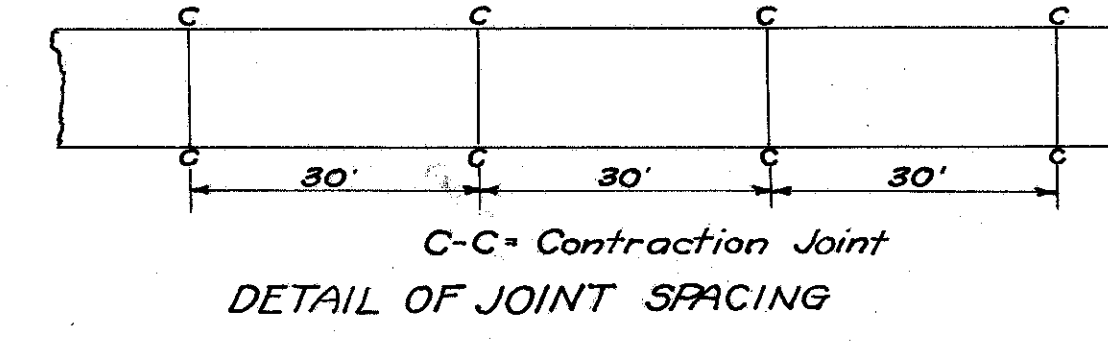
The aggregates to be used on this project shall come from a plant erected at the site of the material deposits from which the bidder proposes to furnish this material and producing aggregates prior to the date of receiving bids on this contract and such plant shall be equipped and the deposit be of such nature that the aggregates can be furnished in a satisfactory manner both as to quality and quantity.



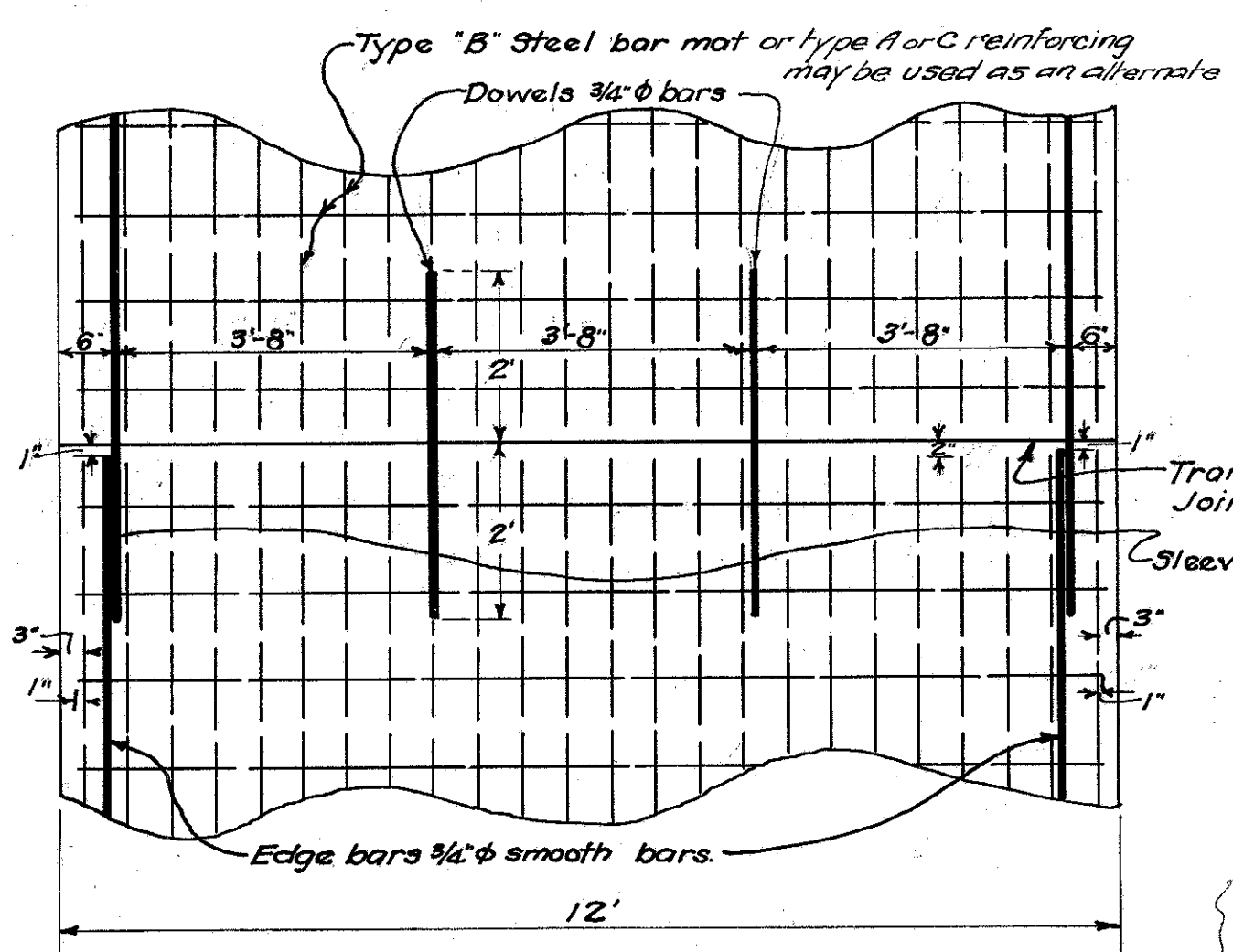
Detail of Joint + Dowel bars in 5' strip on left.



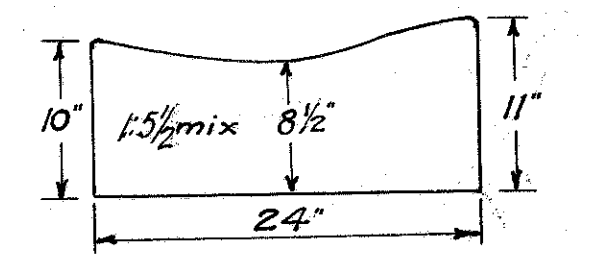
Transverse Joint in 12' strip to be of same type and in line with joint in 12' strip



DETAIL OF IMPRESSED CONTRACTION JOINT

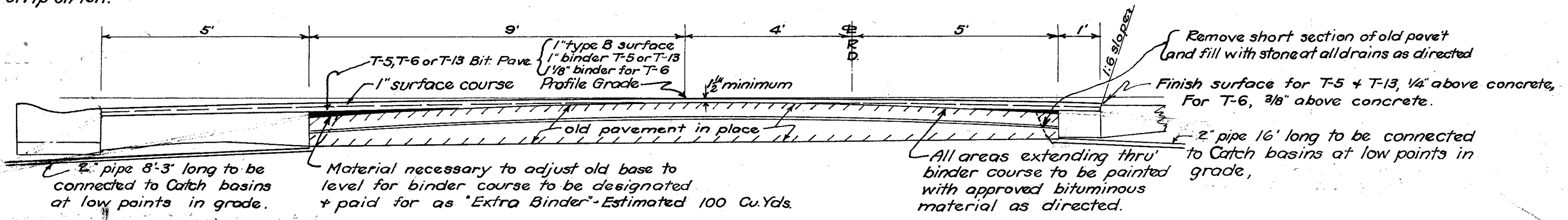


PLAN OF JOINT
STD. DRWG. 95

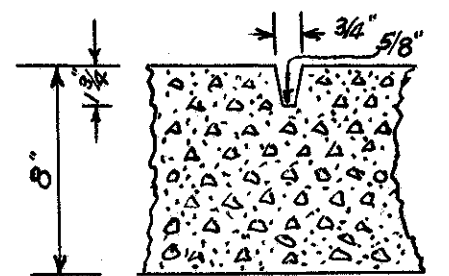


Section of Gutter Curb where new is required. Estimated 2100' required.

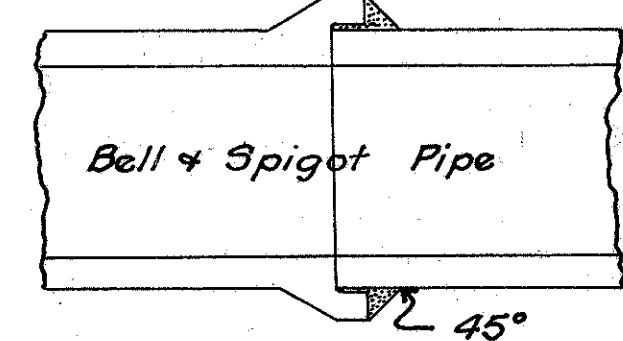
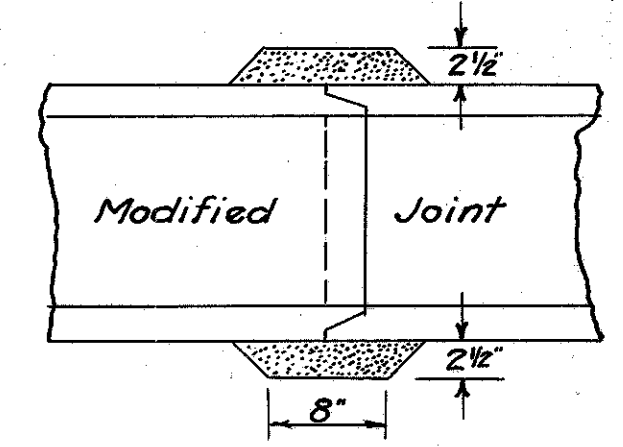
Ex. as to bituminous Construction Sta. 7-21-32



TYPICAL SECTION FOR RESURFACING WITH ITEMS T-5, T-6 OR T-13.



Detail of Drainage Channel to be placed at Catch Basins as directed.



Reinf. Conc. Pipe used as an alternate for V.S.P. encased shall be cemented as shown in the accompanying sketch. When V.S.P. is not encased Reinf. Conc. Pipe will not be cemented.