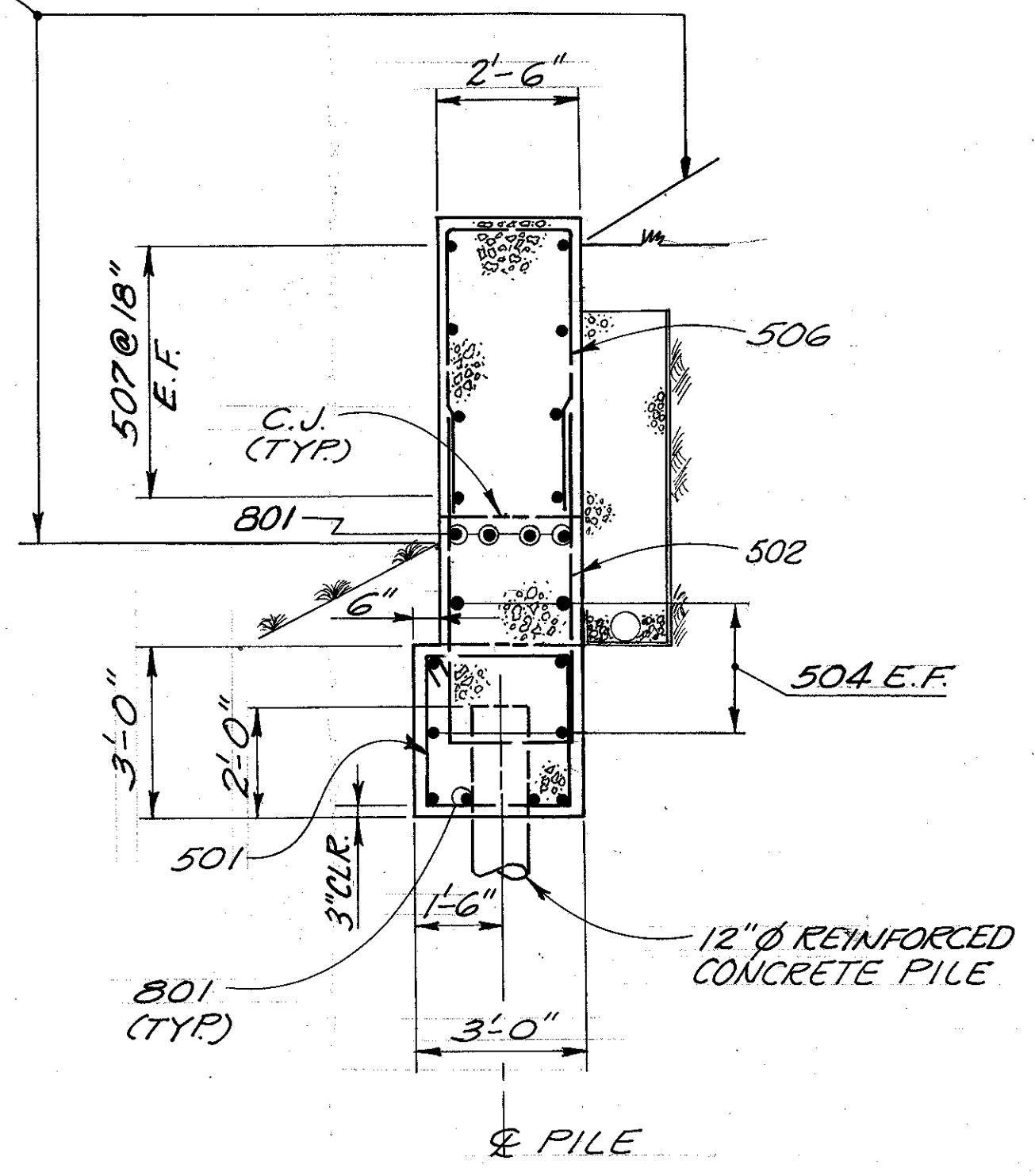
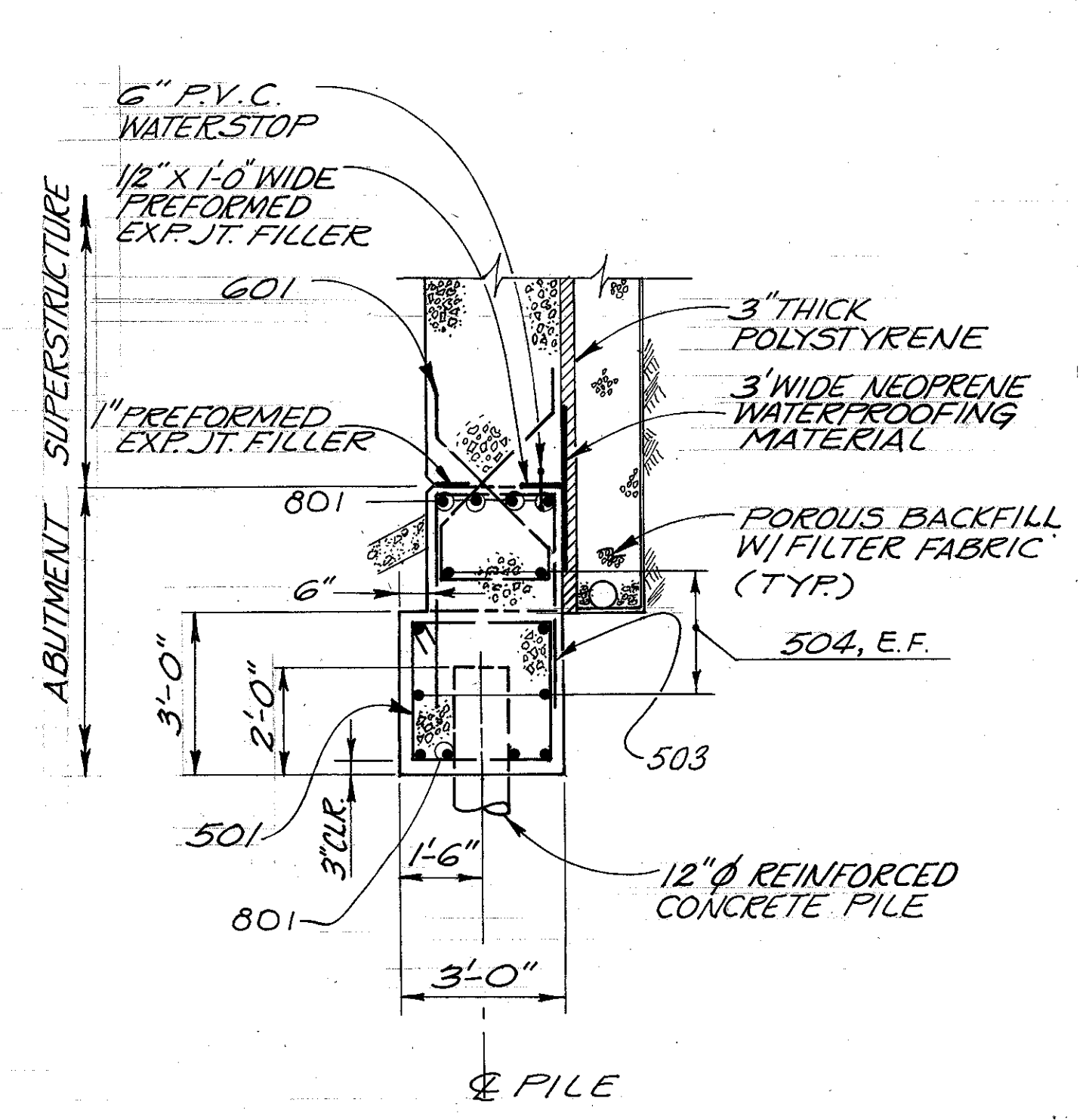


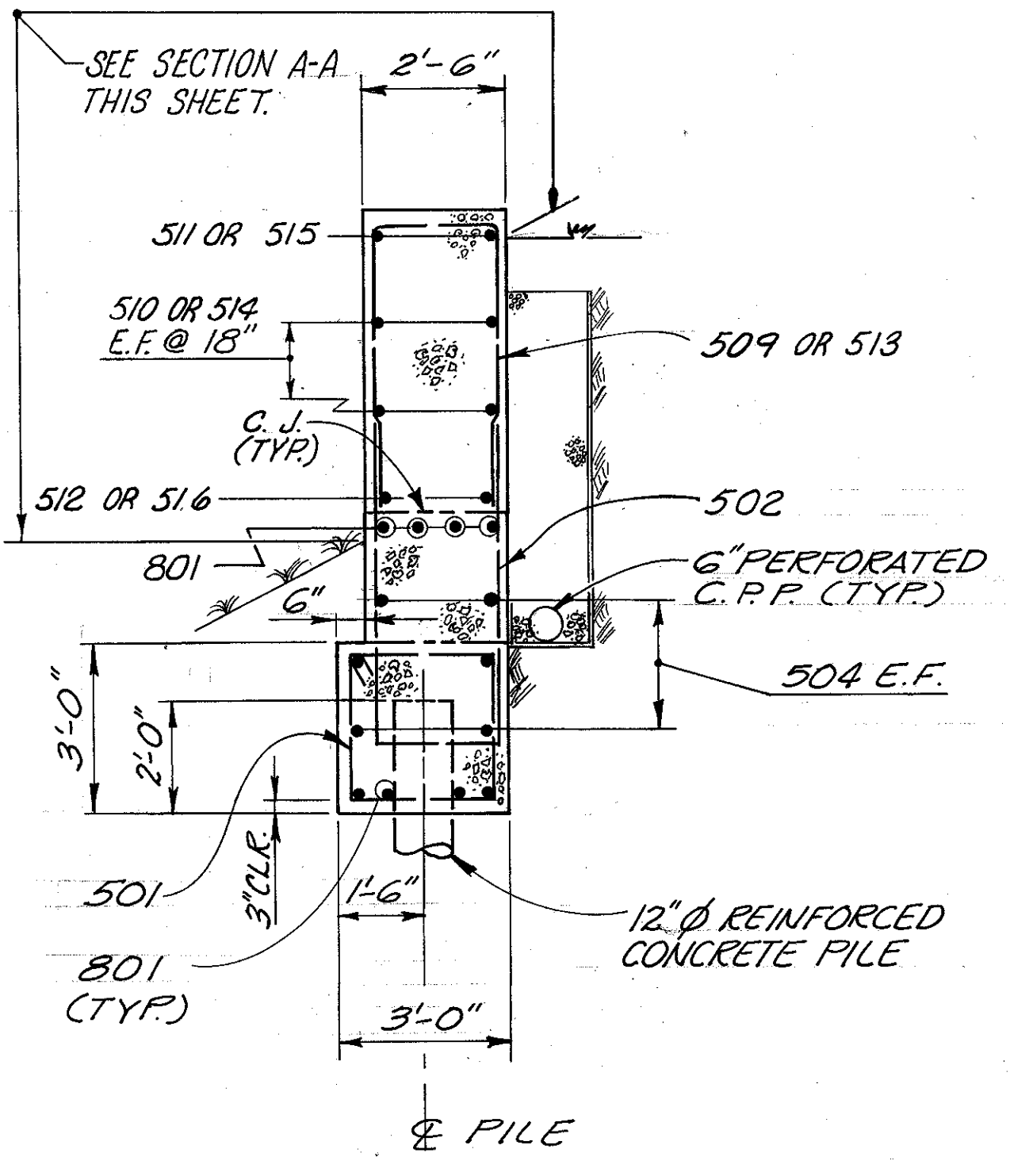
LIMITS OF CONCRETE SEALER (NON-EPOXY) SEE NOTES, SHEET 3/24.



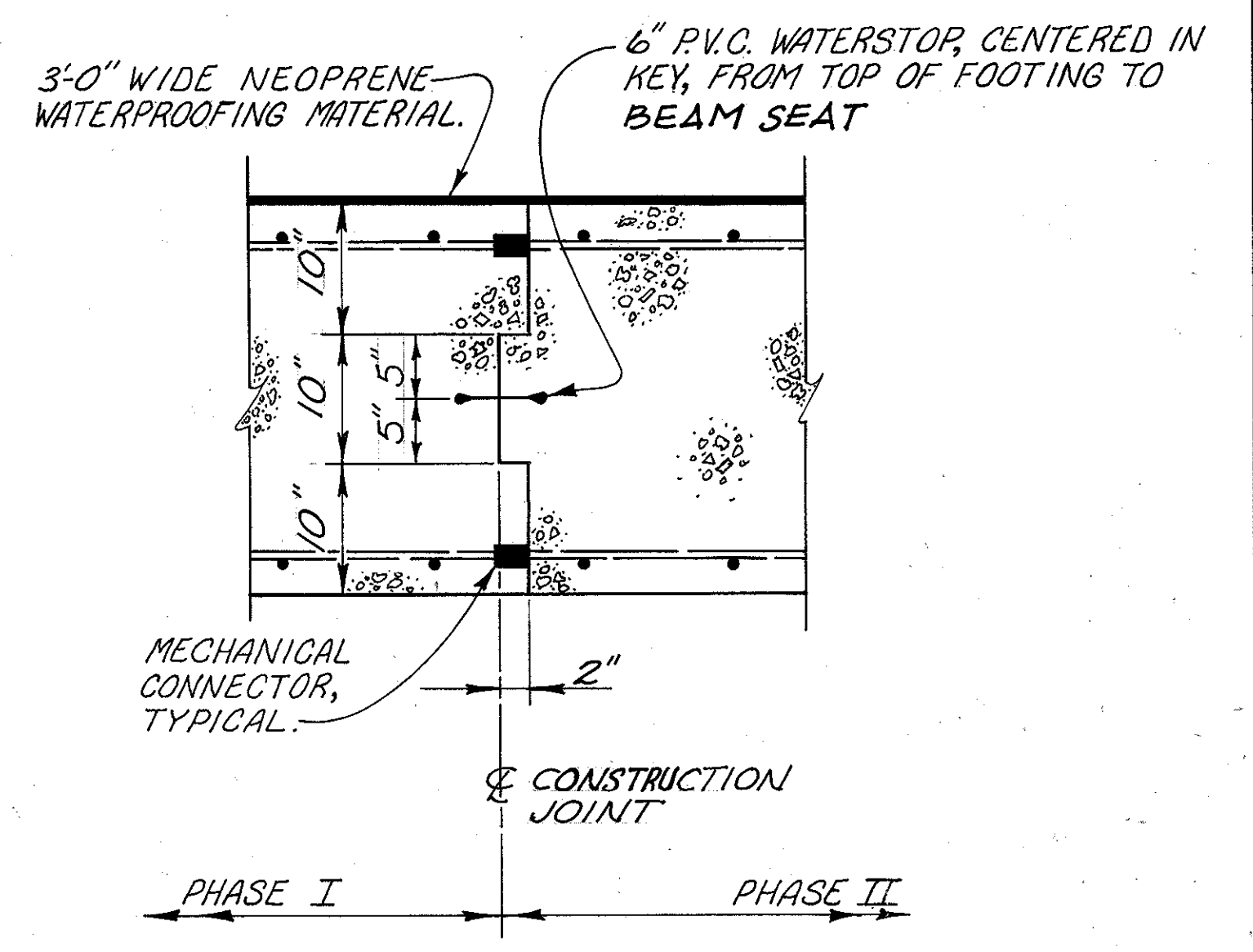
SECTION A-A



SECTION B-B

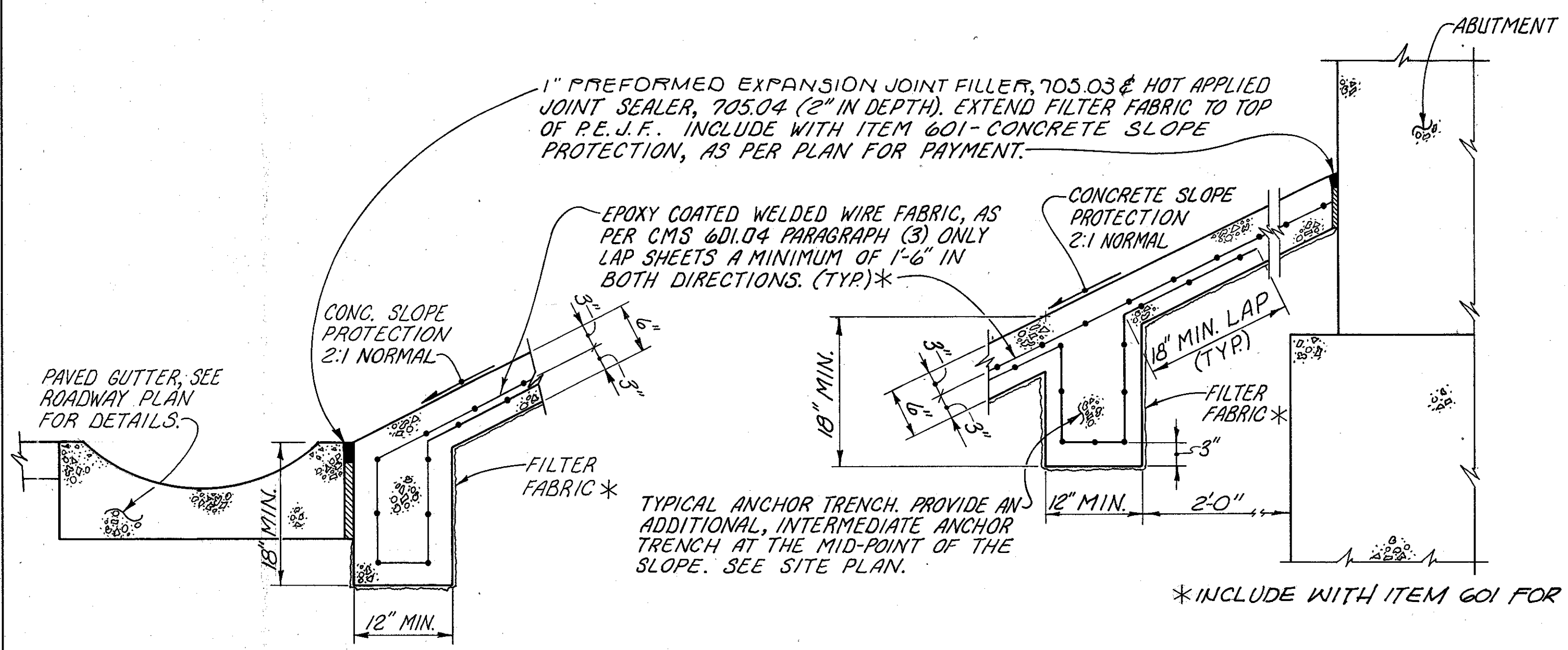


SECTION C-C



CONSTRUCTION JOINT DETAIL

NOTES
FOR ABUTMENT NOTES SEE SHEET 10/24.



TOE WALL DETAIL
(LOCATED AT BOTTOM OF SLOPE)

DETAIL AT ABUTMENT

ITEM 601 - CONCRETE SLOPE PROTECTION, AS PER PLAN
THIS ITEM INCLUDES THE FURNISHING OF ALL MATERIALS, LABOR, EQUIPMENT AND INCIDENTALS NECESSARY TO COMPLETELY INSTALL THE CONCRETE SLOPE PROTECTION AS SHOWN IN THE PLANS AND SHALL BE INCLUDED IN THE UNIT PRICE BID PER SQUARE YARD FOR ITEM 601 - CONCRETE SLOPE PROTECTION, AS PER PLAN.
SLOPE PROTECTION SUBGRADE SHALL BE PREPARED IN ACCORDANCE WITH ITEM 203.

*INCLUDE WITH ITEM 601 FOR PAYMENT

CONCRETE SLOPE PROTECTION DETAILS

adache-ciuni-lynn
associates
CONSULTING ENGINEERS

DATE 4/94
REVIEWED AJM
DRAWN HBM
DESIGNED JCC
STRUCTURE FILE NUMBER
CHECKED JMJ

ABUTMENT DETAILS
BRIDGE NUMBER LAK-2-0955 L/R
OVER STATE ROUTE 615

LAK-2-9.46

12/24

59
71