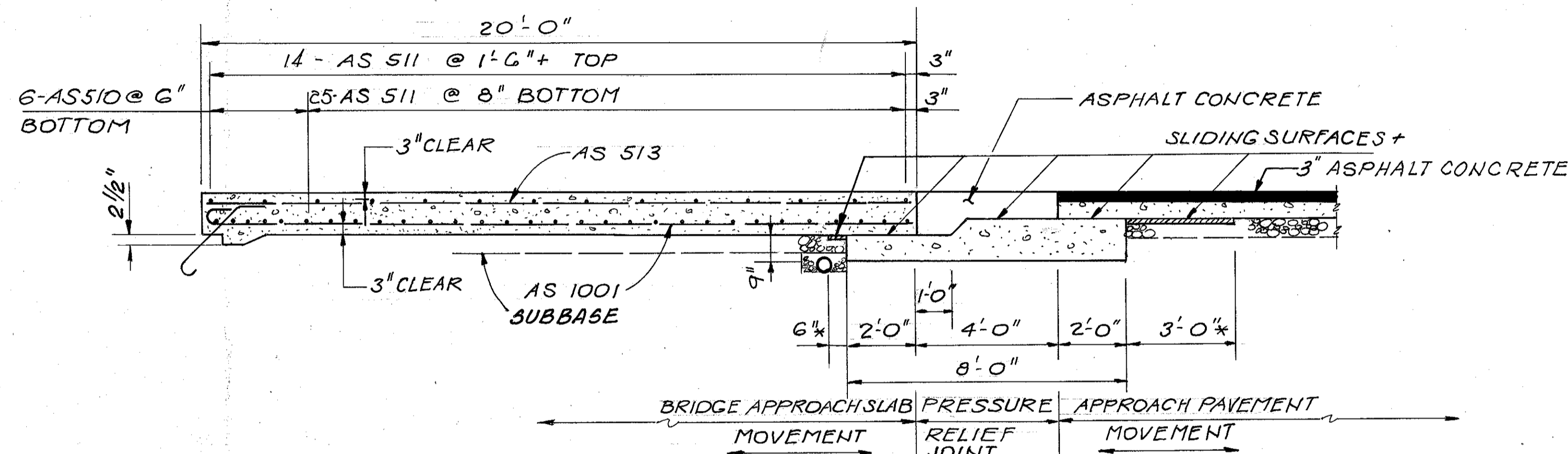


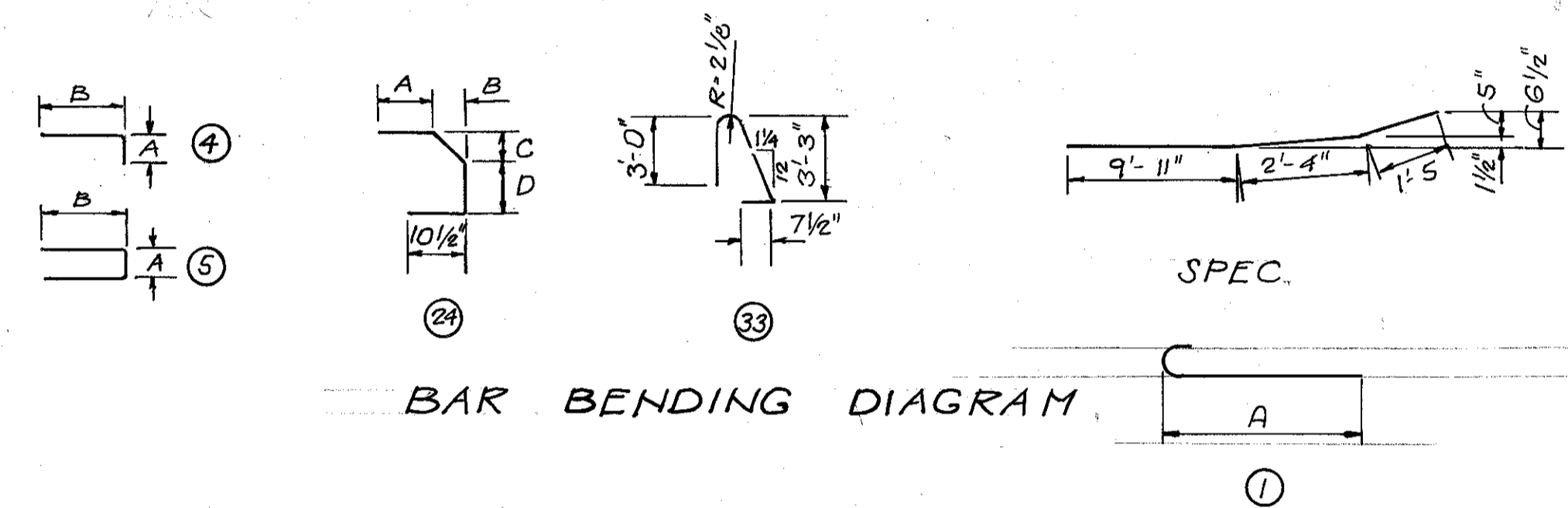
**SECTION F-F**

**NOTE:**  
ITEM 304 AGGREGATE BASE,  
PER TYPICAL SECTION ON SHT. NO. 4,  
NOT DEPICTED.



**SECTION G-G**

REFER TO STANDARD DRAWING BP-2.3  
FOR ADDITIONAL DETAILS PERTAINING TO  
THE CONSTRUCTION OF THE PRESSURE  
RELIEF JOINT TYPE A, AS PER PLAN.



BAR BENDING DIAGRAM

**APPROACH SLAB REINFORCING SCHEDULE**

MARK	NUMBER REQUIRED			LENGTH FT. IN.	TYPE	DIM A FT. IN.	DIM B FT. IN.	DIM C FT. IN.	DIM D FT. IN.	INCREMENT FT. INCHES	WEIGHT (LBS.)
	PHASE I	PHASE II	TOTAL								
AS 501	48	48	96	3 5	24	0 10	0 6	8 1/2"	1' 1/2"		342
AS 502	16	16	32	2 6	4	0 10	1 9				83
AS 503	16	16	32	6 11	33						831
AS 504	4 BAR 7 BARS	4 BAR 7 BARS	8 BAR 14 BARS	8 6 7 5	5	0 5 11 1/2"	4 2 3 4			0 2 3/16"	465
AS 505	8	8	16	7 5	5	11 1/2"	3 4				124
AS 506	4	4	8	7 0	5	0 7	3 4				58
AS 507	24	24	48	19 6	STR						976
AS 508	8	8	16	7 8	STR						128
AS 509	8	8	16	13 8	SPEC						228
AS 510	180		180	26 3	STR						4928
AS 511		180	180	30 5	STR						5710
AS 512	8	8	16	5 8	STR						95
AS 513	72	84	156	19 6	STR						3173
AS 514	8	8	16	13 6	STR						225
AS 1001	168	192	360	20 11	1	19 6					32,402
										TOTAL WEIGHT	T

+ INCLUDED WITH APPROACH  
SLAB FOR PAYMENT