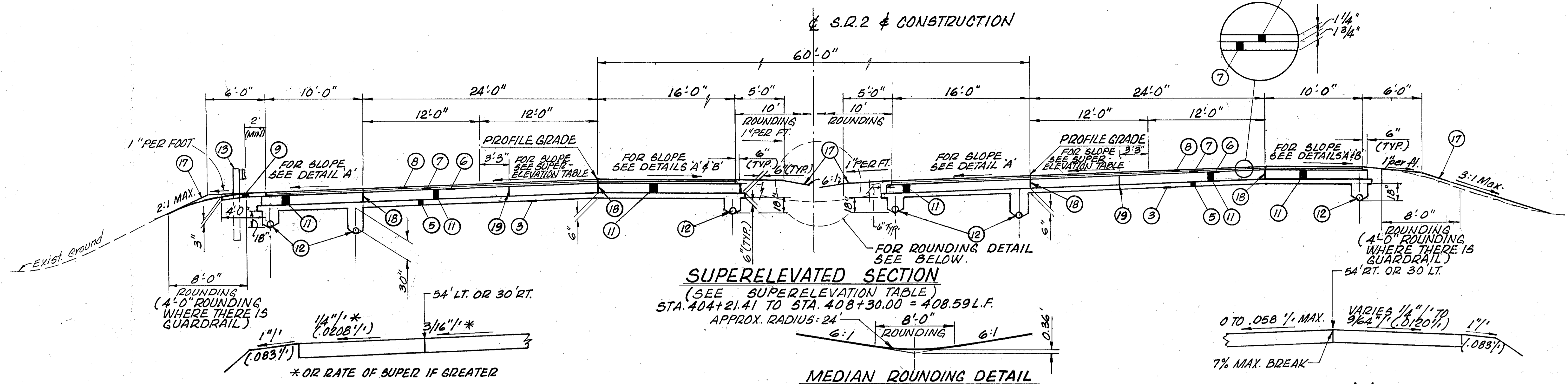


TYPE 446 ON 451

CALCULATED
J.J.P.
CHECKED
J.K.F.

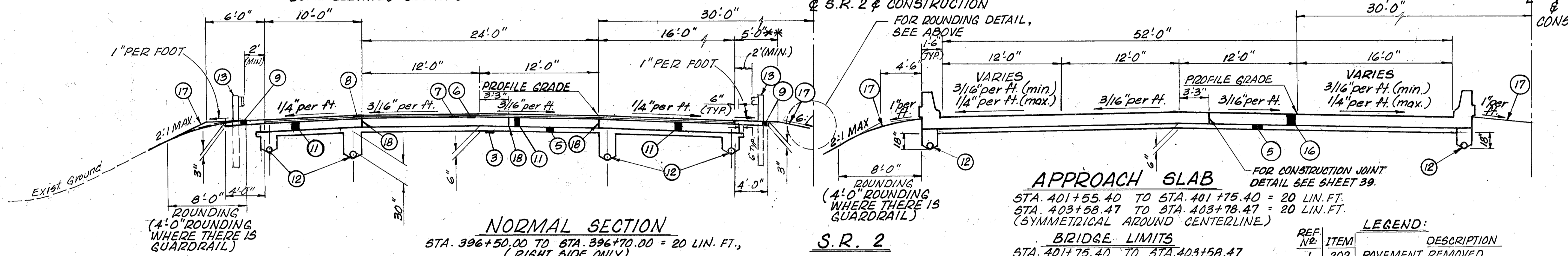


DETAIL 'A'

LOW SIDE OF SUPERELEVATED SECTIONS

DETAIL 'B'

HIGH SIDE OF SUPERELEVATED SECTIONS



NOTE:
UNDERDRAIN DEPTHS (S.R.2)
EDGE OF PAV'T.: 30" BOTTOM OF SUBBASE TO TOP OF PIPE;
EDGE OF BERM AND EDGE OF APPROACH SLAB: 18" BOTTOM OF SUBBASE TO BOTTOM OF PIPE.

REF. NO.	ITEM	DESCRIPTION
1	202	PAVEMENT REMOVED
1A	202	GUARDRAIL REMOVED
2	203	EXCAVATION NOT INCLUDING EMBANKMENT CONSTRUCTION
3	203	SUBGRADE COMPACTION
4		NEAT SAW CUT, FULL DEPTH
5	304	6" AGGREGATE BASE, AS PER PLAN
6	407	TACK COAT
7	446	1 3/4" ASPHALT CONCRETE, INTERMEDIATE COURSE, TYPE 2, AC-20
8	446	1 1/4" ASPHALT CONCRETE, SURFACE COURSE, TYPE 1, AS PER PLAN, AC-20
9	448	3" ASPHALT CONCRETE, INTERMEDIATE COURSE, TYPE 1 (UNDER GUARDRAIL), AS PER PLAN
10	451	9" REINFORCED CONCRETE PAVEMENT
11	451	11" REINFORCED CONCRETE PAVEMENT, AS PER PLAN
12	605	6" PIPE UNDERDRAIN WITH FABRIC WRAP
13	606	GUARDRAIL, TYPE 5
13A	606	GUARDRAIL, TYPE 5A
14	608	4" CONCRETE WALK
15	609	CURB, TYPE 2A, AS PER PLAN
16	611	REINFORCED CONCRETE APPROACH SLAB (T=13") AS PER PLAN
17	659	SEEDING AND MULCHING
18		STANDARD LONGITUDINAL JOINT WITHOUT TIE BARS
19		STANDARD LONGITUDINAL JOINT WITHOUT TIE BARS

LEGEND:

CONCRETE COLUMN TO BE REMOVED
FOR LEGEND OF EXISTING ITEMS, SEE SHEET No. 3

TYPICAL SECTION (WITH ISLAND)

S.R. 615

ITEM 601-PAVED GUTTER, TYPE 2, AS PER PLAN FOR DETAILS SEE STD. CONST. DRAWINGS MC-5

TYPICAL SECTIONS

LAK-2-9.46

4
71