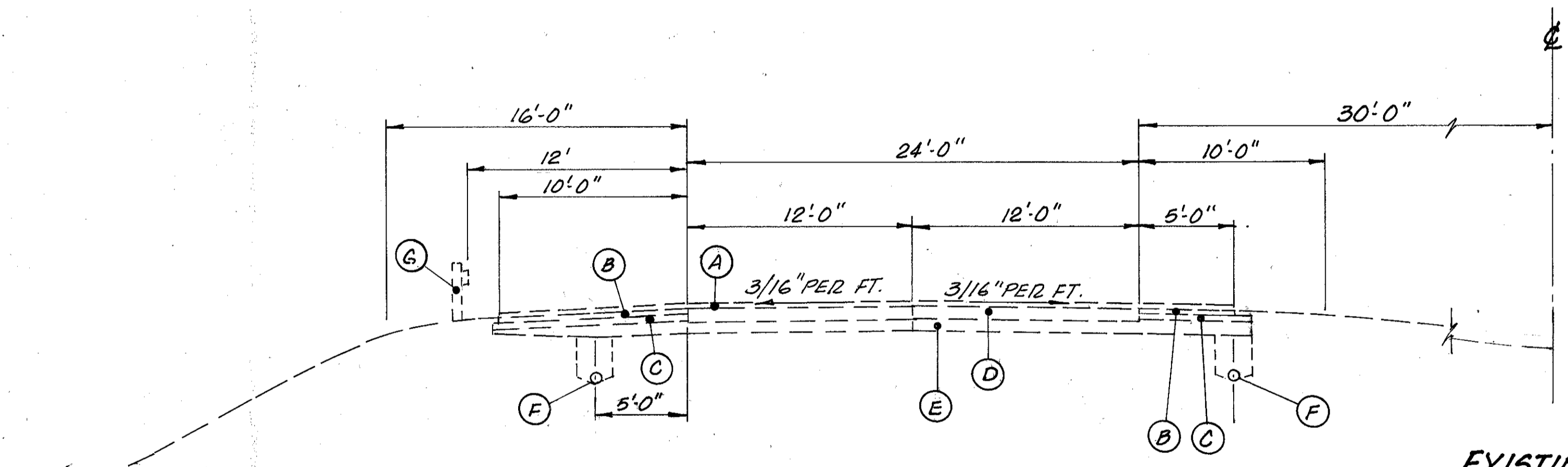


EXISTING SUPERELEVATED SECTION
STA. 404+50.00 TO STA. 415+00.00

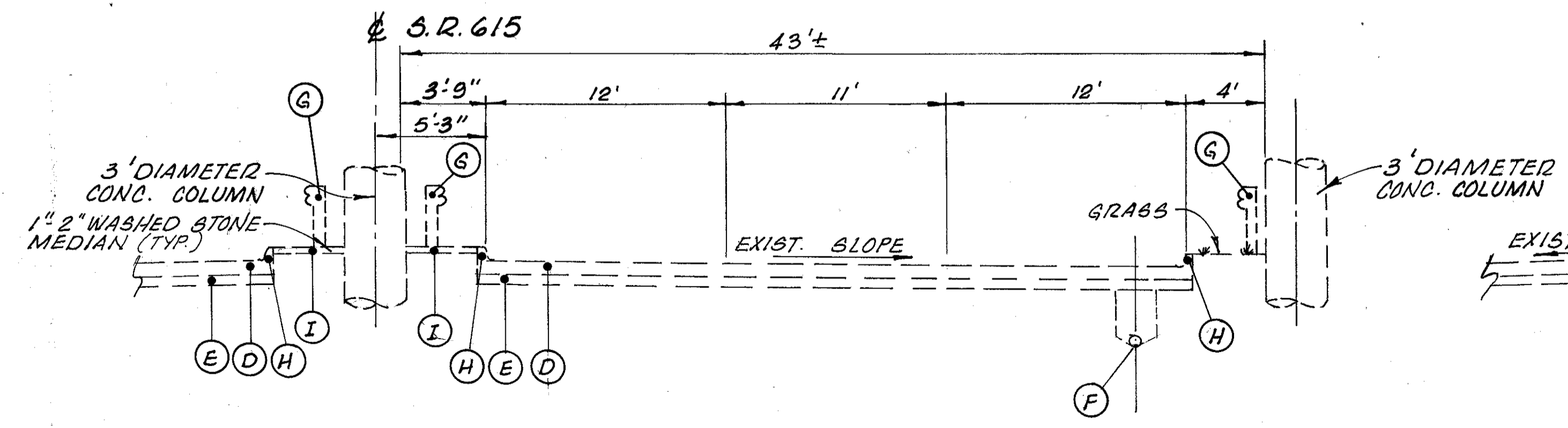


EXISTING NORMAL SECTION
STA. 390+00.00 TO STA. 401+49.70
25 FT. APPROACH SLABS
STA. 403+75.18 TO STA. 404+50.00
(SYMMETRICAL AROUND CENTERLINE)
BRIDGE LIMITS
STA. 401+74.70 TO STA. 403+50.18

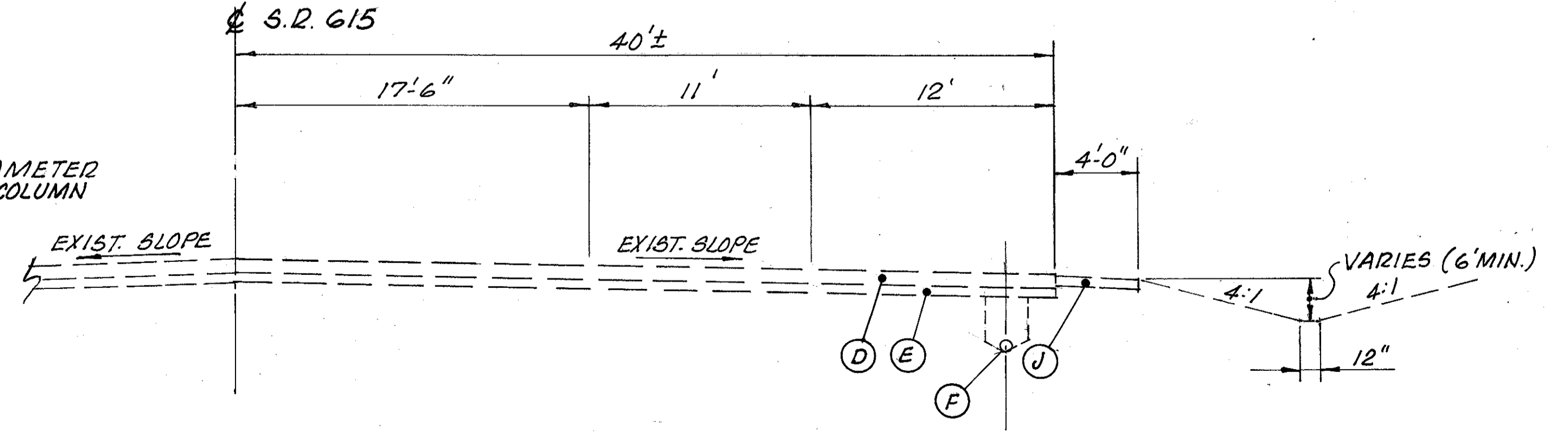
LEGEND:

EXISTING ITEMS:

- A. ASPHALT OVERLAY
- B. 3" BITUMINOUS MACADAM BASE COURSE
- C. 5" STABILIZED CRUSHED AGGREGATE
- D. REINFORCED CONCRETE PAVEMENT S.R.2 = 10"
S.R.615 = 9"
- E. 6" SUBBASE
- F. 6" PIPE UNDERDRAIN
- G. GUARDRAIL
- H. CURB
- I. STONE MEDIAN
- J. 8" STABILIZED CRUSHED AGGREGATE SHOULDER



EXISTING TYPICAL SECTION (WITH ISLAND)
(SYMMETRICAL AROUND CENTERLINE)
S.R. 615



EXISTING TYPICAL SECTION (WITHOUT ISLAND)
(SYMMETRICAL AROUND CENTERLINE)
S.R. 615