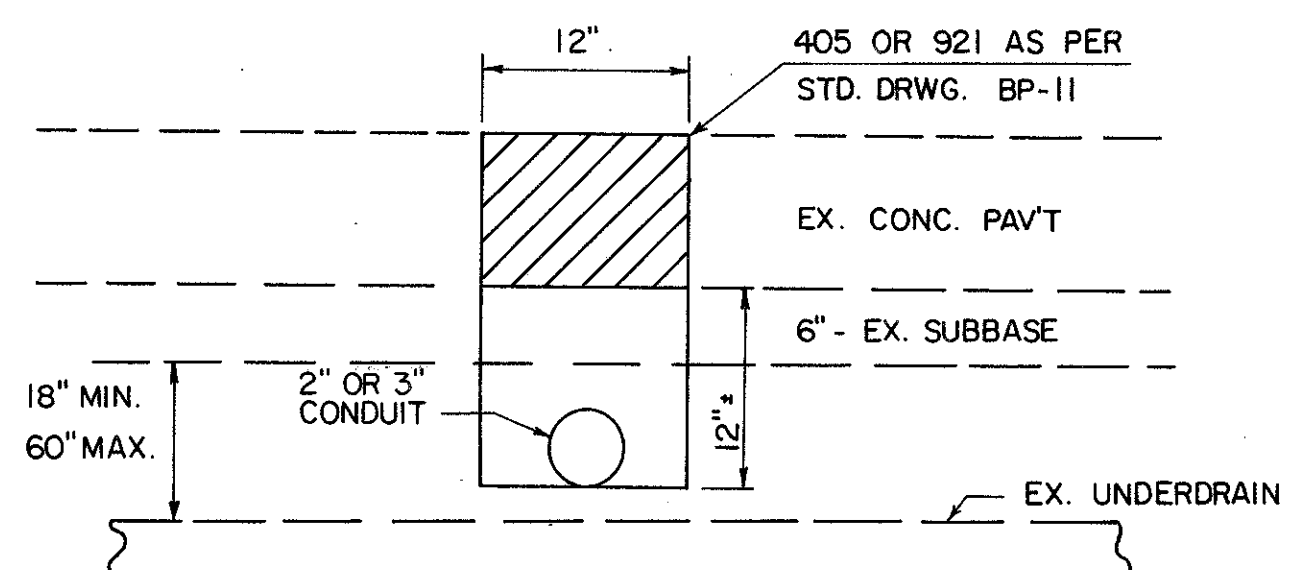
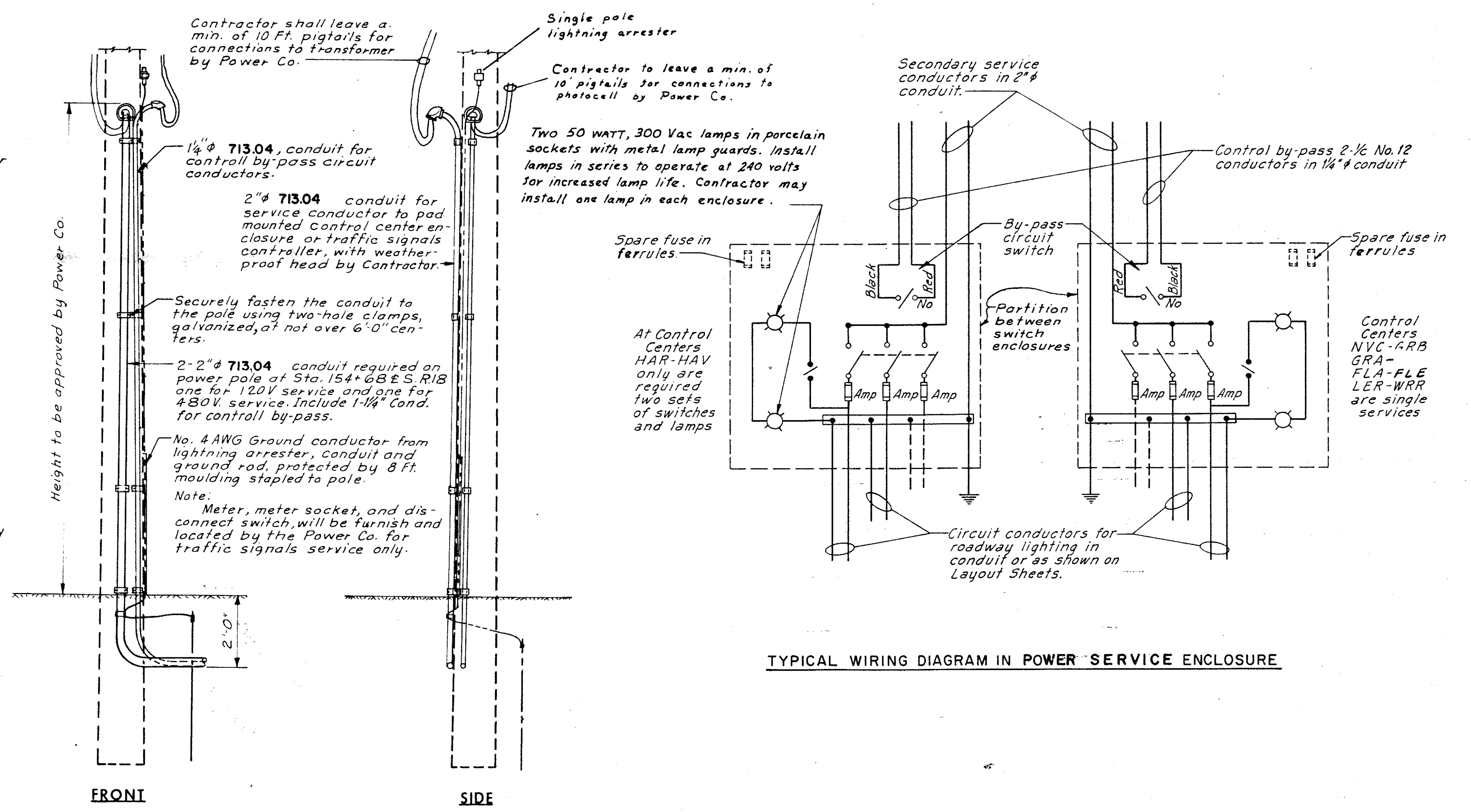
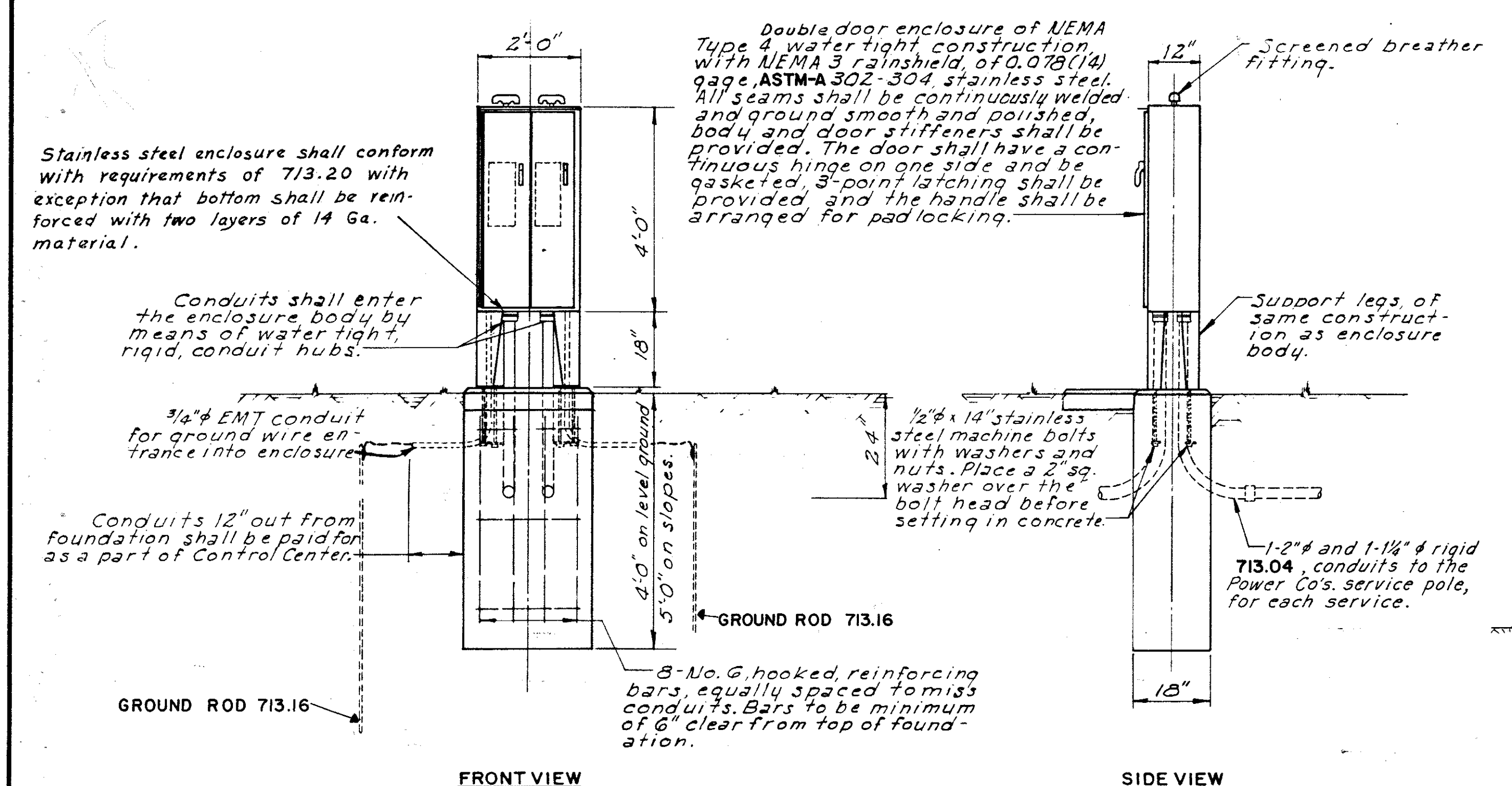


Notes:
See "Lighting Layout" sheets for direction and placement of conduits out of foundation.
Spacing and placement of anchor bolts in foundation is dependent upon the enclosure manufacturers dimensions.
Enclosure dimensions are inside measurements.



NOTE: CONTRACTOR SHALL USE EXTREME CAUTION WHEN PLACING CONDUIT SO AS NOT TO DAMAGE EXISTING UNDERDRAINS. ANY UNDERDRAINS DAMAGED DUE TO CONTRACTOR'S NEGLECT SHALL BE REPLACED AT NO ADDITIONAL COST TO THE STATE.



TYPICAL WIRING DIAGRAM IN POWER SERVICE ENCLOSURE