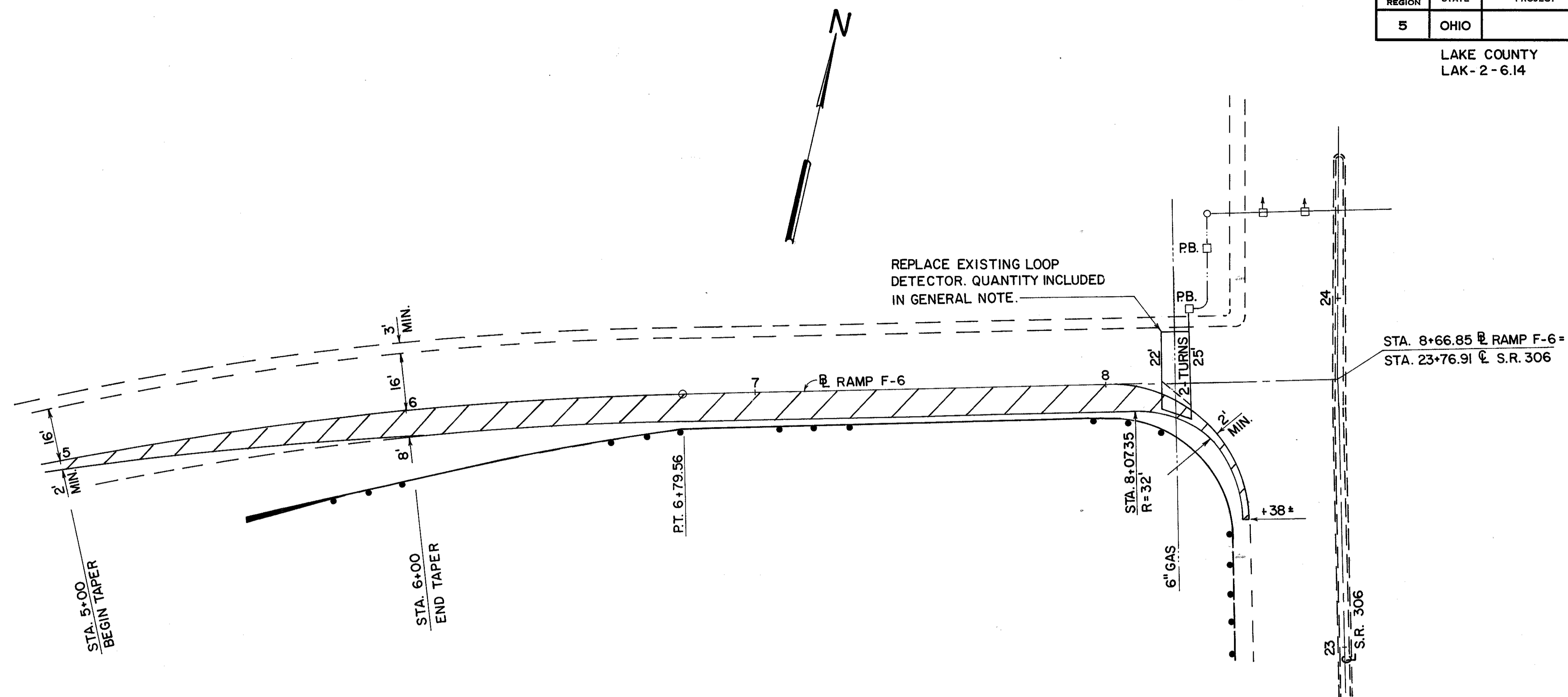


FHWA REGION	STATE	PROJECT	
5	OHIO		

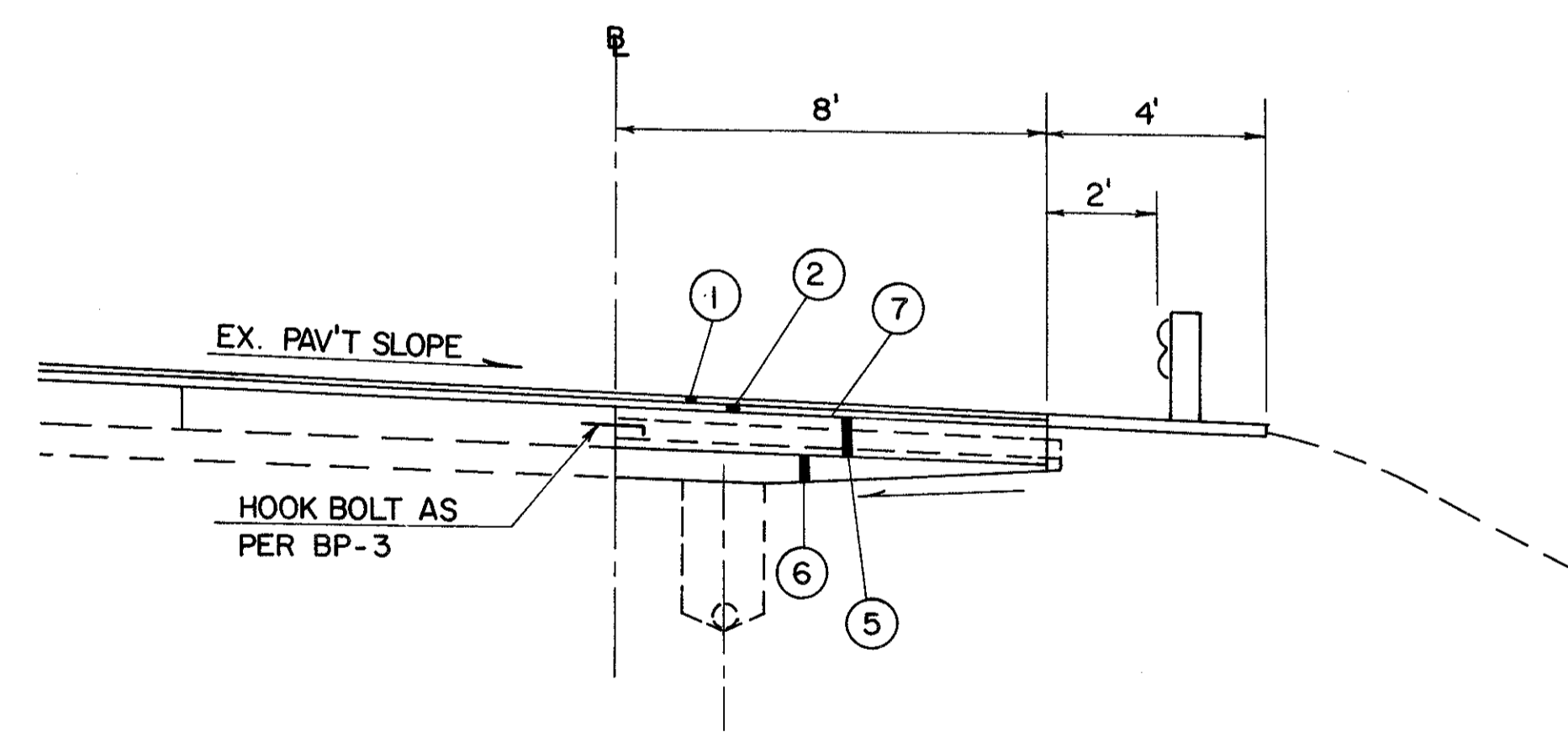
42  
153

LAKE COUNTY  
LAK-2-6.14



REPLACE EXISTING LOOP  
DETECTOR. QUANTITY INCLUDED  
IN GENERAL NOTE.

STA. 8+66.85 @ RAMP F-6 =  
STA. 23+76.91 @ S.R. 306



NOTE: FOR WIDENING QUANTITIES SEE SHEET N° 40.

TYPICAL SECTION  
RAMP F-6  
STA. 5+00 TO STA. 8+40.35  
FOR LEGEND SEE SHEET N° 40.