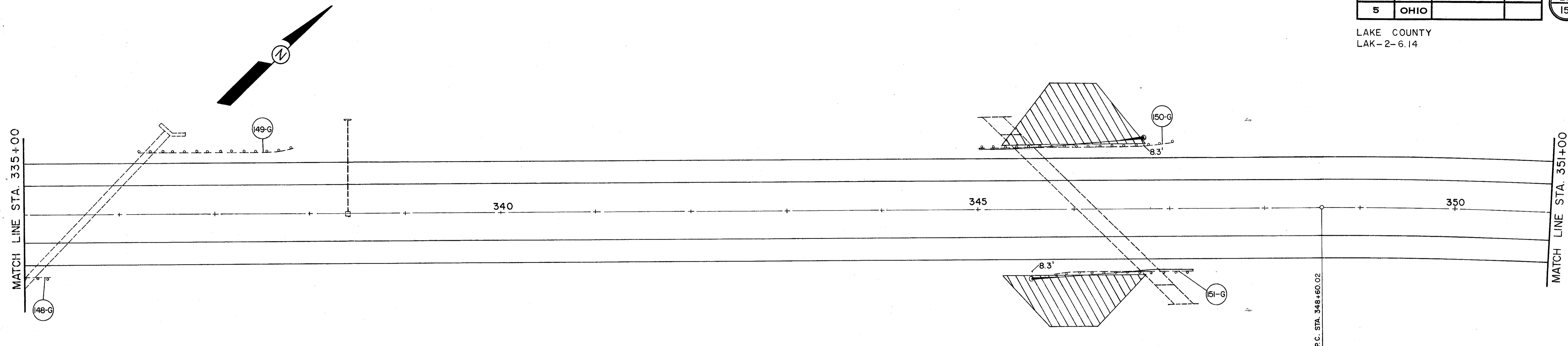


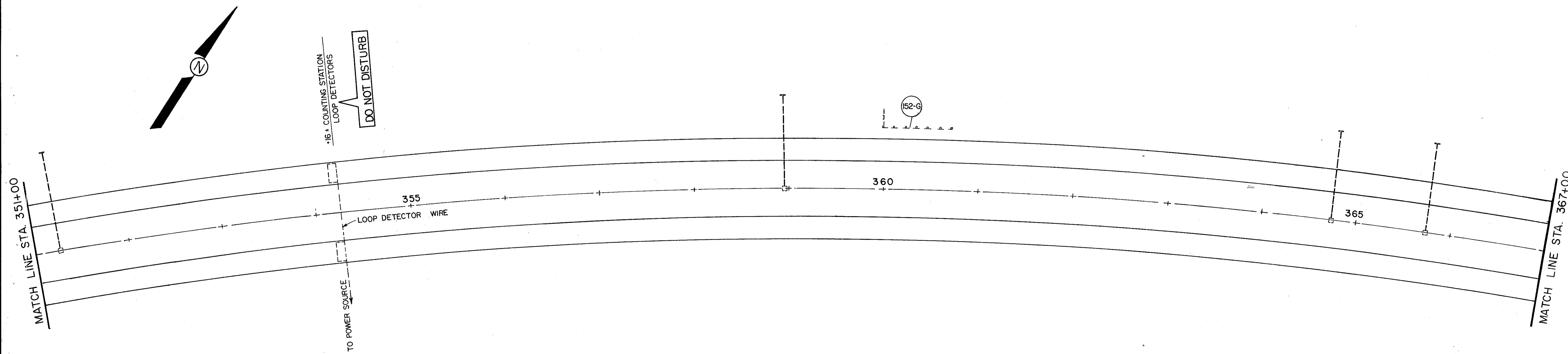
FHWA REGION	STATE	PROJECT	
5	OHIO		

28  
153

LAKE COUNTY  
LAK-2-6.14



FOR GUARDRAIL QUANTITIES SEE SHEET NO. 47



 AREA TO BE REGRADED, SEE CROSS SECTIONS