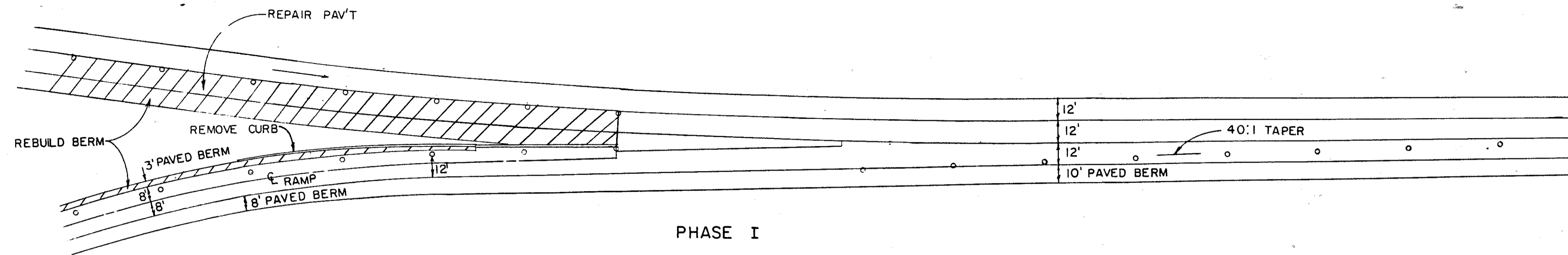


MAINTAINING TRAFFIC ENTRANCE TERMINAL

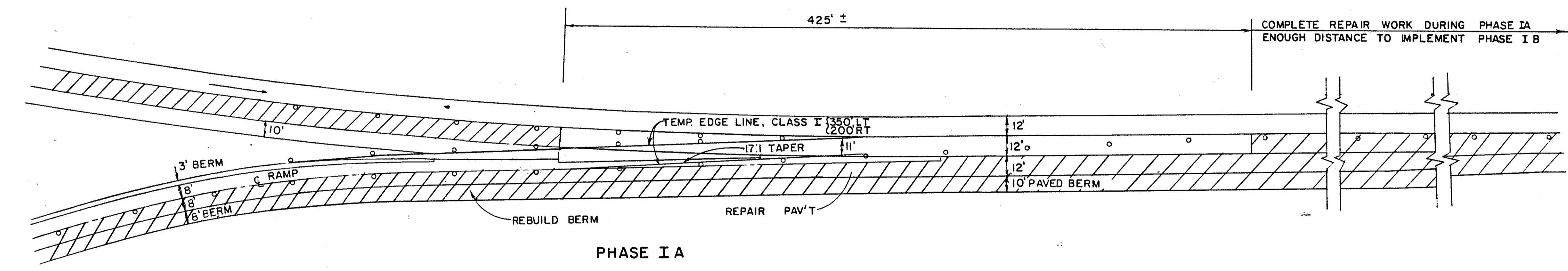
FHWA REGION	STATE	PROJECT
5	OHIO	

14
153

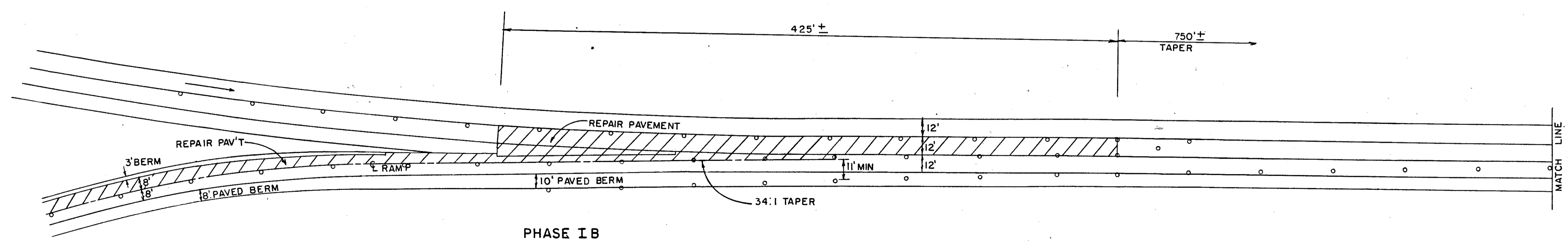
LAKE COUNTY
LAK-2-614



PHASE I



PHASE I A



PHASE I B

