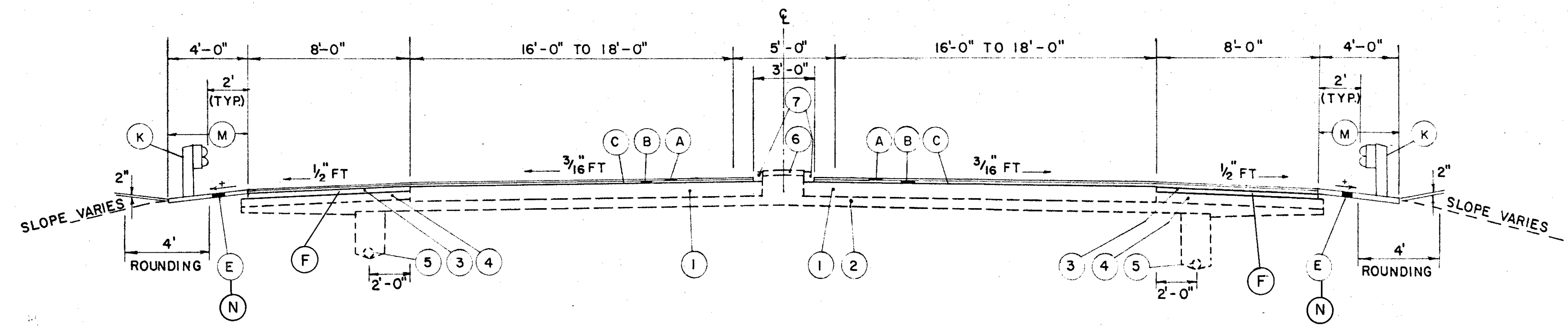


TYPICAL SECTIONS

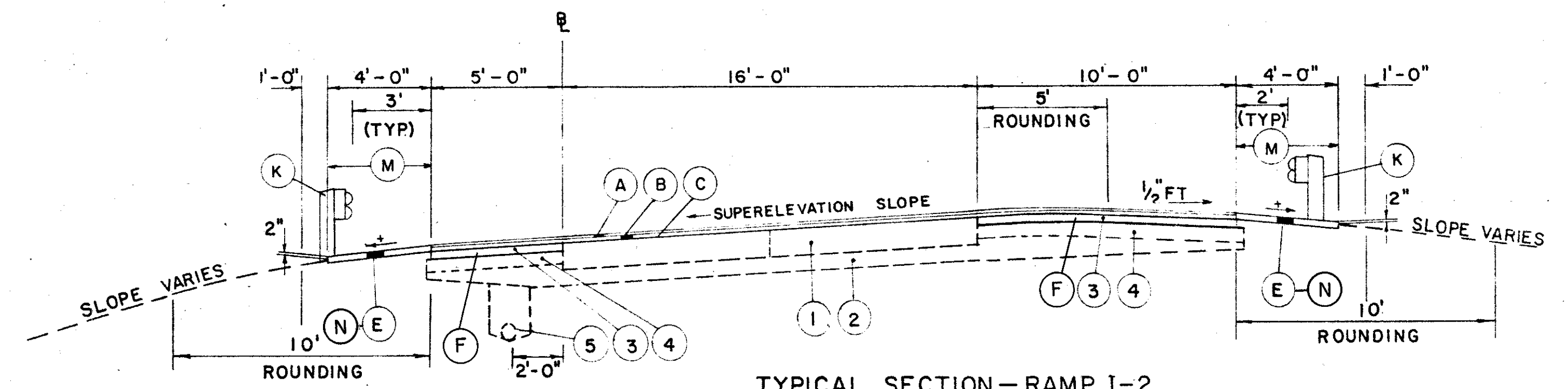
TYPE 846
SCALE IN FEET
0 1 2 4 6'

LAKE COUNTY
LAK - 2-6.14

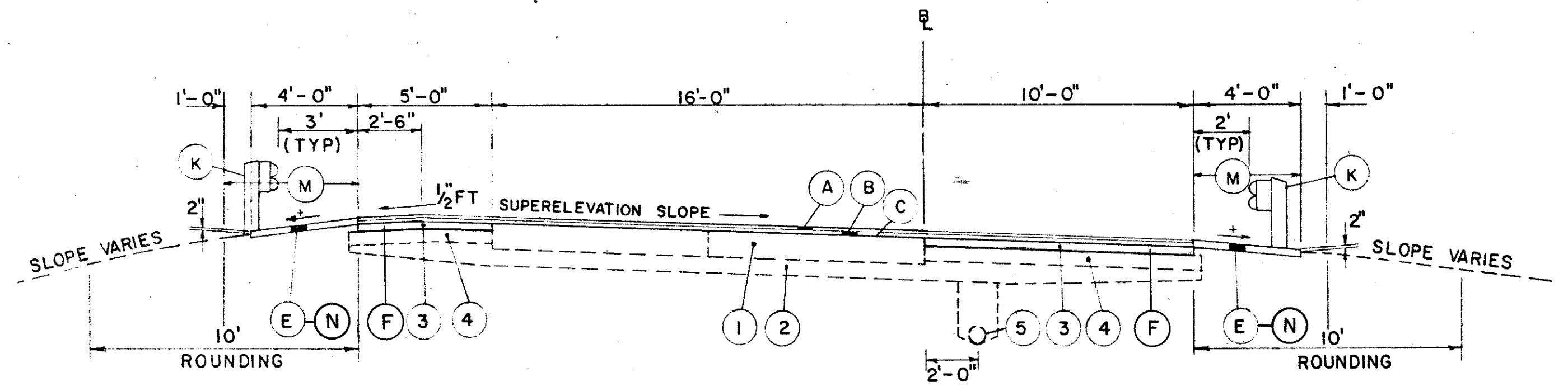
FOR TYPICAL SECTION NOTES AND
FOR PROPOSED AND EXISTING LEGENDS
SEE SHEET NO. 4
+ 1/2" / FT. MIN. SLOPE



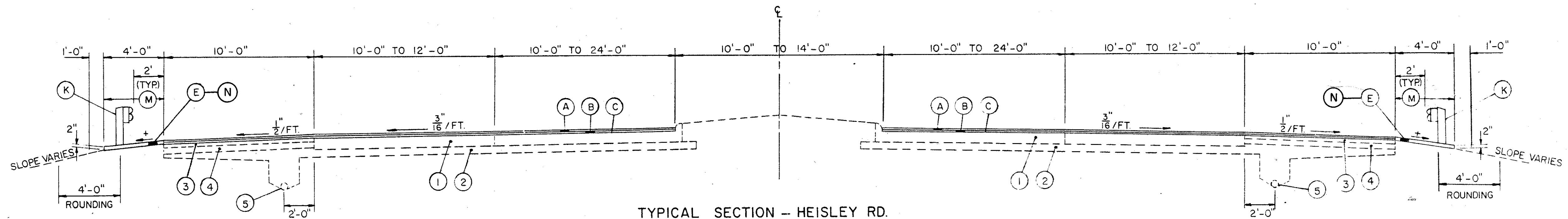
TYPICAL RAMP SECTION - TWO WAY RAMP
SR 306 INTERCHANGE
RAMP F-1 AND RAMP F-2
RAMP F-4 AND RAMP F-5



TYPICAL SECTION - RAMP I-2



TYPICAL SECTION - RAMP I-4



TYPICAL SECTION - HEISLEY RD.
STA. 23+35 TO STA. 28+10
STA. 31+88 TO STA. 36+47