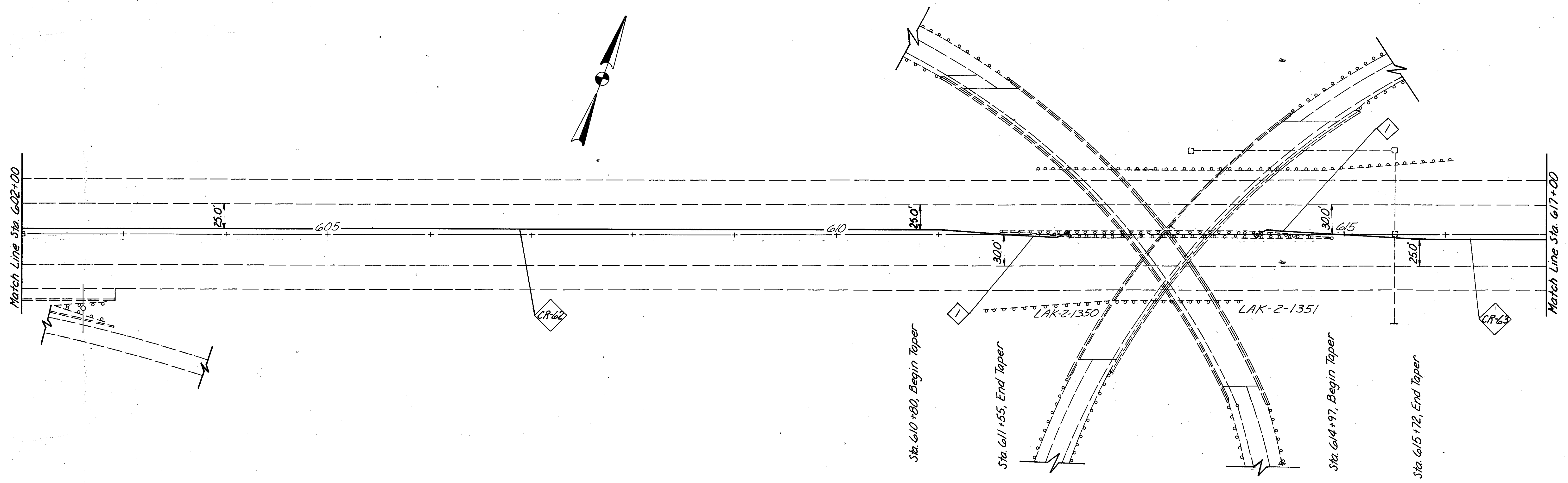


CALC
BY
DATE
CHKD
BY
DATE

Lake County
LAK-2-5.96

OHIO
FHWA
REGION 5

29
31



1 Cable Median Barrier To Guardrail
Transition, Type 1
See Detail Sht. 13

CR-62 CR-63 Cable Median Barrier
See Quantities Sht. 10
& Details Shts. 11-13.