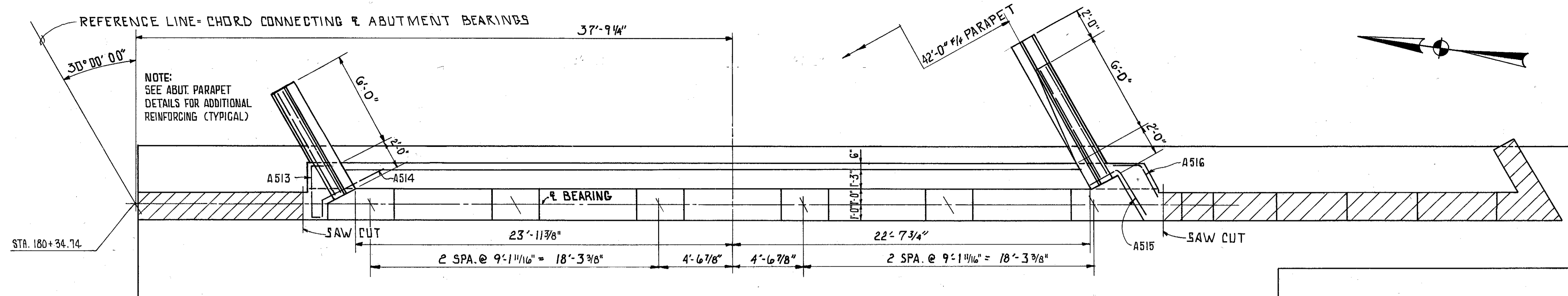
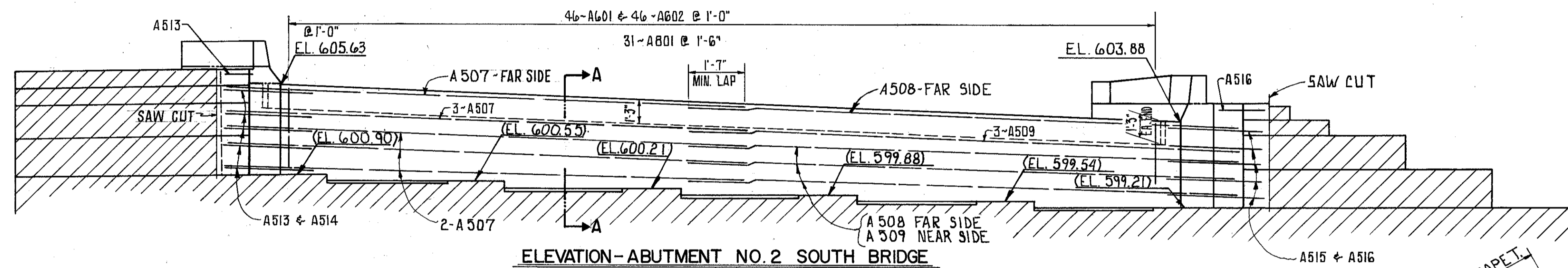


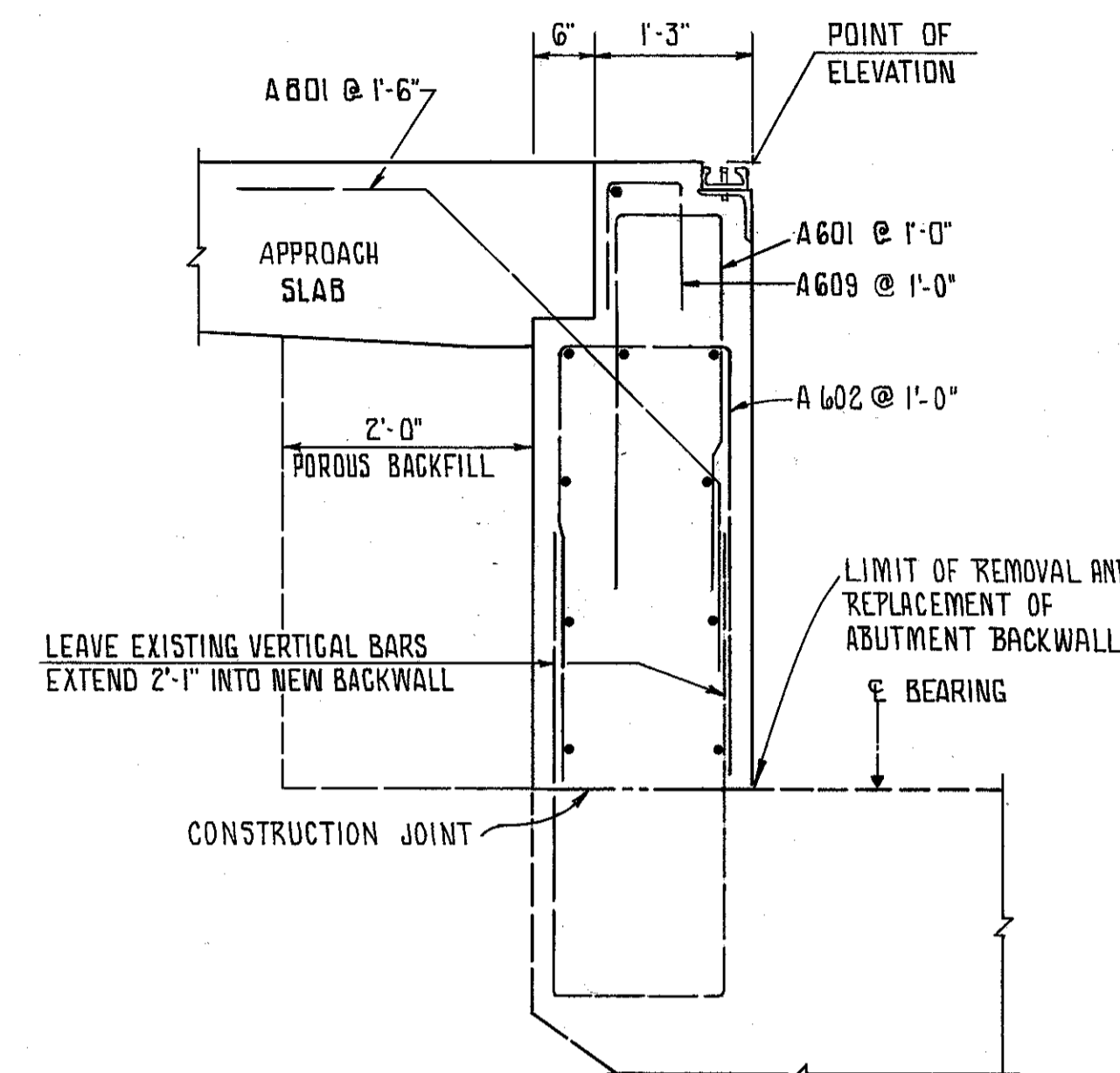
LAKE COUNTY
LAK-2-5.30



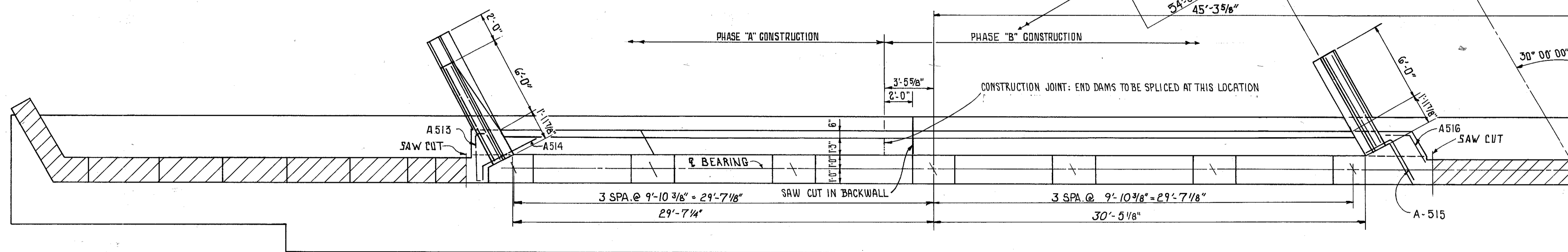
PLAN-ABUTMENT NO.2 SOUTH BRIDGE



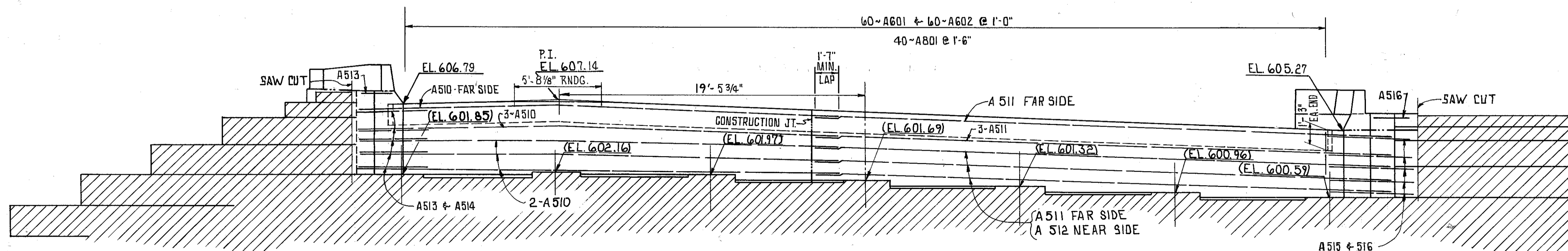
ELEVATION-ABUTMENT NO.2 SOUTH BRIDGE



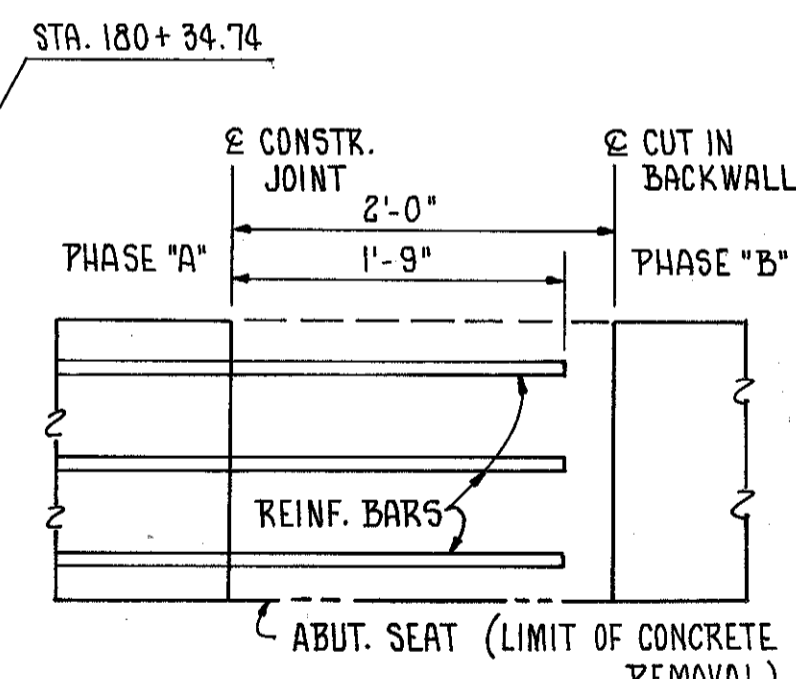
SECTION A-A



PLAN-ABUTMENT NO.2 NORTH BRIDGE



ELEVATION-ABUTMENT NO.2 NORTH BRIDGE



CONSTRUCTION JOINT DETAIL

MINIMUM BAR LAP
#6 = 1'-11"
#5 = 1'-7"

FRANKLIN CONSULTANTS INC.				6	8
Consulting Engineers					
COLUMBUS, OHIO					
ABUTMENT BACKWALL DETAILS					
BRIDGE No. LAK-2-0530					
S.R. 2 OVER CHAGRIN RIVER					
LAKE COUNTY S. R. 2					
DESIGNED	DRAWN	TRACED	CHECKED	REVIEWED	DATE
SM	HM	TP	MT	JF	1/16/80