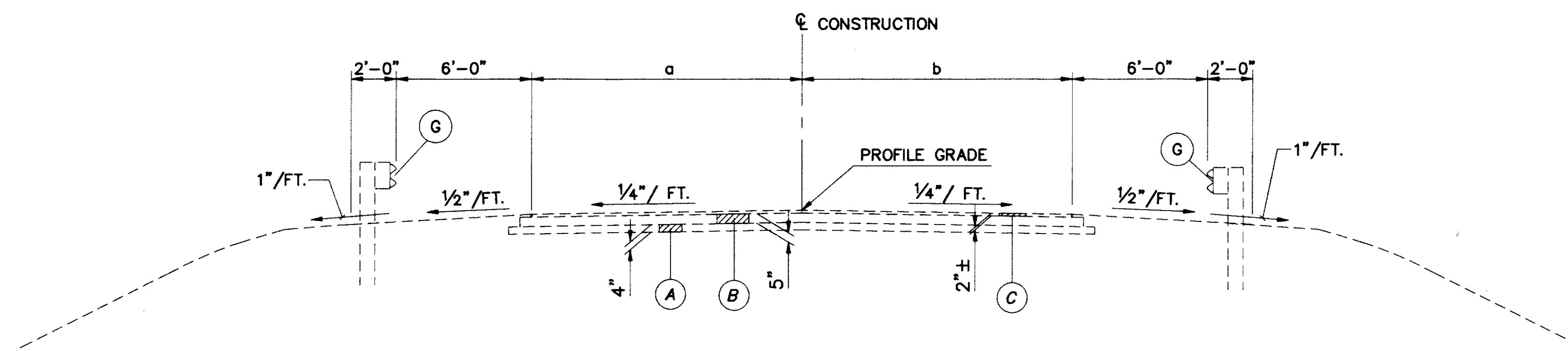
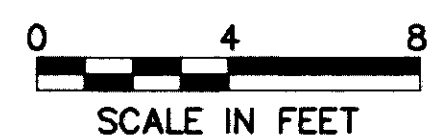


EXISTING TYPICAL SECTIONS

TYPE 404



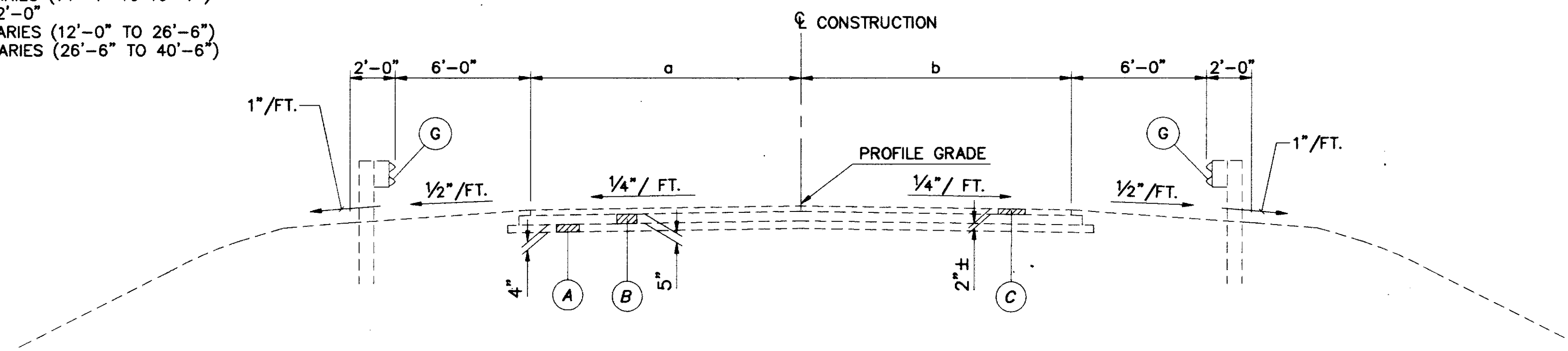
TAPERED SHOULDER SECTION

STA. 25+25.00 TO STA. 26+50.00 = 125.00 LIN. FT.
 STA. 30+40.00 TO STA. 30+65.00 = 25.00 LIN. FT.
 TOTAL = 150.00 LIN. FT.

- a. STA. 25+25.00 TO STA. 26+50.00 VARIES (6'-1" TO 10'-7")
 STA. 26+50.00 TO STA. 26+73.35 12'-0"
 STA. 30+07.19 TO STA. 30+40.00 VARIES (12'-0" TO 12'-11")
 STA. 30+40.00 TO STA. 30+65.00 VARIES (12'-11" TO 12'-9")
 b. STA. 25+25.00 TO STA. 26+50.00 VARIES (14'-4" TO 10'-7")
 STA. 26+50.00 TO STA. 26+73.35 12'-0"
 STA. 30+07.19 TO STA. 30+40.00 VARIES (12'-0" TO 26'-6")
 STA. 30+40.00 TO STA. 30+65.00 VARIES (26'-6" TO 40'-6")

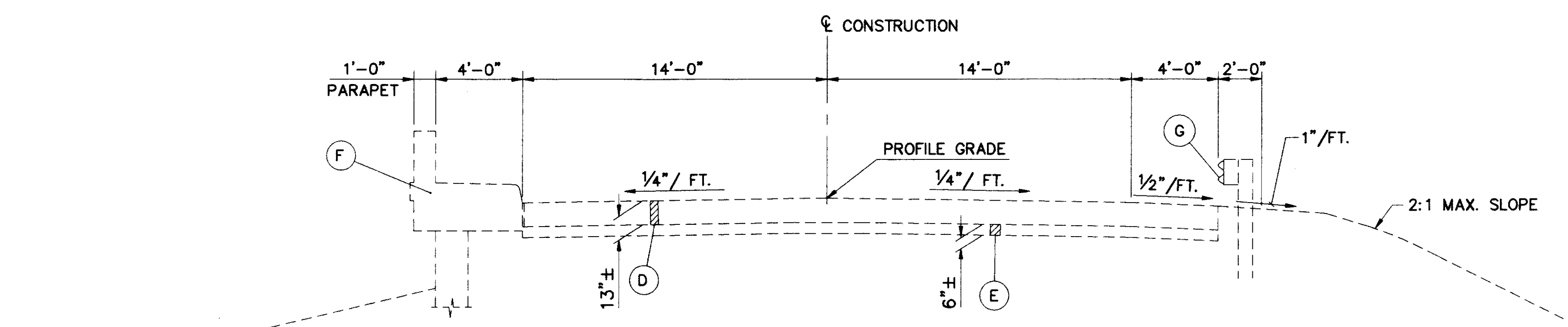
LEGEND

- (A) EXISTING 4" SUBBASE
- (B) EXISTING 5" AGGREGATE BASE COURSE
- (C) EXISTING ASPHALT SURFACE COURSE (2"± AVERAGE THICKNESS)
- (D) EXISTING REINFORCED CONCRETE APPROACH SLAB (13"± THICKNESS)
- (E) EXISTING SUBBASE (6"± AVERAGE THICKNESS)
- (F) EXISTING PARAPET
- (G) EXISTING GUARDRAIL



NORMAL SECTION

STA. 26+50.00 TO STA. 26+73.35 = 23.35 LIN. FT.
 STA. 30+07.19 TO STA. 30+40.00 = 32.81 LIN. FT.
 TOTAL = 56.16 LIN. FT.



NORMAL APPROACH SLAB SECTION

STA. 26+73.35 TO STA. 26+98.35 = 25.00 LIN. FT.
 STA. 29+82.19 TO STA. 30+07.19 = 25.00 LIN. FT.
 TOTAL = 50.00 LIN. FT.